

HONDA INSTALLATION INSTRUCTIONS

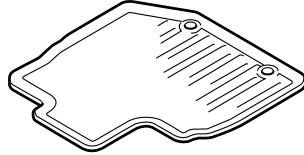
Accessory
ALL SEASON MATS

Application
2009 FIT

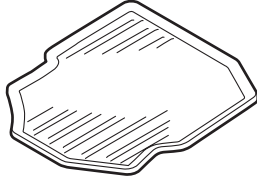
Publications No.
All 39831
Issue Date
AUG 2008

PARTS LIST

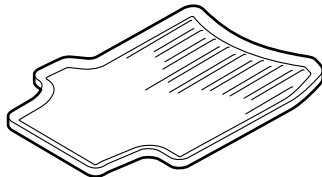
Driver's side all season mat



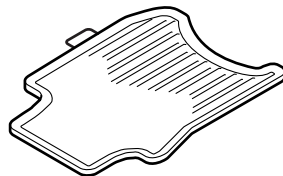
Passenger's side all season mat



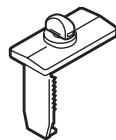
Left rear all season mat



Right rear all season mat



2 Anchors



TOOLS AND SUPPLIES REQUIRED

Utility knife

Scale

Clip remover (or flat-tip screwdriver)

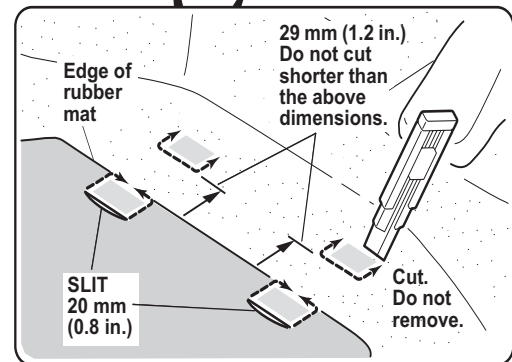
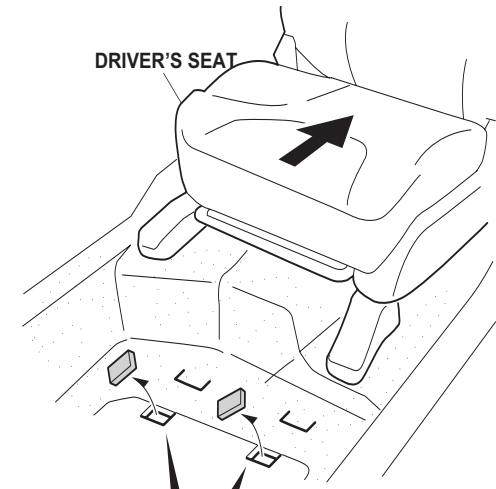
INSTALLATION

NOTE:

- Before installing the all season mats, identify their installation positions.
- Anchors are required for the driver's side of the vehicle; they prevent the all season mat from sliding forward and interfering with the pedals.
- If you remove the driver's side all season mat, make sure you reanchor it when you put it back in the vehicle.

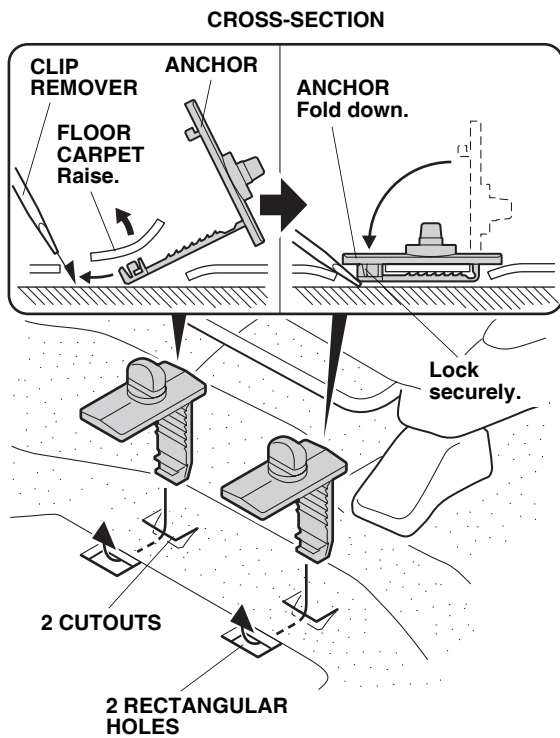
- If you replace the all season mats, use factory mats designed to be used with the anchors.
- Do not put the all season mat on top of the anchored mat. The additional mat may slide forward and interfere with the pedals.

1. Slide the driver's seat all the way back.
2. Locate the two slit marks on the rubber mat. Using a utility knife, cut back to the edge of the rubber mat and remove the rectangular piece of rubber mat.



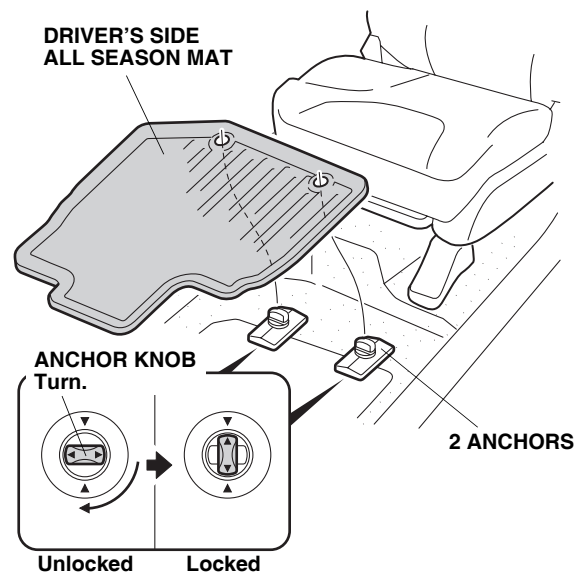
3. Locate the two recesses in the carpet. Using a utility knife, slit the carpet at the front of the recess. Do not cut out the piece between the recess and the rubber mat.

- Lift the floor carpet to create a space to insert the anchor between the floor carpet and insulator.

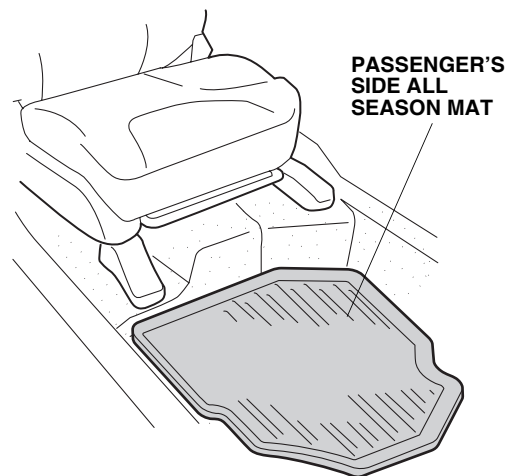


- Insert the two anchors into the two cutouts and move the lock tabs forward into the rectangular holes. If necessary, use a clip remover or equivalent tool to open the hole in the floor carpet.
- Fold the anchors down to lock them in place. Make sure the floor carpet is not caught in the anchor. Confirm that each anchor is locked securely.

- Place the driver's side all season mat over the anchors as shown.



- Turn the knobs on the anchors to secure the driver's side all season mat.
- Install the passenger's side all season mat.



10. Install the right and left rear all season mats.

