



INSTALLATION INSTRUCTIONS

Accessory
REAR SEAT COVERS
P/N 08P32-SCV-100

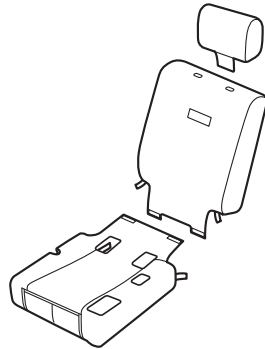
Application
2009 ELEMENT

Publications No.
All 40532
Issue Date
OCT 2008

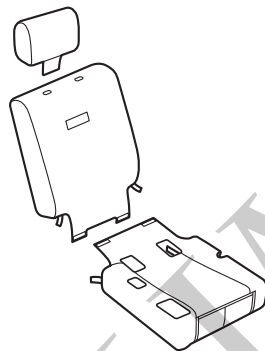
Put this information in the glove box with the vehicle Owner's Manual.

PARTS LIST

Right rear seat cover set



Left rear seat cover set

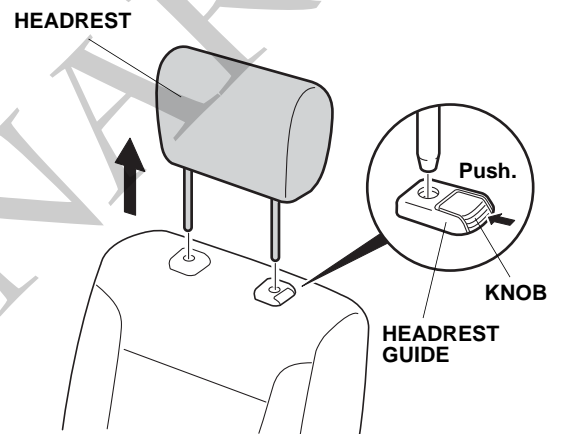


INSTALLATION

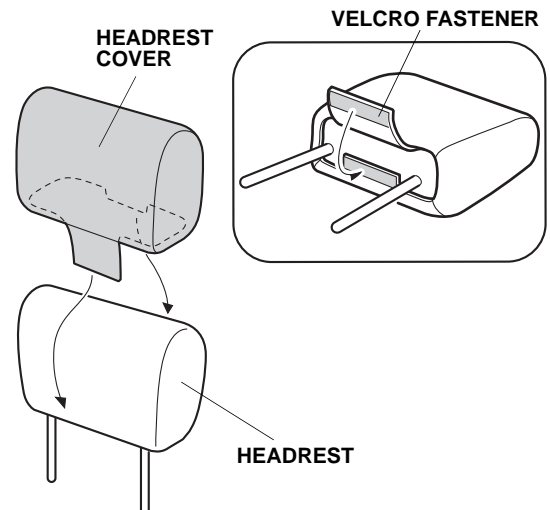
NOTE: Be careful not to damage the seats.

Installing the Headrest Cover

1. While pressing on the headrest guide knob, remove the headrest by pulling it upward.

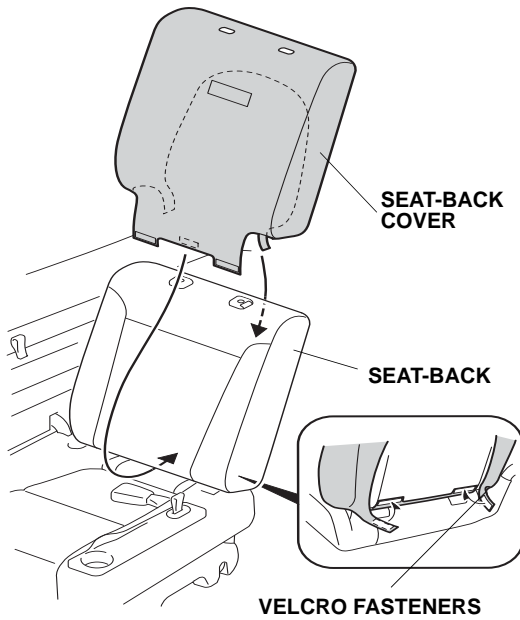


2. Fit the headrest cover over the headrest, and adjust it so that it fits smoothly over the edges. Secure the Velcro fastener.



Installing the Seat-back Cover

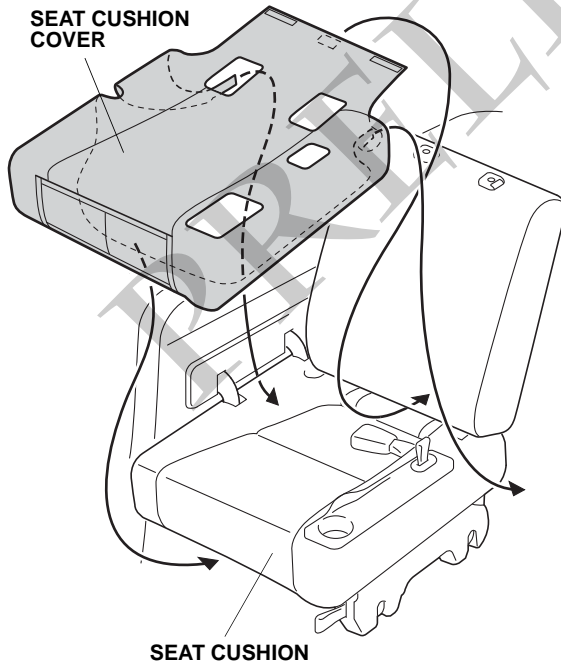
3. Fit the seat-back cover over the seat-back, and adjust it so that it fits smoothly over the edges. Secure the Velcro fasteners.



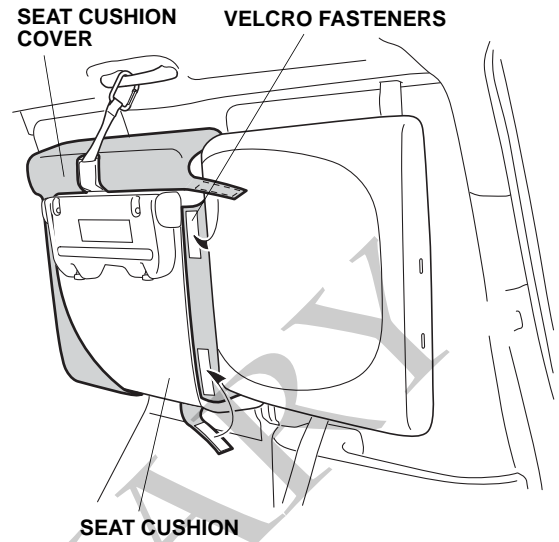
4. Reinstall the headrest.

Installing the Seat Cushion

5. Fit the seat cushion cover over the seat cushion, and adjust it so that it fits smoothly over the edges.



6. Lift the seat and secure it to the side with the seat strap.



7. Secure the seat cover with the Velcro fasteners.
8. Return the seat to the original position.
9. Repeat steps 1 through 8 to install the left rear seat cover.

USE AND CARE

To clean the seat covers, follow the instructions described on the label sewn to the side of the seat-back cover.