



INSTALLATION INSTRUCTIONS

Accessory
INTERIOR PRIVACY CURTAIN
P/N 08R13-SCV-101

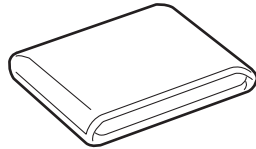
Application
2009 ELEMENT

Publications No.
All 40518
Issue Date
OCT 2008

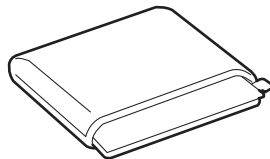
Put this information in the glove box with the vehicle owner's manual.

PARTS LIST

Front privacy curtain



Rear privacy curtain



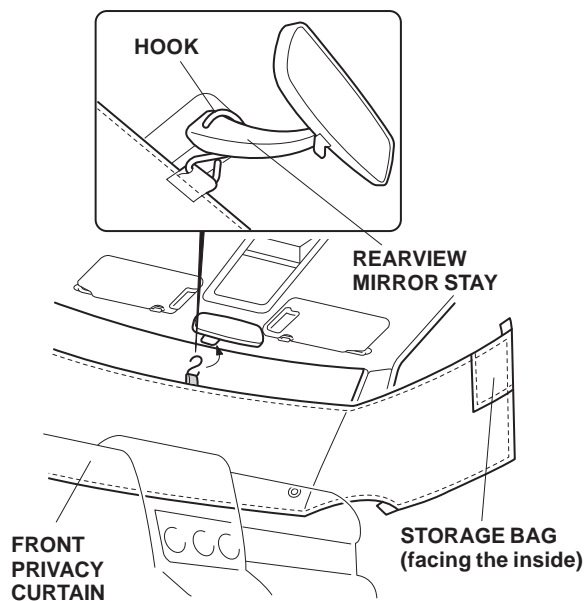
2 Suction clips



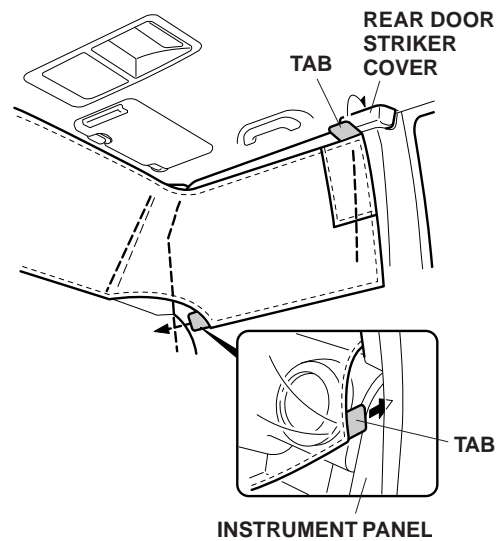
INSTALLATION

Installing the Front Privacy Curtain

1. Turn the storage bag inside out and spread it with the storage bag facing the inside.
2. Attach the one hook of the privacy curtain to the rearview mirror stay as shown.

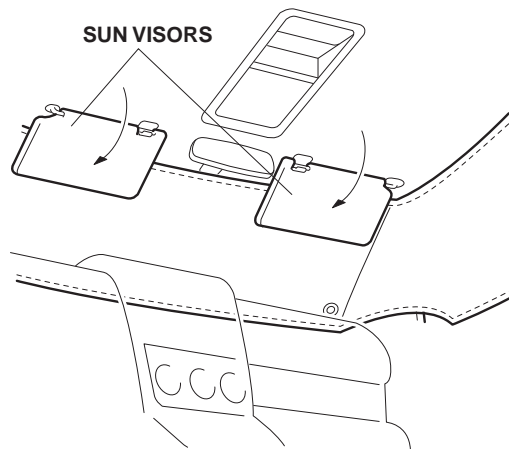


3. Spread the privacy curtain over the right front windshield and passenger's window. Slide the two tabs into the instrument panel and rear door striker cover.

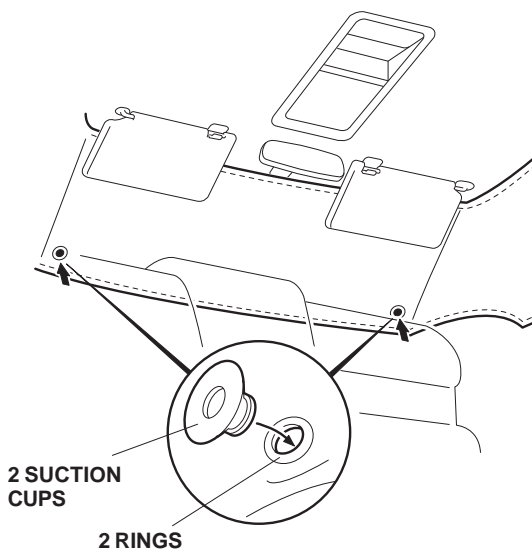


4. Repeat step 3 to install the privacy curtain on the left side of the vehicle.

- Lower the right and left sun visors to hold the privacy curtain in position.



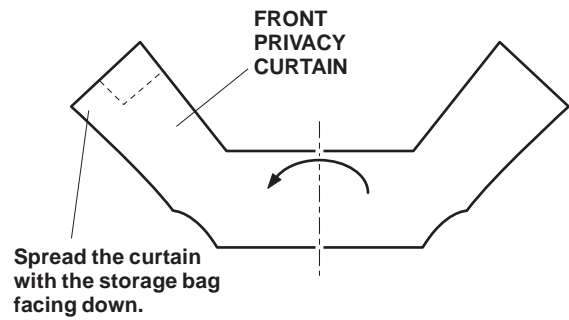
- Push the suction cups into the right and left rings on the curtain and attach them to the front windshield.



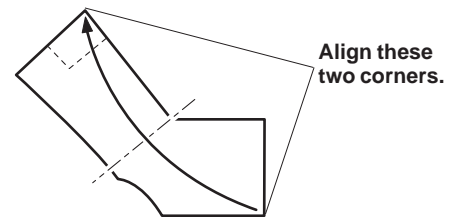
Storing the Front Privacy Curtain

Fold the curtain and store it in the storage bag sewn to the curtain as described:

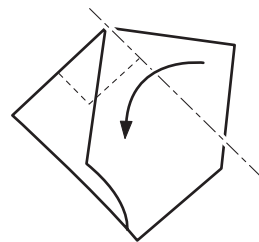
- Spread the curtain with the storage bag facing down, then fold the curtain in half.



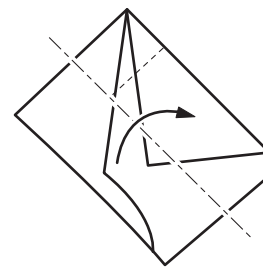
- Align the two corners, then fold the curtain as described.



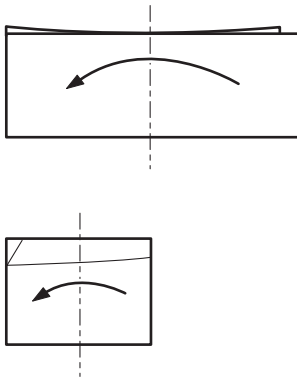
- Fold back the corner of the curtain.



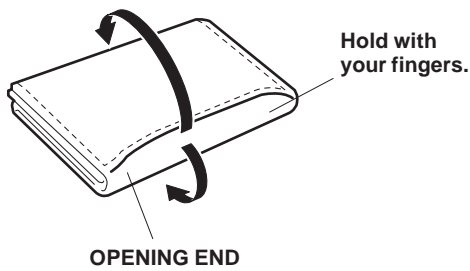
- Fold the curtain from the center.



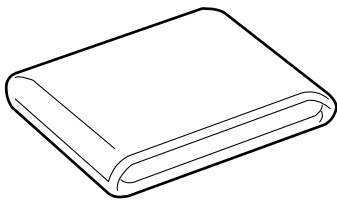
11. Further fold the curtain from the center in half.



12. Turn the curtain inside out. While holding the corner of the storage bag with your fingers, fold back the opening end of the storage bag in the directions shown.

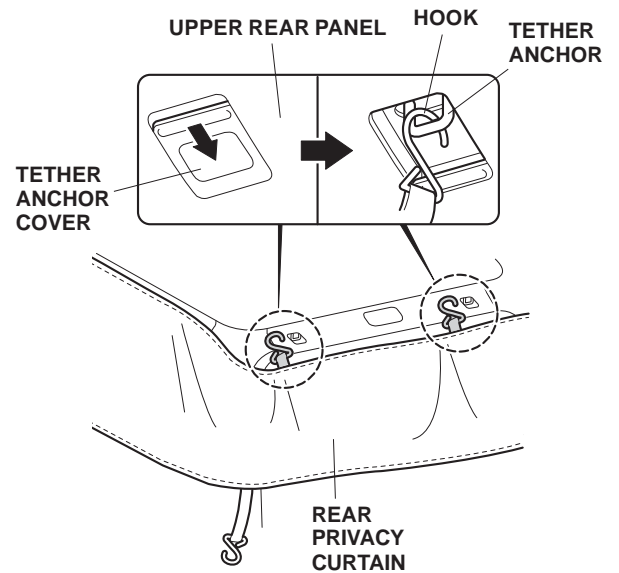


13. The curtain is now stored in the storage bag sewn to the privacy curtain.

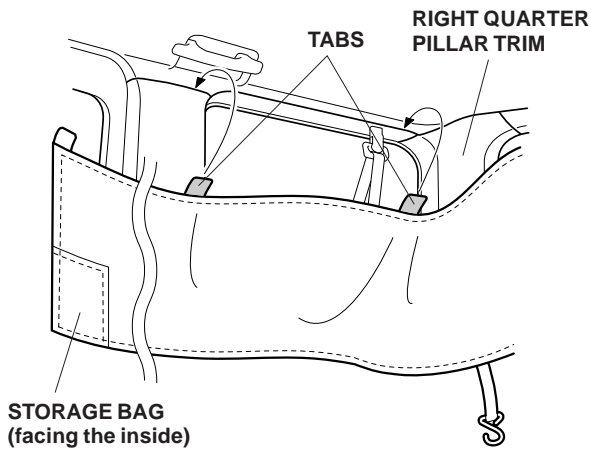


Installing the Rear Privacy Curtain

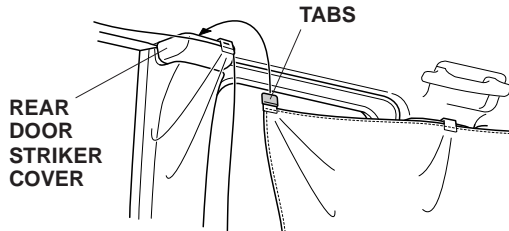
14. Turn the storage bag inside out and spread the rear privacy curtain with the storage bag facing the inside.
15. Open the tether anchor cover of the upper rear panel and connect the two hooks of the rear privacy curtain with the tether anchor.



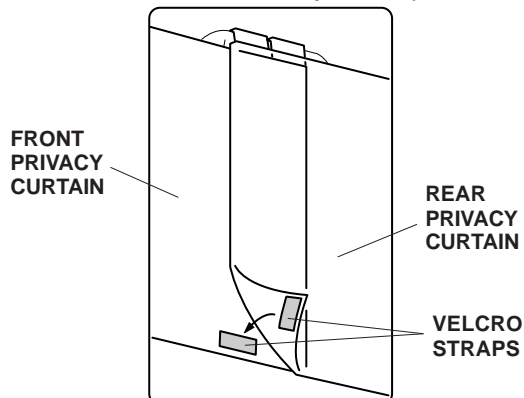
16. Spread the privacy curtain over the right quarter glass, then slide the two tabs into the right quarter pillar trim as shown.



17. Slide the remaining tab into the rear door striker cover. If you are also installing the front privacy curtain, cross the tabs so that both curtains overlap each other, and secure it with the velcro straps as shown.

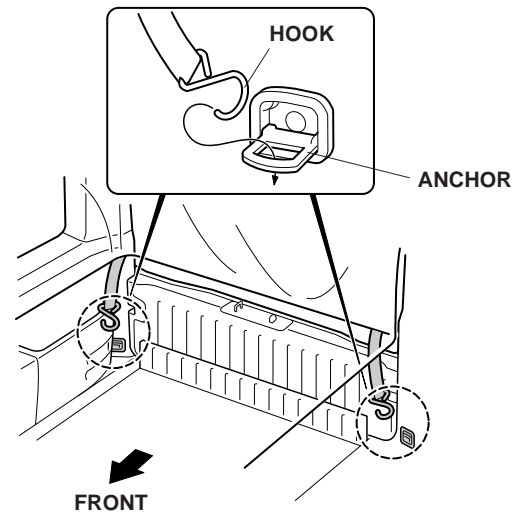


(If You Are Also Installing the Front Privacy Curtain)



18. Repeat steps 16 and 17 to install the rear privacy curtain on the left side of the vehicle.

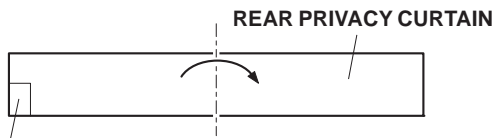
19. Engage the two hooks of the rear privacy curtain with the anchors in the cargo area.



Storing the Rear Privacy Curtain

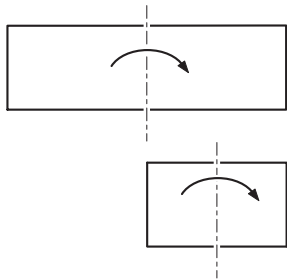
Fold the curtain and store it in the storage bag sewn to the curtain as described.

20. Spread the curtain with the storage bag facing up, then fold it in two from the center.

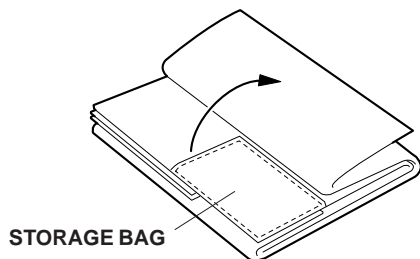


Spread the curtain with the storage bag facing up.

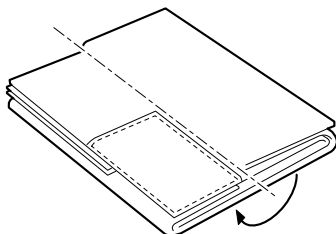
21. Again fold the curtain in two from the center.



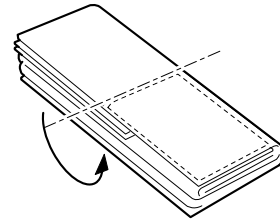
22. Turn the curtain inside out, then fold back the top sheet as described.



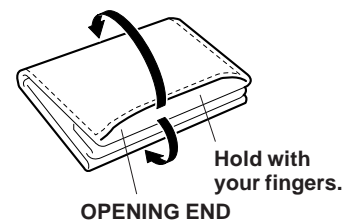
23. Further fold the curtain from the center.



24. Fold the curtain in two from the center once again.



25. While holding the corner of the storage bag with your finger, fold back the opening end of the storage bag in the directions shown.



26. The rear privacy curtain is now stored in the storage bag.

