



# INSTALLATION INSTRUCTIONS

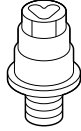
Accessory  
**ENGINE BLOCK HEATER**  
P/N 08T44-SNA-100

Application  
**2009 ELEMENT**

Publications No.  
**All 40510**  
Issue Date  
**OCT 2008**

## PARTS LIST

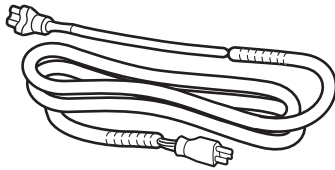
Engine block heater



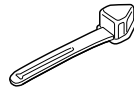
Aluminum washer



Heater harness



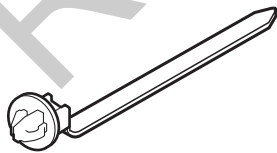
Protective cap



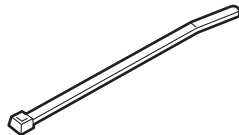
12 Black wire ties  
(2 Not used)



7 Wire ties with clip  
(6 Not used)



5 White wire ties  
(3 Not used)



## TOOLS AND SUPPLIES REQUIRED

Phillips screwdriver

10 mm, 12 mm, and 24 mm Sockets

100 mm Extension

Torque wrench

Diagonal cutters

Honda All Season Antifreeze/Coolant Type 2

White marker

Tape measure

10 mm Hexagon wrench

Heavy gloves

Drain pan

Fender cover

Clip remover

NOTE: Using longer extension may damage the engine block heater while torquing.

## INSTALLATION

### NOTE

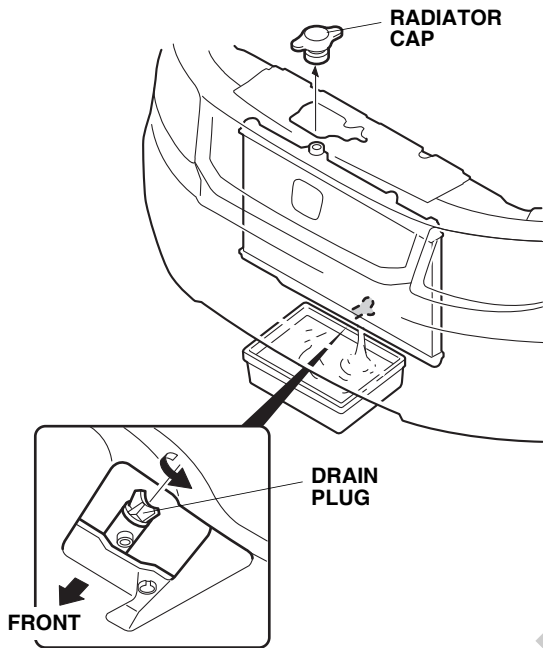
- Always use Honda All Season Antifreeze/Coolant Type 2. Using a non-Honda coolant can result in corrosion, causing the cooling system to malfunction or fail.
- To avoid burning out the element, do not operate the engine block heater before it is installed in the vehicle and before you add coolant.

**Customer Information:** The information in this installation instruction is intended for use only by skilled technicians who have the proper tools, equipment, and training to correctly and safely add equipment to your vehicle. These procedures should not be attempted by "do-it-yourselfers."

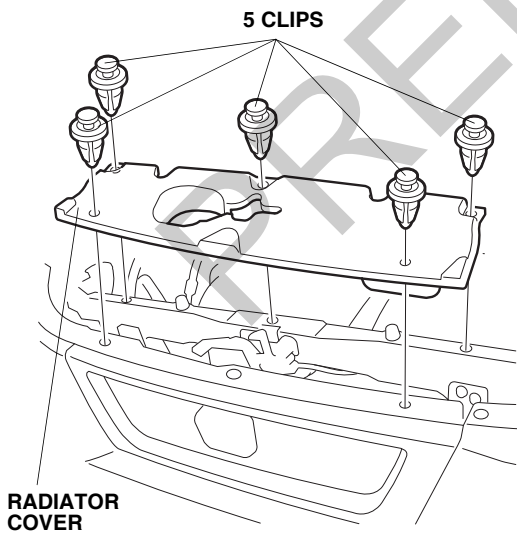
1. Disconnect the negative cable from the battery.
2. Allow the engine and all cooling system components to cool down.

- Place a clean drain pan under the radiator drain plug, then remove the drain plug from the bottom of the radiator to drain the coolant. Remove the radiator cap to increase the flow.

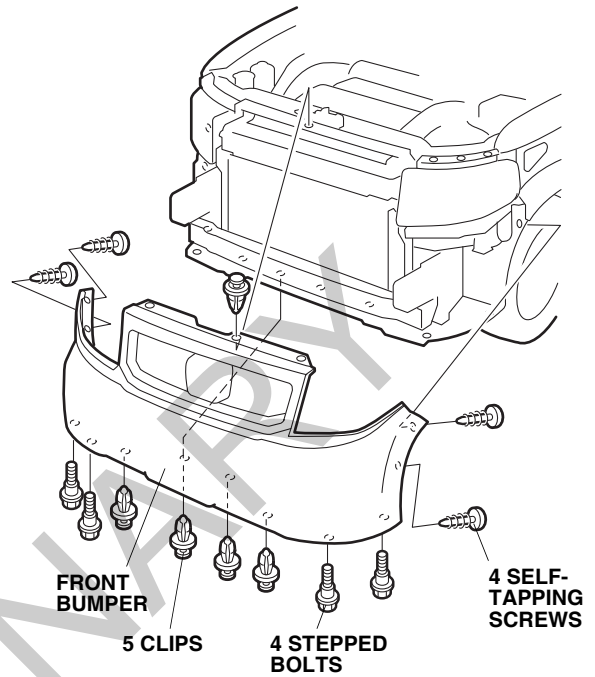
**NOTICE:** Radiator coolant will damage paint. Quickly rinse any spilled coolant from painted surfaces.



- Remove the radiator cover (five clips).



- Remove the front bumper (five clips, four stepped bolts, and four self-tapping screws). Have an assistant help you when removing and installing the front bumper.



- With the vehicle on a lift, remove the heat baffle from the engine (two bolts).

