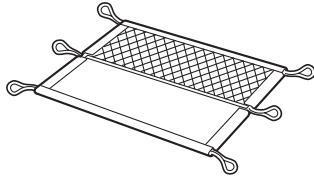


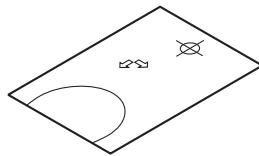
<b>Accessory</b> <b>ADVANCED CARGO NET</b> <b>P/N 08L96-SCV-100A</b>	<b>Application</b> <b>2009 ELEMENT</b>	<b>Publications No.</b> <b>All 40504</b>
		<b>Issue Date</b> <b>OCT 2008</b>

## PARTS LIST

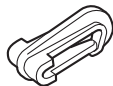
Cargo net



Template



4 Snaps



4 Anchors



2 Plain washers



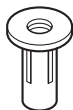
2 Spring washers



2 Bolts



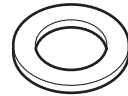
2 Rivet nuts



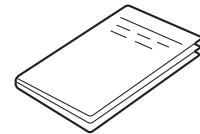
2 Stud bolts



2 Spacers



Accessory User's Information Manual



## TOOLS AND SUPPLIES REQUIRED

Felt-tip pen

Scale

Drill

3 mm, 6.5 mm, and 10 mm Drill bits

Eye protection (face shield, safety goggles, etc.)

Masking tape

Pushpin

Rivet Nut Tool (P/N 07AAE-000A100)

19 mm Wrench

Hex wrench

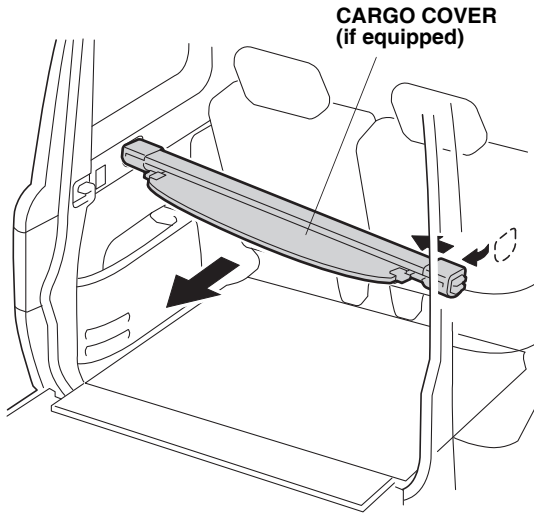
Torque wrench

## INSTALLATION

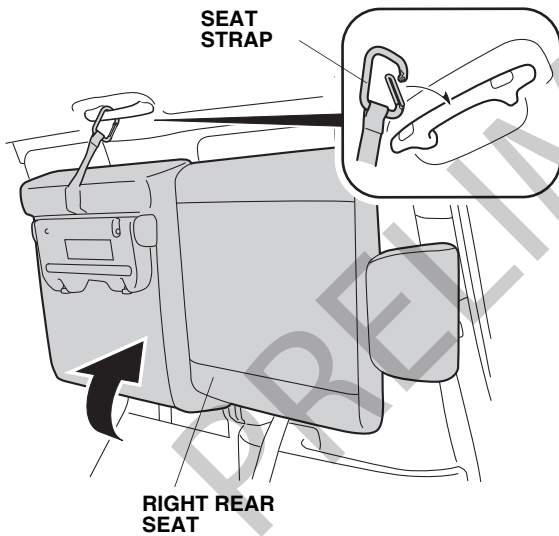
**Customer Information:** The information in this installation instruction is intended for use only by skilled technicians who have the proper tools, equipment, and training to correctly and safely add equipment to your vehicle. These procedures should not be attempted by "do-it-yourselfers."

**NOTE:** Be extremely careful not to damage the interior panel.

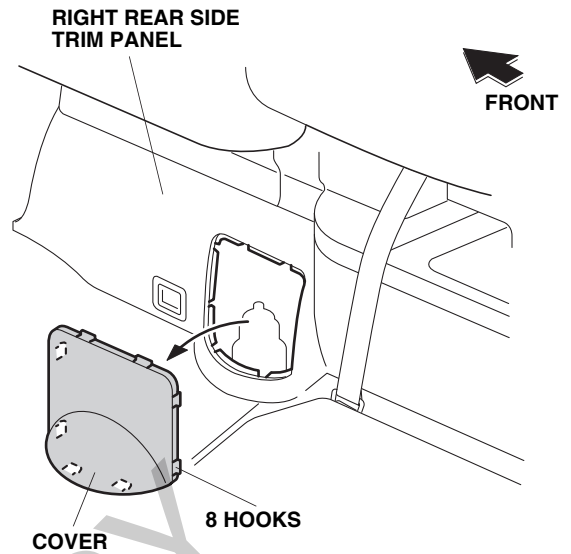
1. Open the upper and lower tailgates.



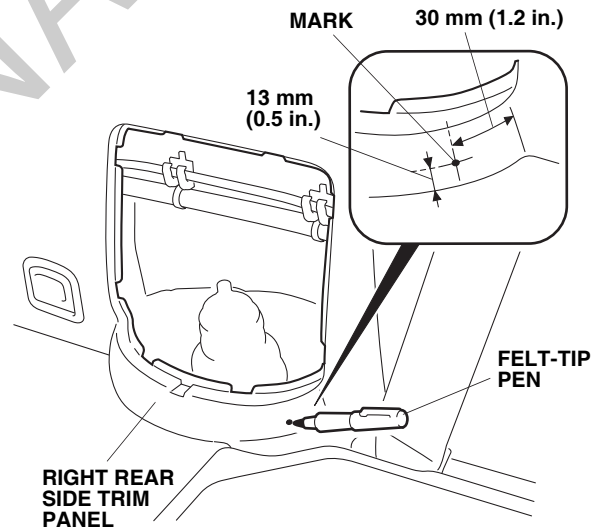
2. Remove the cargo cover (if equipped).
3. Lift the right rear seat and secure it with the seat strap.



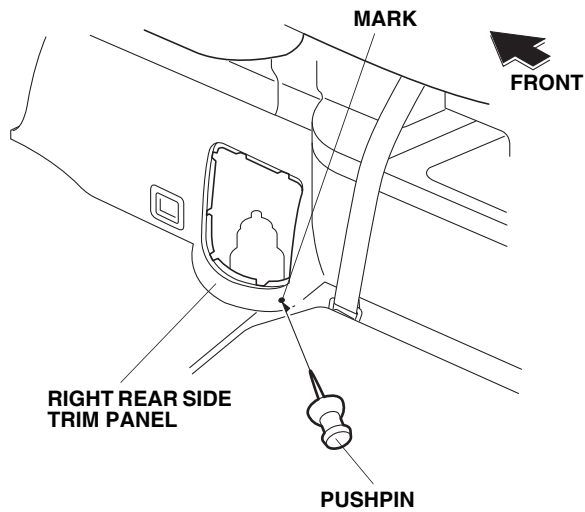
4. Remove the cover from the right rear side trim panel (eight hooks).



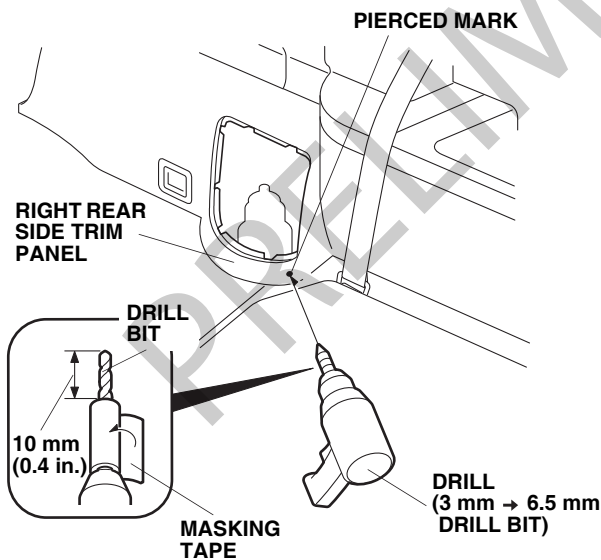
5. Using a felt-tip pen, mark the right rear side trim panel at the measurement shown.



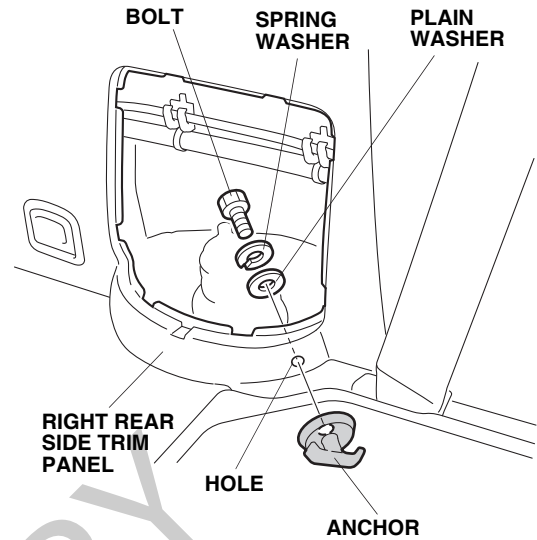
6. Using a pushpin, pierce the mark on the right rear side trim panel.



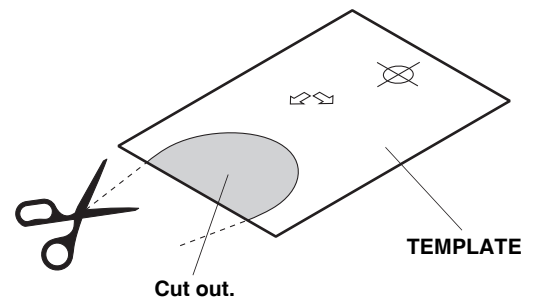
7. While wearing eye protection, drill the pierced mark to 6.5 mm.
- Wrap the tip of each drill bit with the electrical tape 10 mm from the tip.
  - First drill with a 3 mm drill bit, and finish with a 6.5 mm drill bit.
  - Remove all burrs from the hole.



8. Install the anchor to the hole of the right rear side trim panel with one bolt, one spring washer, and one plain washer.

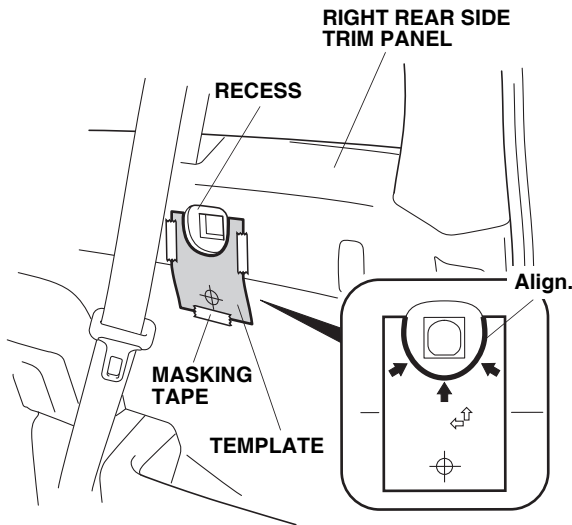


9. Using scissors, cut out the template.

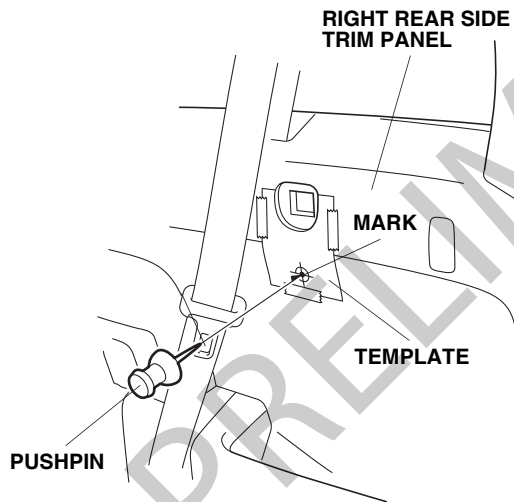


10. Unhook and place the seat in the down position.

11. Align the template with the recess of the right rear side trim panel. Tape the template to the right rear side trim panel using masking tape.

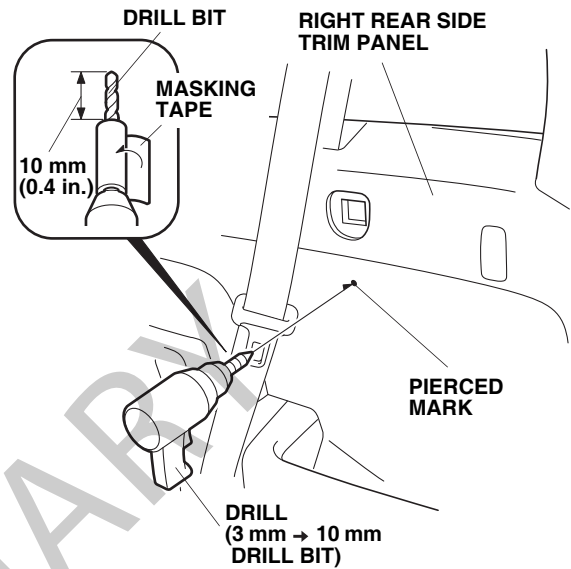


12. Using a pushpin, pierce the right rear side trim panel at the mark in the template.

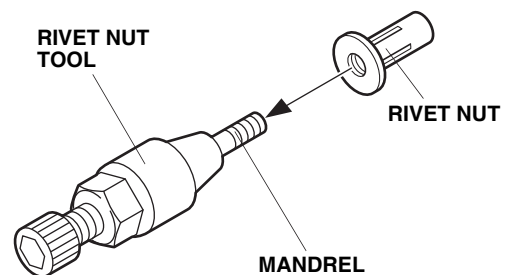


13. Remove the template.

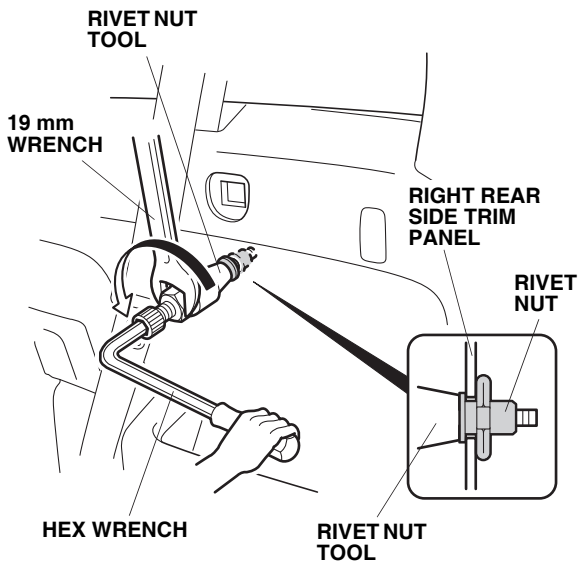
14. While wearing eye protection, drill the pierced mark to 10 mm.
- Wrap the tip of each drill bit with the electrical tape to 10 mm from the tip.
  - First drill with a 3 mm drill bit, and finish with a 10 mm drill bit.
  - Remove all burrs from the hole.



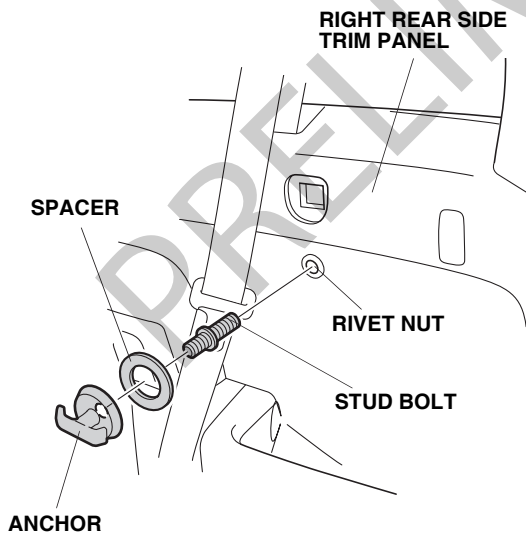
15. Thread the rivet nut onto the mandrel of the rivet nut tool as shown.



16. Insert the rivet nut into the hole in the right rear side trim panel, and attach the hex wrench to the rivet nut tool.



17. While holding the rivet nut tool with the hex wrench, and turn the 19 mm wrench counterclockwise to install the rivet nut to the right rear side trim panel.
18. Remove the rivet nut tool from the rivet nut by turning the hex wrench counterclockwise.
19. Install the anchor and spacer to the rivet nut on the right rear side trim panel with one stud bolt.



20. Repeat steps 3 through 19 to install the remaining anchors on the left rear side trim panel.