



INSTALLATION INSTRUCTIONS

Accessory
WATER BOWL

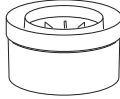
Application
**2009 ELEMENT
(DOG FRIENDLY PACKAGE)**

Publications No.
All 43055

Issue Date
NOV 2009

PARTS LIST

Water bowl



Bowl support



Self-tapping screw

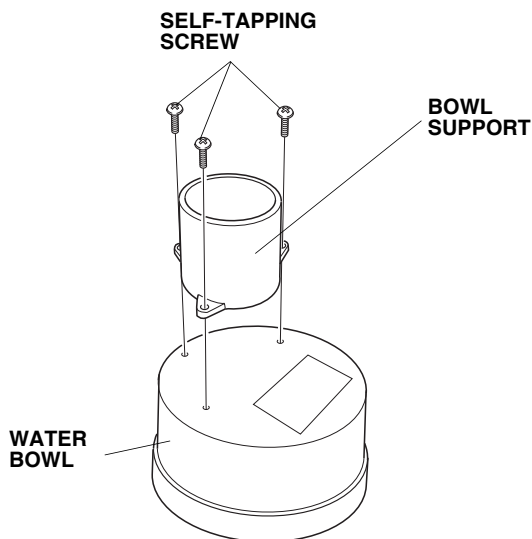


4 Adhesive strips (not used)



INSTALLATION

1. Place the bowl support on the bottom of the water bowl as shown, and install the three self-tapping screws. Do not over-tighten the self-tapping screws.



2. Place the water bowl into its holder inside the kennel.

CLEANING

Clean the water bowl using soap and water the same way you would clean food storage containers. The water bowl can also be washed in a dishwasher by unsnapping the top and placing both pieces on the upper rack of the dishwasher.