



INSTALLATION INSTRUCTIONS

Accessory
**EXTENDABLE PET
LOADING RAMP**

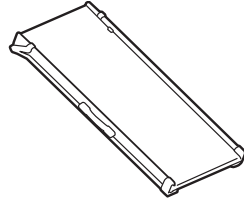
Application
**2009 ELEMENT
(DOG FRIENDLY PACKAGE)**

Publications No.
All 43051
Issue Date
NOV 2009

Put this information in the glove box with the vehicle owner's manual.

PARTS LIST

Extendable pet loading ramp



Bungee cord

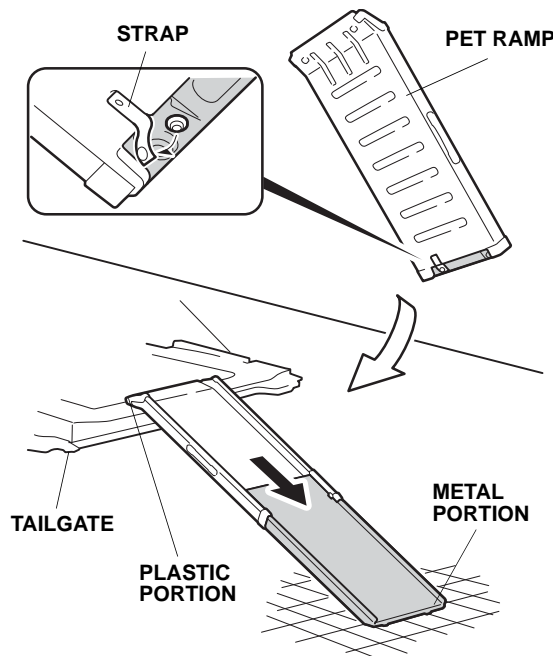


INSTALLATION

NOTE:

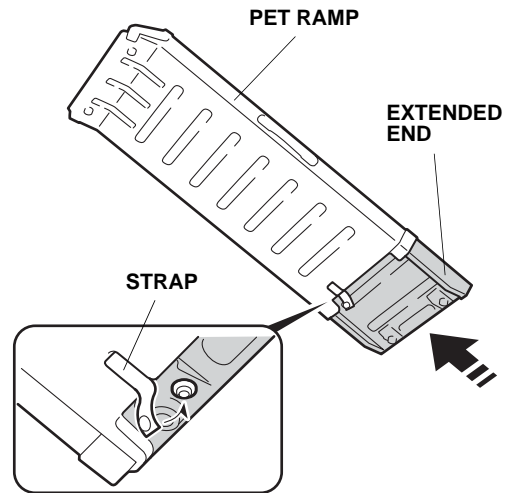
- This loading ramp should only be used with a Honda Element.
- The loading ramp is specially designed for loading and unloading pets, and should not be used for any other purpose.
- If the loading ramp gets wet, thoroughly dry the ramp before storing it in the vehicle.

1. Remove the bungee cord. Unhook the strap, and extend the loading ramp.

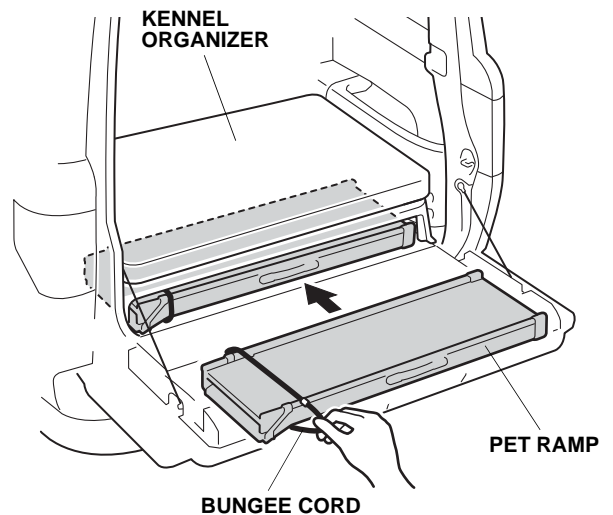


2. Place the plastic portion of the loading ramp on the tailgate, and the extended metal portion on stable level ground.

3. When finished using the loading ramp, slide the extended end into the top. Attach the strap to secure the two halves together.



4. Wrap the bungee cord around the loading ramp, and place the loading ramp under the kennel organizer in the direction shown.



CLEANING INSTRUCTIONS

Clean the loading ramp with mild dishwashing soap and water. Thoroughly dry the loading ramp before storing it in the vehicle.