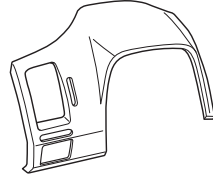
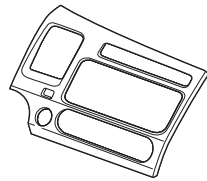


## PARTS LIST

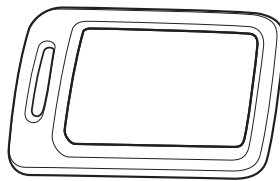
Meter panel



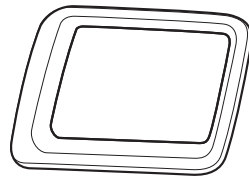
Center panel



Outlet panel A



Outlet panel B



## TOOLS AND SUPPLIES REQUIRED

Isopropyl alcohol

Shop towel

Masking tape

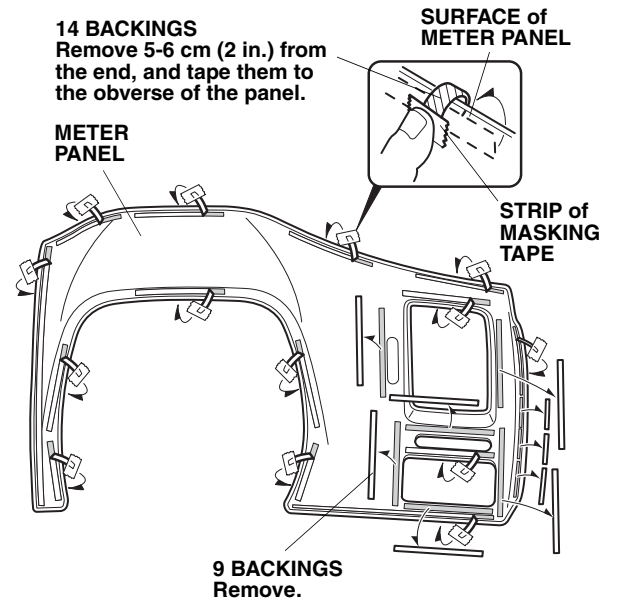
## INSTALLATION

### NOTE:

- Be extremely careful not to damage the interior panel.
- The panel kit should be installed only if the ambient air temperature is above 15°C (60°F). Heat the interior panels and bonding surfaces with a hair dryer set on LOW if the ambient air temperatures is below.

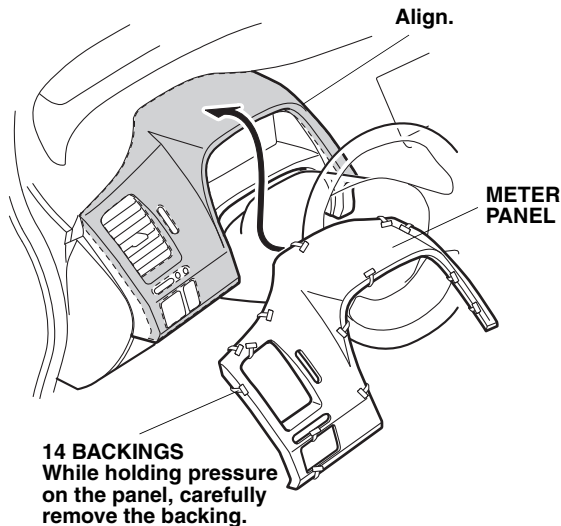
## Installing the Meter Panel

1. Using isopropyl alcohol on a shop towel, clean the area where the meter panel will attach.



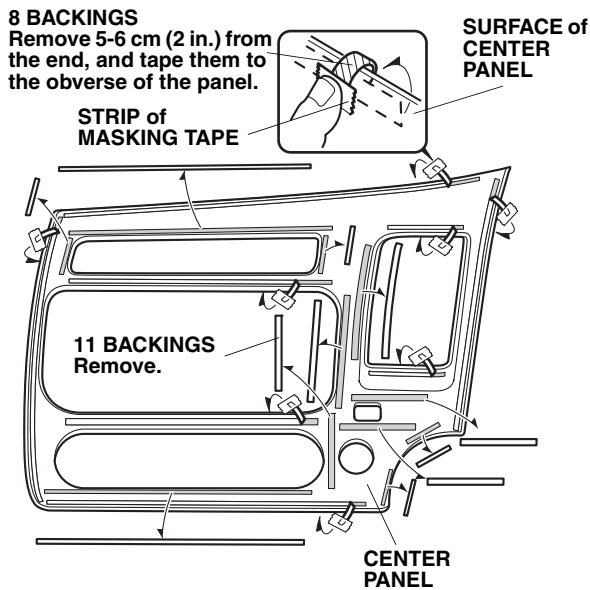
2. Attach a strip of masking tape to the end of each shaded backing. Peel back 5-6 cm (2 in.) of the backings and fold them over as shown. Temporarily attach the strips of masking tape to the obverse of the meter panel. Remove all remaining backings from the meter panel.

- Position the meter panel on the existing meter panel. While holding pressure on the meter panel, carefully remove the backings from the meter panel. Hold the meter panel firmly against the existing meter panel with the palm of your hand, particularly at the edges.



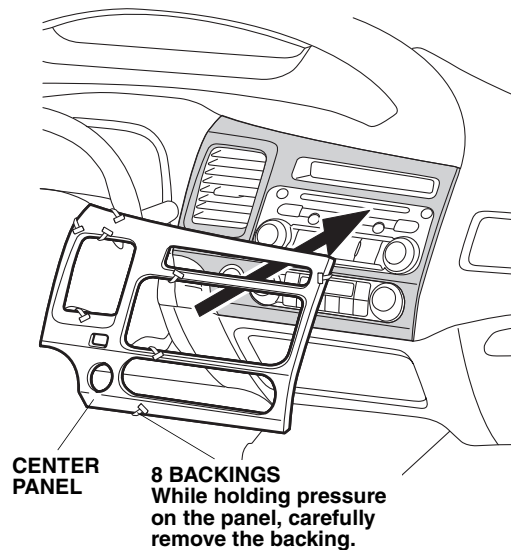
### Installing the Center Panel

- Using isopropyl alcohol on a shop towel, clean the area where the center panel will attach.



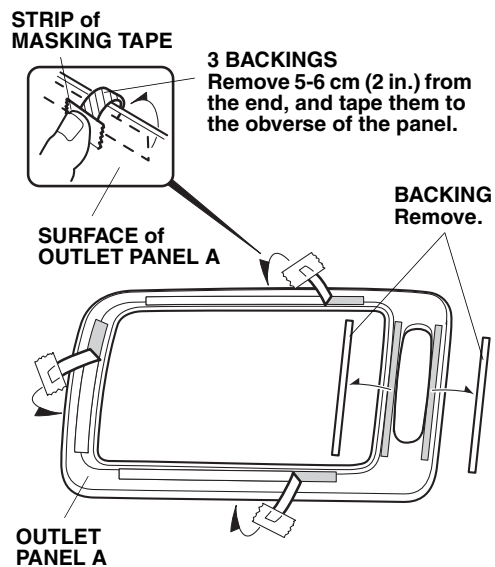
- Attach a strip of masking tape to the end of each shaded backing. Peel back 5-6 cm (2 in.) of the backings and fold them over as shown. Temporarily attach the strips of masking tape to the obverse of the center panel. Remove all remaining backings from the center panel.

- Position the center panel on the existing center panel. While holding pressure on the center panel, carefully remove the backings from the center panel. Hold the center panel firmly against the existing center panel with the palm of your hand, particularly at the edges.



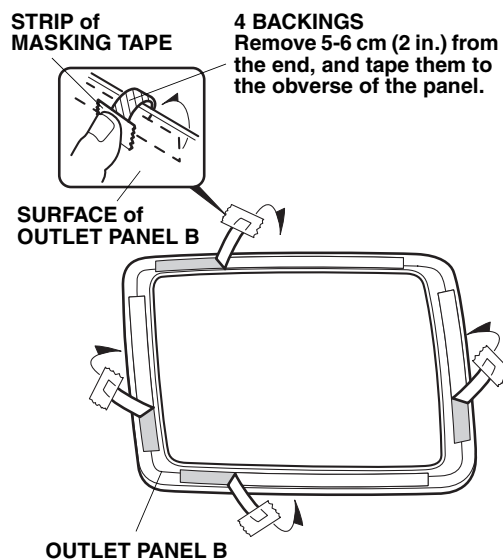
### Installing the Outlet Panels

- Using isopropyl alcohol on a shop towel, clean the areas where the outlet panels will attach.



- Attach the strip of masking tape to the end of each shaded backing. Peel back 5-6 cm (2 in.) of the backings and fold them over as shown. Temporarily attach the strips of masking tape to the obverse of the outlet panel A. Remove all remaining backings from the outlet panel A.

9. Attach a strip of masking tape to the end of each shaded backing. Peel back 5-6 cm (2 in.) of the backings and fold them over as shown. Temporarily attach the strips of masking tape to the obverse of the outlet panel B.



10. Position the outlet panels A and B on the existing outlet panels. While holding pressure on the outlet panels, carefully remove the backings from the outlet panels. Hold the outlet panels A and B firmly against the existing outlet panels with the palm of your hand, particularly at the edges.

