

**INSTALLATION
INSTRUCTIONS**

Accessory

**EXHAUST PIPE TRIM
P/N 08F53-SNA-100**

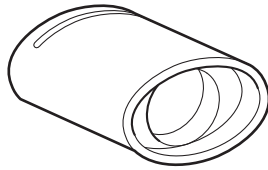
Application

**2009 CIVIC
4-DOOR**

Publications No.

All 40129Issue Date
AUG 2008**Put this information in the glove box with the vehicle owner's manual.****PARTS LIST**

Exhaust pipe trim



Flange bolt

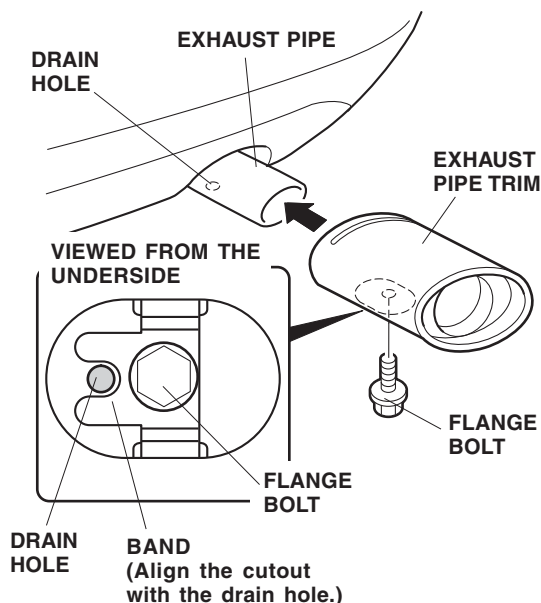
**TOOLS REQUIRED**

10 mm Socket

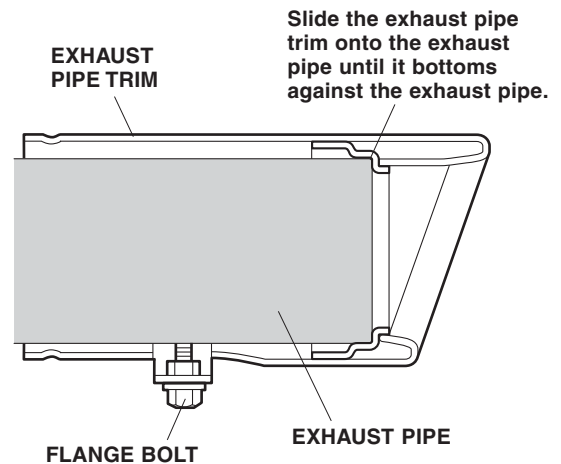
Torque wrench

INSTALLATION**NOTE:**

- Allow the exhaust pipe to cool down before you install the exhaust pipe trim.
 - Remove the original exhaust pipe finisher.
1. Slide the exhaust pipe trim onto the exhaust pipe with the bolt hole facing down. Partially thread the flange bolt into the exhaust pipe trim. Align the cutout in the exhaust pipe trim band with the drain hole in the exhaust pipe.



2. Slide the exhaust pipe trim onto the exhaust pipe until it bottoms against the exhaust pipe.



3. Using the torque wrench, tighten the flange bolt to the specified torque.
Tightening torque: 10 N·m (7 lbs-ft)
 - Tighten the flange bolt to the specified torque while pushing the exhaust pipe trim firmly against the exhaust pipe.
 - Do not overtighten the flange bolt.
4. Start the engine, and rev it up a few times. Listen for vibration from the exhaust pipe trim, and adjust if necessary.