



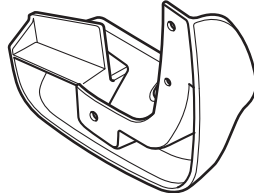
INSTALLATION INSTRUCTIONS

Accessory	Application	Publications No.
SPLASH GUARDS	2009 CIVIC 2-DOOR	All 40122
		Issue Date AUG 2008

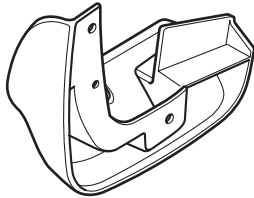
NOTE: Cannot be installed with rear or side under spoiler.

PARTS LIST

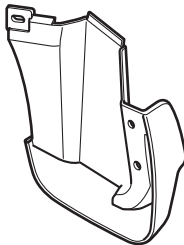
Left front splash guard



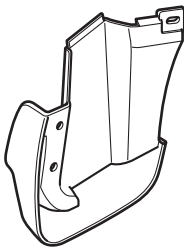
Right front splash guard



Left rear splash guard



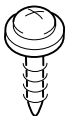
Right rear splash guard



6 Self-tapping screws, 5 x 25 mm



6 Self-tapping screws, 5 x 20 mm



4 Spring nuts



2 Grommets



TOOLS REQUIRED

Stubby Phillips screwdriver

Phillips screwdriver

Clip remover

Pushpin

Utility knife

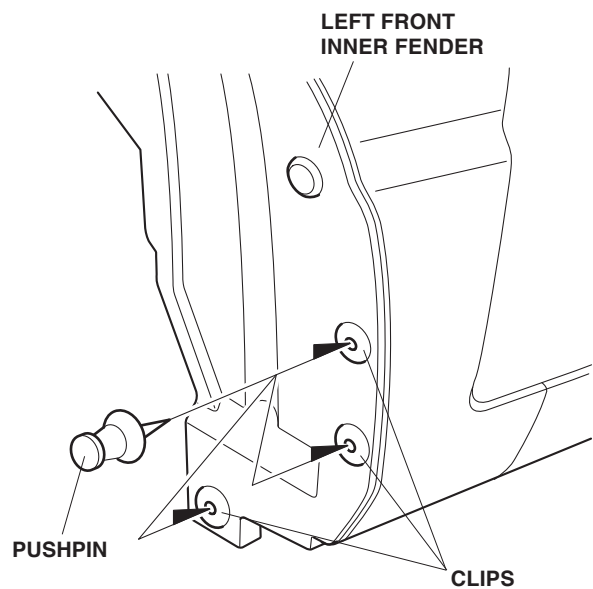
INSTALLATION

NOTE:

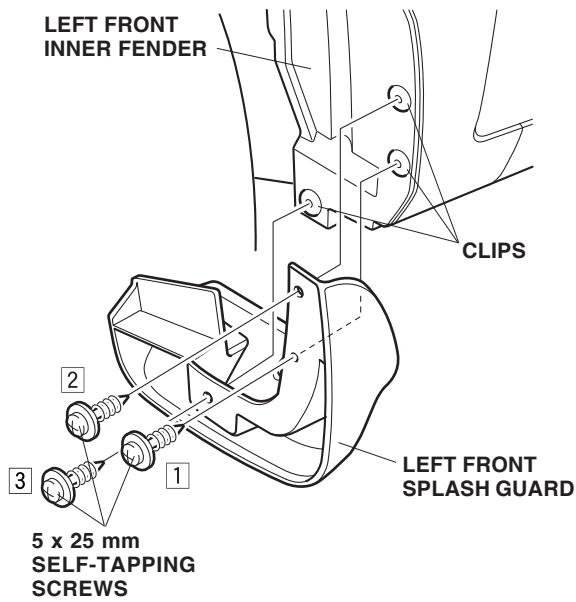
- These instructions show the left splash guards being installed. The same procedure applies to installing the right splash guards.
- Clean and wax the areas to be covered with a high-quality paste wax.

Installing the Front Splash Guards

1. Turn the steering wheel all the way counterclockwise.
2. Using a pushpin, make small holes through the center of the three clips.



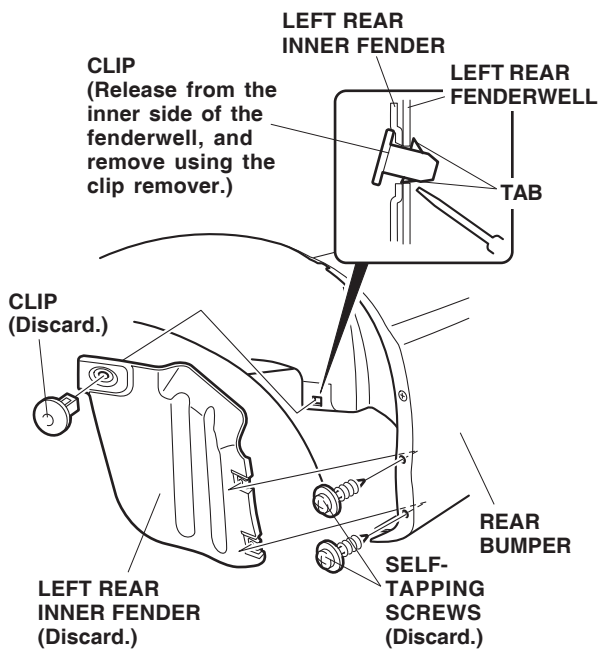
- Position the left front splash guard on the left front inner fender, and install the three 5 x 25 mm self-tapping screws. Tighten the three self-tapping screws in the order shown.



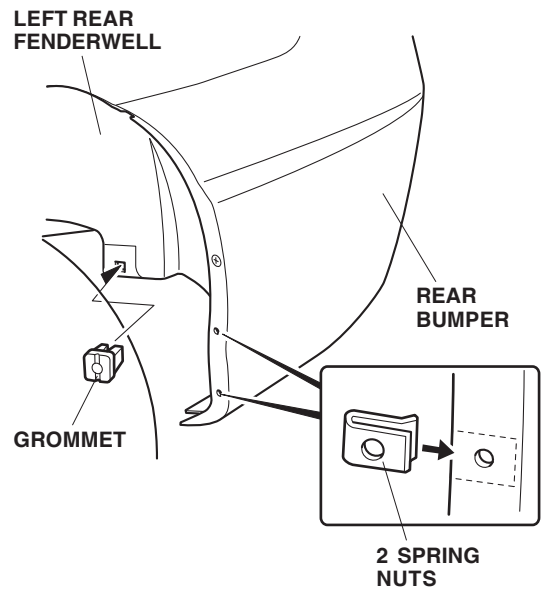
- Turn the steering wheel all the way clockwise, and repeat steps 2 and 3 to install the right front splash guard.

Installing the Rear Splash Guards

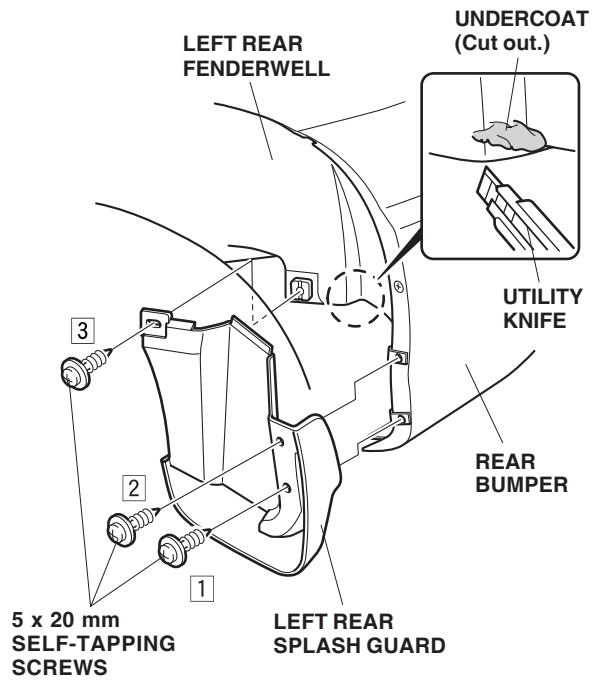
- If equipped, remove and discard the left rear inner fender (two self-tapping screws and one clip).



- Install one grommet into the hole in the left rear fenderwell. Slide two spring nuts over the holes in the rear bumper.



7. Position the left rear splash guard on the left rear fenderwell and rear bumper, then install the three 5 x 20 mm self-tapping screws. Tighten the three self-tapping screws in the order shown. Cut off any excessive undercoat material with a utility knife.



8. Repeat steps 5 (or 6) through 7 to install the right rear splash guard.