



# INSTALLATION INSTRUCTIONS

Accessory

ROOF BOX, SHORT  
P/N 08L20-TA1-100

Application

2009 CR-V

Publications No.

All 40382

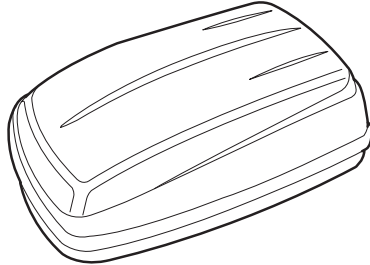
Issue Date

AUG 2008

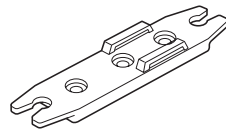
Put this information in the glove box with the vehicle owner's manual.

## PARTS LIST

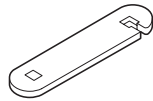
Roof box



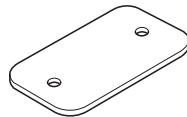
4 Brackets A



4 Brackets B



4 Plates



8 Knobs



8 Bolts



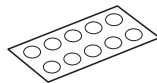
8 Washers



2 Straps



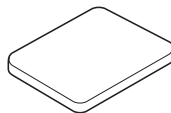
Seal



2 Keys



4 Large pads



4 Small pads



## SUPPLIES REQUIRED

Isopropyl alcohol

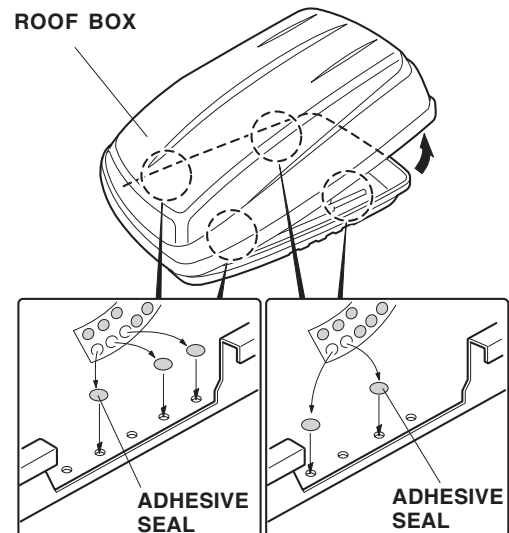
Shop towel

## INSTALLATION

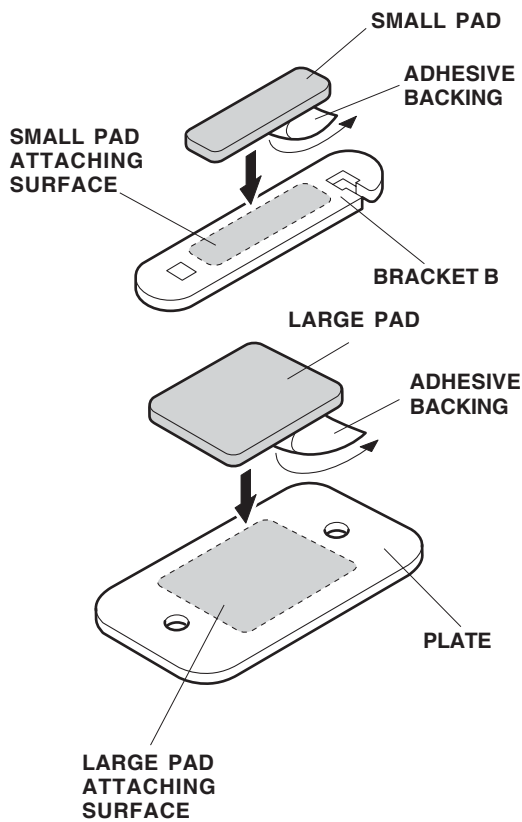
### NOTE:

- Be careful not to damage the roof and other finished surfaces of the body when installing the roof box.
- The maximum load capacity for this product is 110 lb (50 kg); approximate product weight is 29 lb (13 kg).
- Do not allow the combined weight of the accessory and cargo to exceed the carrying capacity of the roof rack.
- Honda roof racks or crossbars are required to install the roof box.

1. Open the roof box. Attach an adhesive seal over the unused mounting holes along the bottom of the box. The seals will help prevent water from entering the roof box.

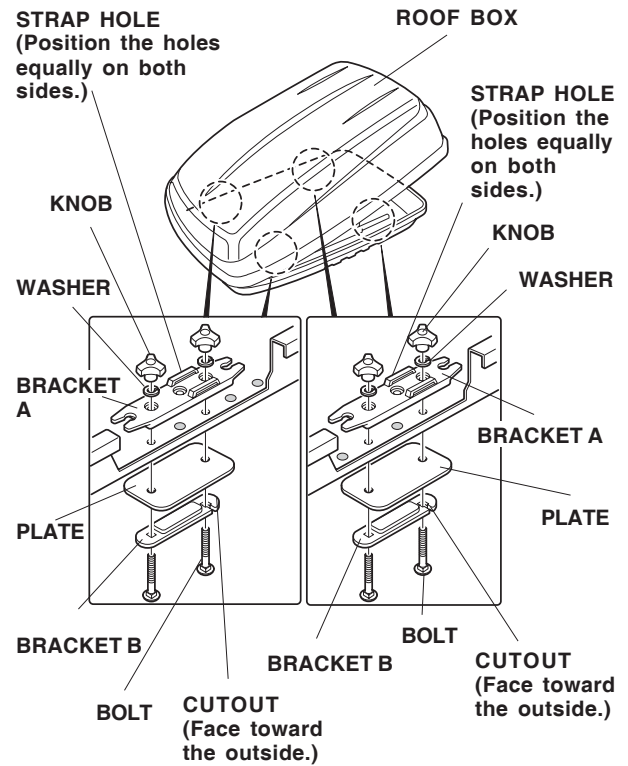


- Using isopropyl alcohol on a shop towel, clean four brackets B where the small pads will attach. Remove the adhesive backings from the small pads and attach them to the brackets B.



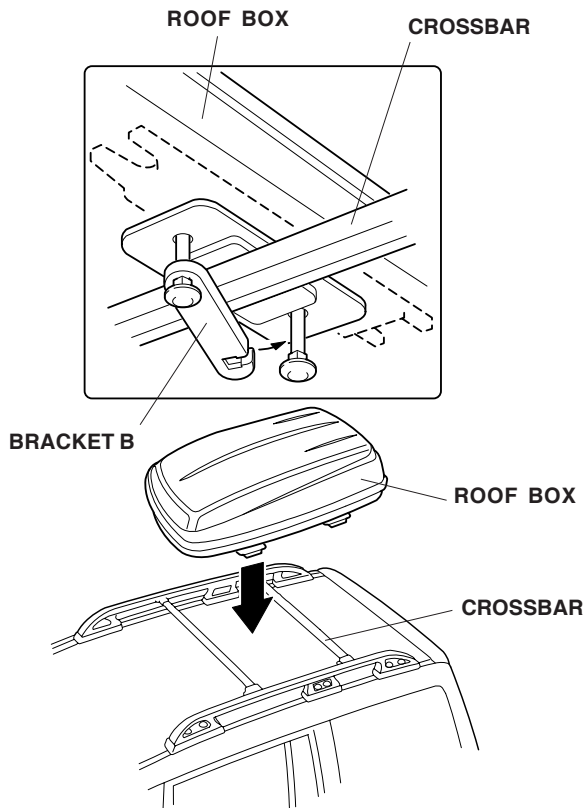
- Using isopropyl alcohol on a shop towel, clean four plates where the large pads will attach. Remove the adhesive backings from the large pads and attach them to the plates.

- Under the roof box, insert a bolt through bracket B, through the plate, and into the predrilled hole in the bottom of the roof box.



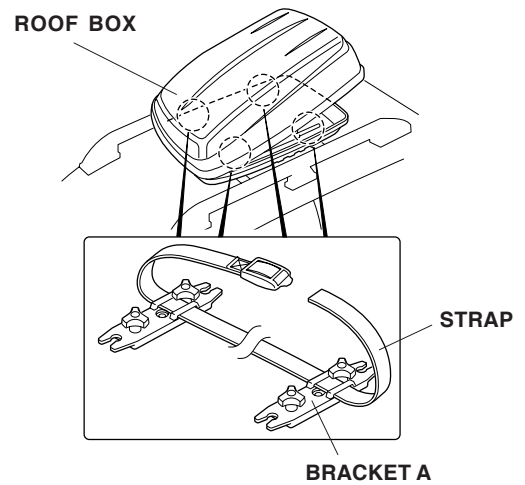
- Fit bracket A over the threads of the bolt where it protrudes through the roof box. Install a washer over the threads, and loosely install a knob. Install a second bolt the same way.
  - Adjust bracket A so that the right and left strap holes are positioned equally on both sides.
  - Install bracket B with the cutout facing the outside.

6. With the help of an assistant, carefully place the box on the crossbars. Be aware of the hardware hanging from the bottom of the box.



7. Arrange the plate to fit between the box and the crossbar. Swing the slotted end of bracket B around the bolt, and tighten the knobs. Fasten the box this way at all four mounting points.
- If necessary, adjust the distance between the crossbars to match the pattern of the predrilled holes in the roof box. The bar spread required is 800 mm for all racks.
  - The roof box should be centered on the crossbars and parallel to the direction of travel with the lock facing the rear of the vehicle.

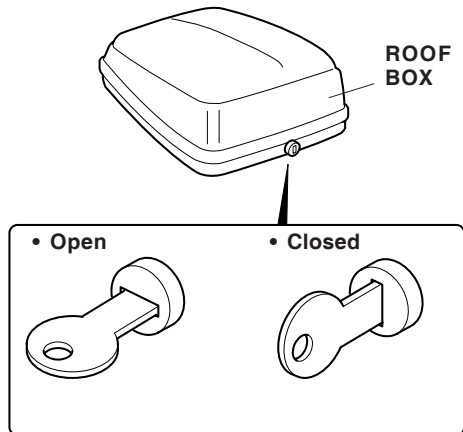
8. Insert the straps through the eyelets on bracket A, and attach the straps together.



## USE AND CARE

### **Unlocking/Locking the Roof Box:**

**Unlocking:** Locate the key attached to the inside of the roof box. Insert the key into the lock and turn it counterclockwise to unlock. Press the center button lifting the lid of the roof box.



**Locking:** Press down on the lid. There should be an audible click. Be sure the lid is latched by attempting to lift the lid. Turn the key clockwise to lock the roof box. Remove the key while not in use. Make sure the strap ends don't dangle from the roof box.

## LOADING THE ROOF BOX

- Load weight equally on both sides to minimize imbalance. Do not overload the roof box; the maximum allowable load is 110 lb (50 kg).
- Loads must be secured with the straps to prevent them from sliding. Check the fasteners at regular intervals.