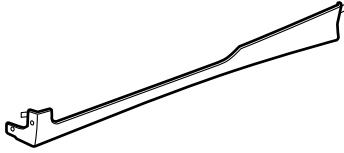
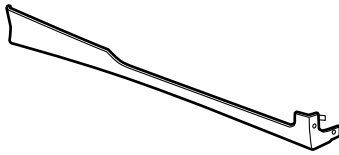


PARTS LIST

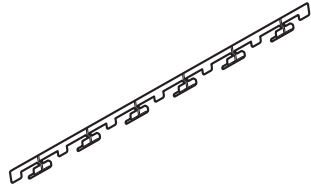
Left side under spoiler



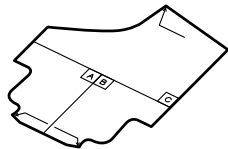
Right side under spoiler



2 Side lower brackets



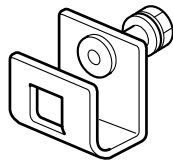
Template



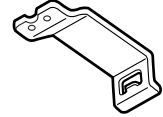
4 Self-tapping screws, 5 x 18 mm



2 Clamps



2 Side bottom brackets



4 Screws

**TOOLS AND SUPPLIES REQUIRED**

Phillips screwdriver

Pushpin

Touch-up paint

Ratchet

Socket

Gloves

Masking tape

Shop towel

Isopropyl alcohol

Utility knife

Dryer

Felt-tip pen

INSTALLATION

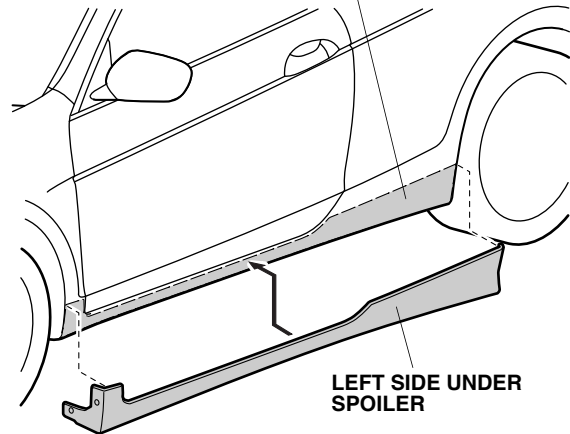
Customer Information: The information in this installation instruction is intended for use only by skilled technicians who have the proper tools, equipment, and training to correctly and safely add equipment to your vehicle. These procedures should not be attempted by “do-it-yourselfers.”

NOTE:

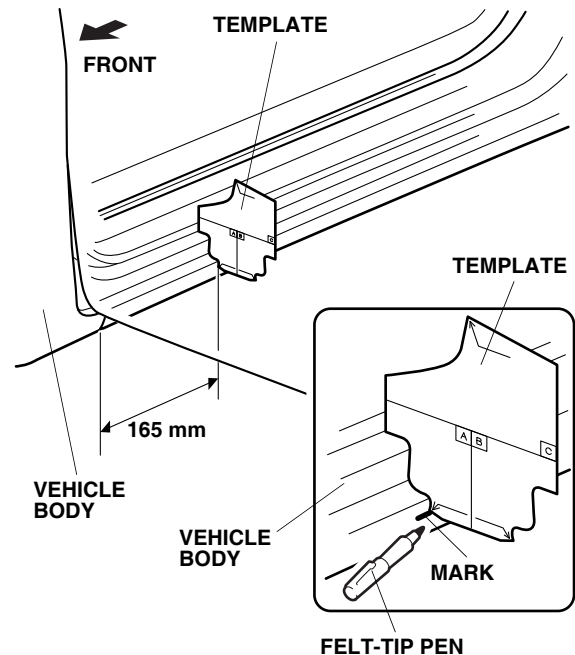
- Using isopropyl alcohol on a shop towel, thoroughly clean the areas where the side lower bracket and the side under spoilers will attach. Allow to dry thoroughly before installing the side lower bracket and the side under spoilers.
- Be careful not to damage the body finish when installing the side under spoilers.
- These installation instructions show the left side under spoiler being installed. The same procedure applies to installing the right side under spoiler.
- This side under spoiler kit should be installed only if the ambient air temperature is 60°F (15°C) or above.
- To allow the adhesive to cure, do not wash the vehicle for 24 hours.
- The side under spoilers cannot be installed with splash guards.

1. Position the left side under spoiler on the vehicle body to check the installation position. Using isopropyl alcohol on a shop towel, clean the surface of the vehicle thoroughly where the left side under spoiler will attach to ensure adhesion of the double-sided adhesive tape.

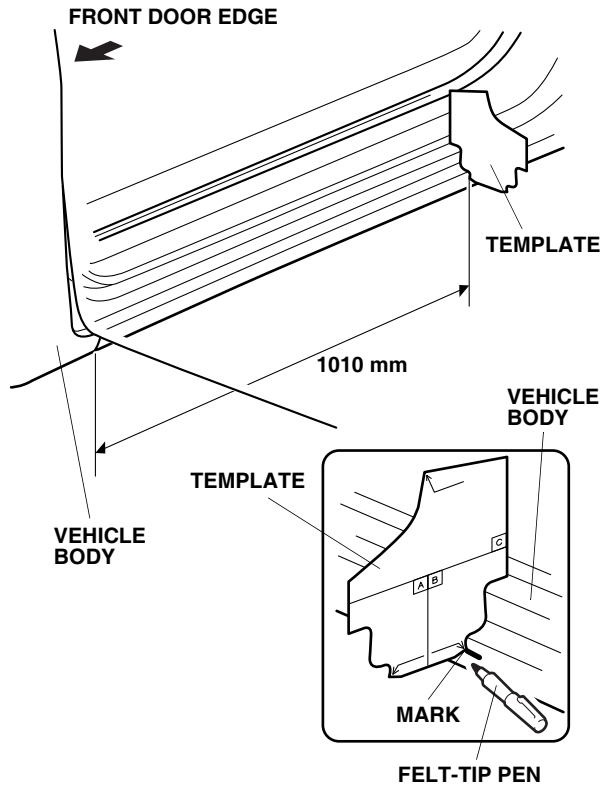
Using isopropyl alcohol on a shop towel, thoroughly clean the surface where the left side under spoiler will attach.



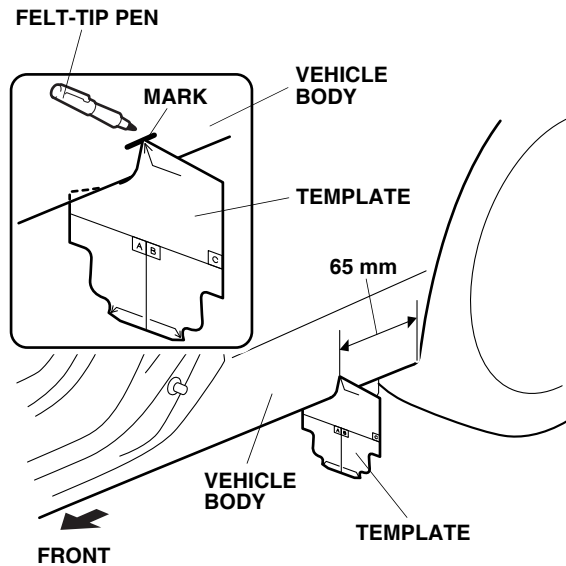
2. Position template A on the vehicle body. Using a felt-tip pen, mark the vehicle body at the distance shown.



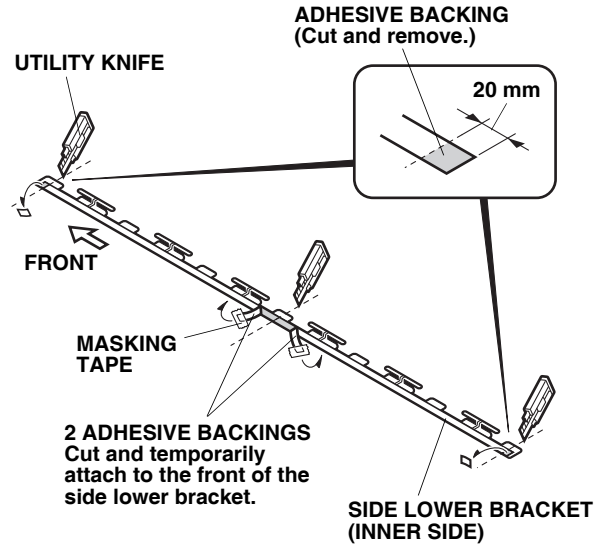
- Position template B on the vehicle body. Using a felt-tip pen, mark the vehicle body at the distance shown.



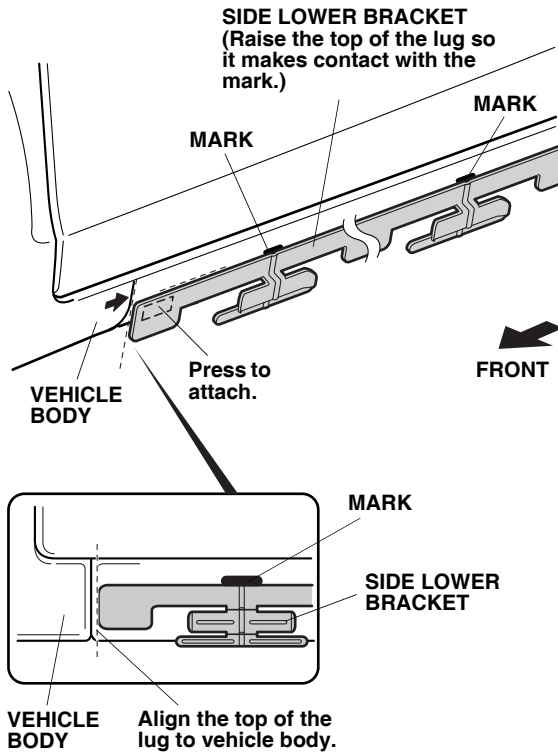
- Position template C on the vehicle body. Using a felt-tip pen, mark the vehicle body at the distance shown.



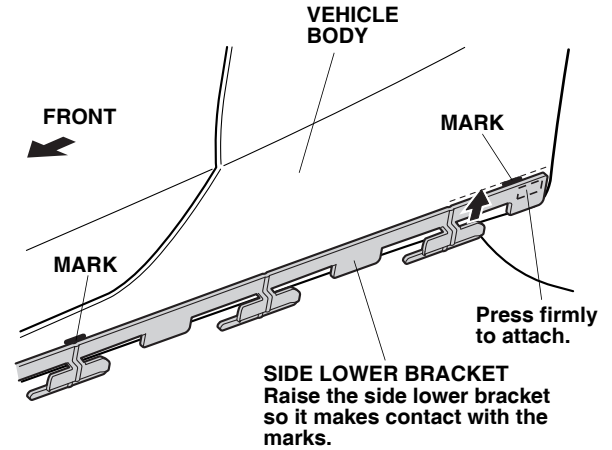
- Using a utility knife, cut both ends and the centers of the adhesive backing on the side lower bracket, and remove the cut backing pieces from both ends.
- Attach a piece of masking tape to each of the cut ends, and temporarily attach them to the front of the side lower bracket as shown.



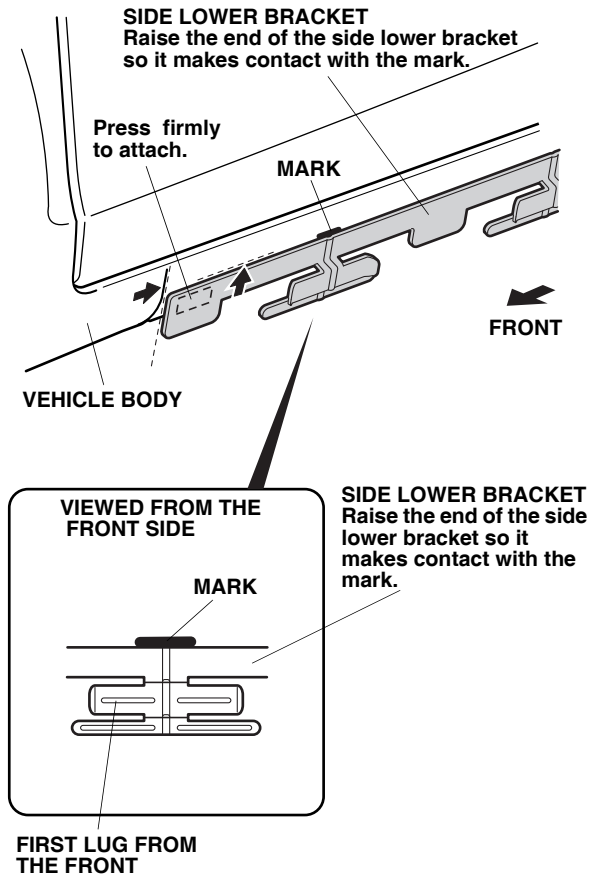
7. Position the side lower bracket as shown. Temporarily attach the side lower bracket to the vehicle body by pressing the front end of the side lower bracket (where you removed the adhesive backing) against the vehicle body.
 - Position the side lower bracket on the vehicle body, taking care not to bend it, and attach it securely to the vehicle body.
 - If the side lower bracket comes off after temporarily attaching it, repeat step 1 and clean the surface where the side lower bracket will attach using isopropyl alcohol.



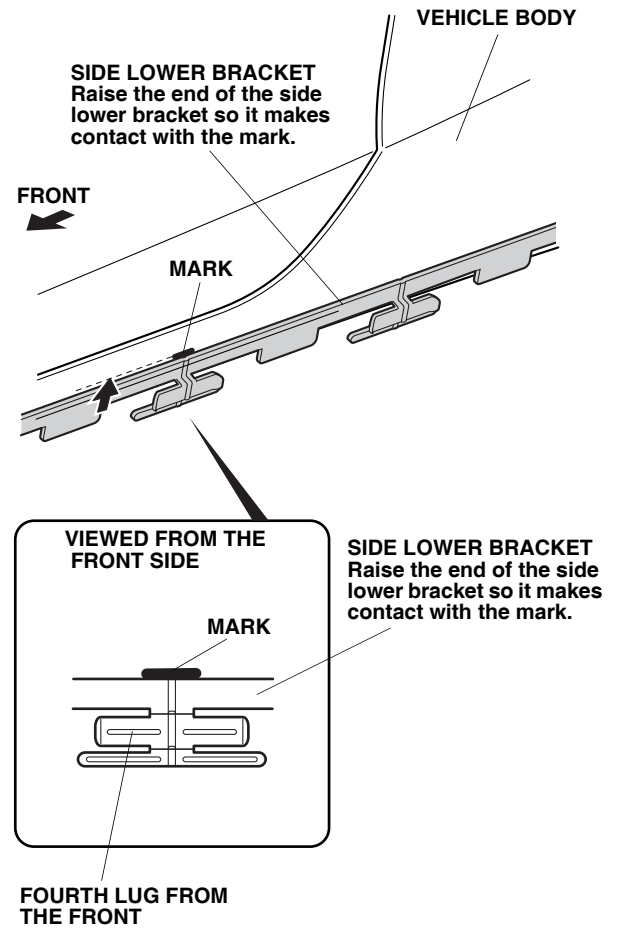
8. Raise the side lower bracket so that it makes contact with the marks.
9. Press the rear end of the side lower bracket (where you removed the adhesive backing) to attach the side lower bracket firmly to the vehicle body.



10. Press the front end of the side lower bracket (where you removed the adhesive backing) to attach the part firmly to the vehicle body.



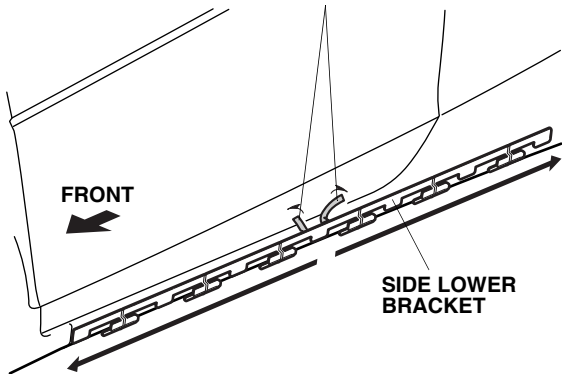
11. Raise the top of the center of the side lower bracket so that it lightly makes contact with the mark.
12. Press the side lower bracket in the center (where the adhesive tape was removed) to attach it firmly. Wear gloves to protect your hands during this step.



13. Make sure the side lower bracket makes contact with the mark. Apply pressure to the side lower bracket starting from the center and moving to the ends while removing the adhesive backing that was temporarily attached to the lower bracket.

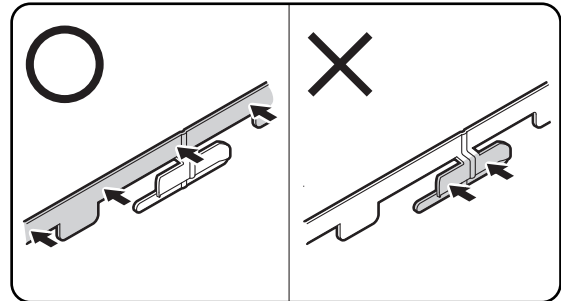
2 ADHESIVE BACKINGS

Press the side lower bracket lightly from the center to the ends while removing the adhesive backing.

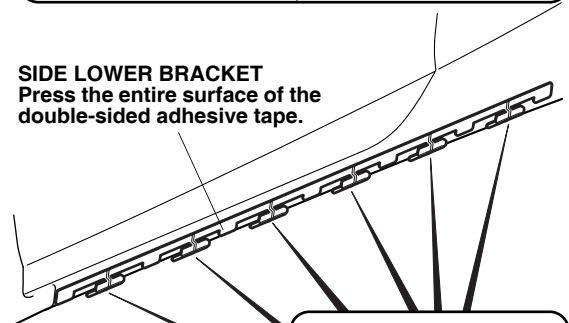


14. Attach the side lower bracket to the vehicle body by pressing it firmly where the double-sided adhesive tape is attached with the palms of your hands or fingers.

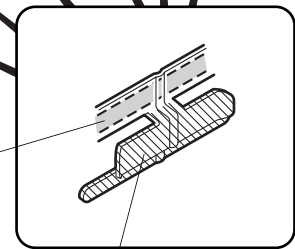
NOTE: Do not push the side under spoiler installation plates. This can deform the installation plates and prevent you from installing the side under spoiler.



SIDE LOWER BRACKET
Press the entire surface of the double-sided adhesive tape.

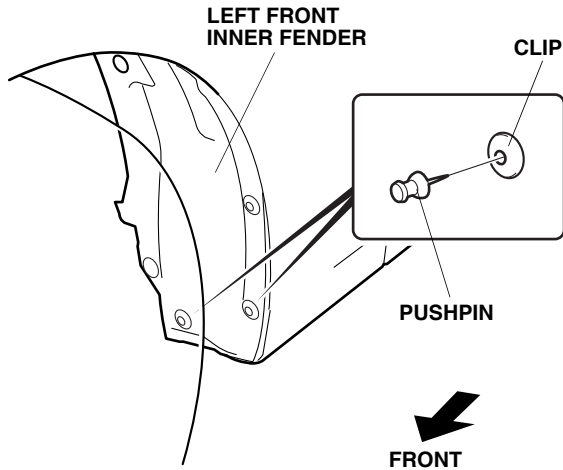


Press firmly with the palms of your hands or fingers.

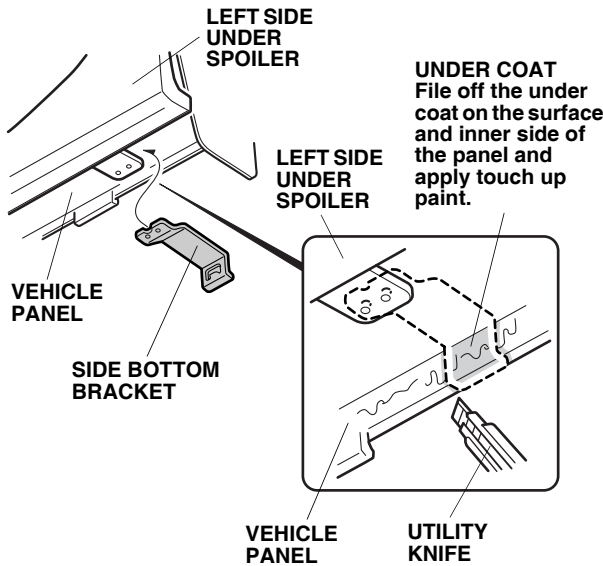


Do not push here.

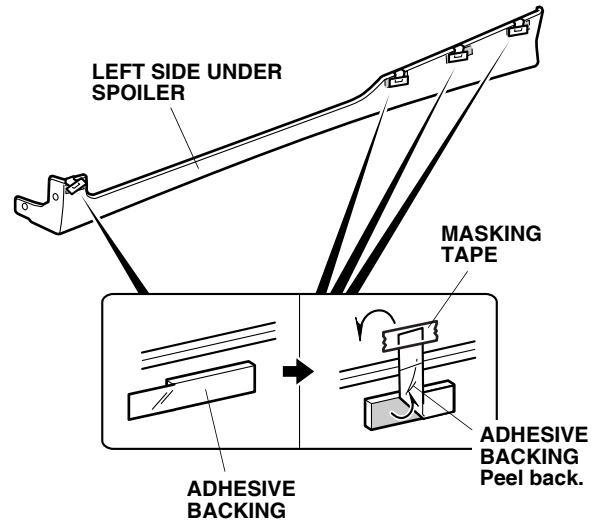
15. Using a pushpin, make small holes through the center of the two clips.



16. Position the left side under spoiler and fit the side bottom bracket to the left side under spoiler, and mark the under coat.
17. Cut into the marked area of the under coat with a utility knife, and remove the under coat from the surface and inner side of the vehicle panel. Apply touch-up paint to the vehicle panel.

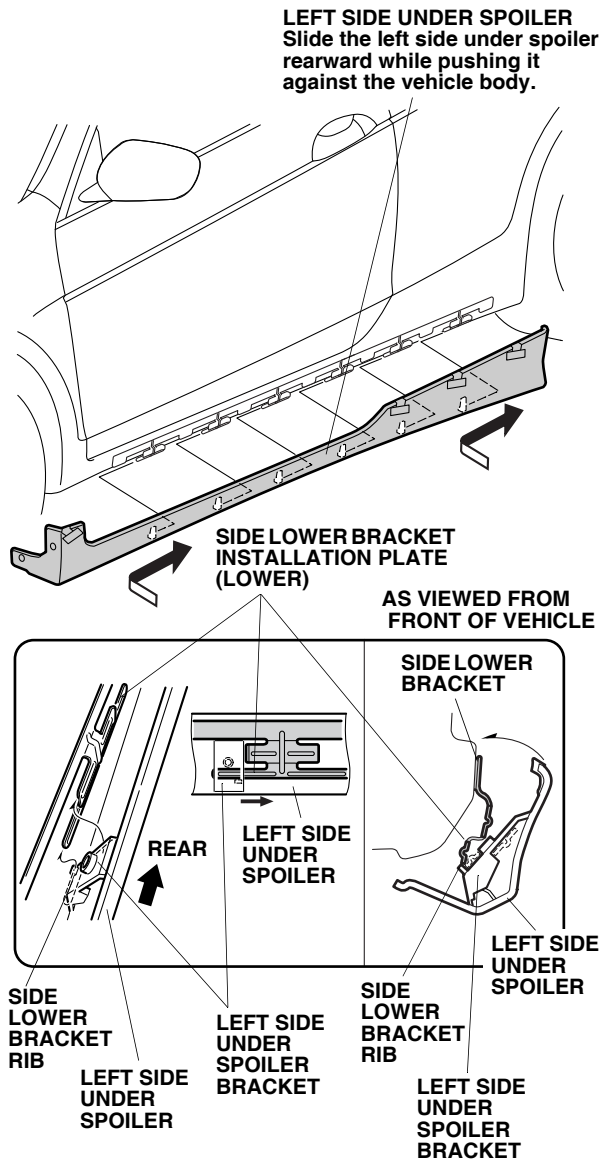


18. Attach masking tape to the end of each adhesive backing. Fold the ends back, and tape them to the front of the left side under spoiler.

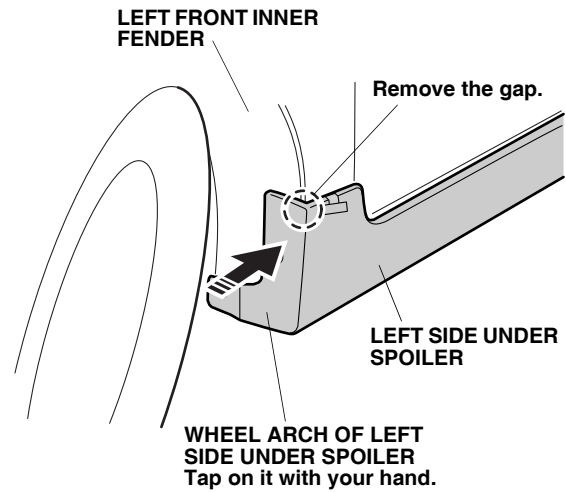


19. Check the position of the under spoiler attachments by looking down from the top. Slide the left side under spoiler rearward slightly while pushing it against the vehicle body with both hands.
- Make sure the side lower bracket installation plates (upper and lower) attach to the brackets of the left side under spoiler.
 - Install the left side under spoiler very carefully. Excess pressure may damage the lower side bracket.
 - Check to see that the left side under spoiler bracket and side lower bracket are aligned if you are unable to install the left side under spoiler.

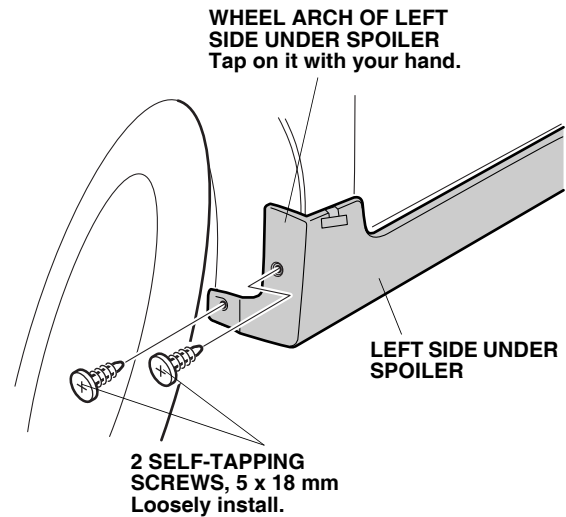
20. Check that all six brackets of the left side under spoiler are set in the side lower bracket installation plates. Visually check that there is no excessive gap between the left under spoiler and the vehicle. If an excessive gap is found, repeat step 19.



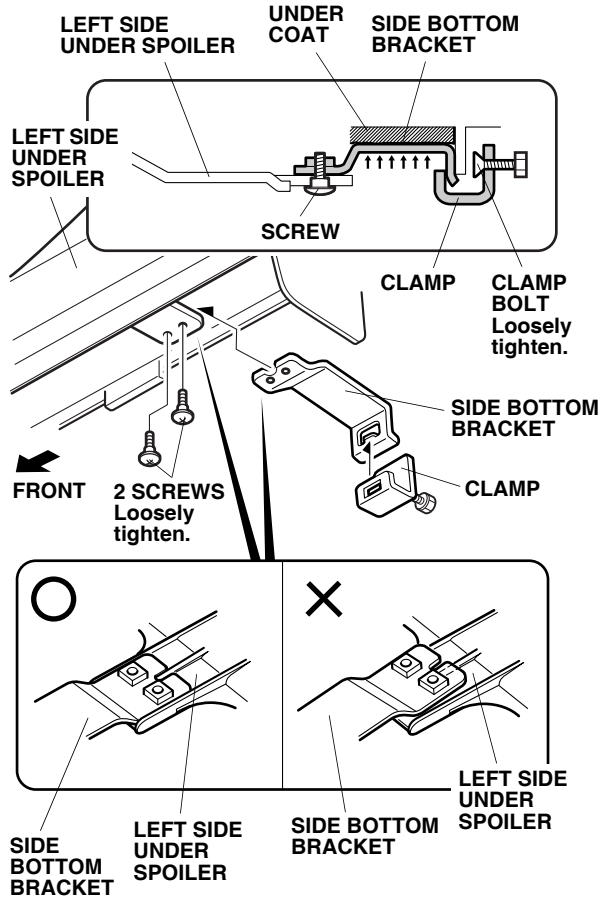
21. Gently tap on the left side under spoiler to remove any gap between the wheel arch of the left side under spoiler and the left front inner fender.



22. Loosely install the two 5 x 18 mm self-tapping screws in the holes in the wheel arch of the left side under spoiler.



23. Loosen the clamp bolt with your hand. Do not use a wrench, as it can damage the bolt.
24. When the touch-up paint has dried, position the side under bracket and clamp on the side under spoiler. Loosely install the two screws. Thread the clamp bolt, but don't tighten it completely yet.



25. Remove the four adhesive backings from the left side under spoiler. Press on the adhesive part of the left side under spoiler firmly.
26. Tighten the two 5 x 18 mm self-tapping screws and the two screws securely.
27. Tighten the bolt on the clamp securely.
28. Repeat for the right side under spoiler.

