



INSTALLATION INSTRUCTIONS

Accessory
19" ALUMINUM WHEEL
P/N 08W19-TE0-100

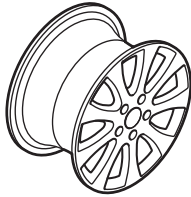
Application
2009 ACCORD
2-DOOR

Publications No.
All 39927

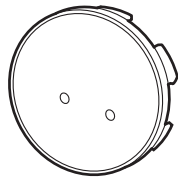
Issue Date
JULY 2008

PARTS LIST

Aluminum wheel
(The illustration may differ from the actual wheel.)



Wheel center cap
(The illustration may differ from the actual center cap.)



Center cap emblem



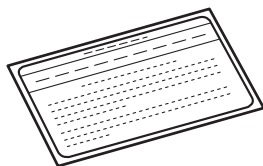
2 Push nuts



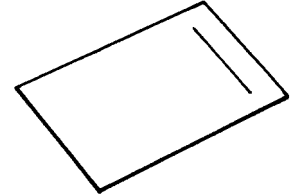
Tire pressure information label



TPMS Information
(Give this information to your customer.)

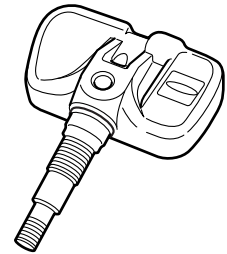


Supplemental information



Parts for TPMS sensor assembly

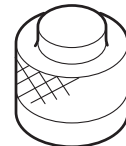
Tire pressure sensor assembly



Washer



Valve cap



Valve nut



TOOLS AND SUPPLIES REQUIRED

- Ratchet wrench
- 11 mm Socket
- Torque wrench
- Isopropyl alcohol
- Shop towel
- HDS
- Sensor initializer tool, T/N ASK620006

SPECIFICATIONS

Rim size	19 x 8 J (offset 55)	
Tire size	245/40ZR19 98Y	
Bolt hole PCD	114.3 (5 holes)	
Tire pressure	Front	250 kPa (2.5 kgf/cm ² , 36 psi)
	Rear	250 kPa (2.5 kgf/cm ² , 36 psi)

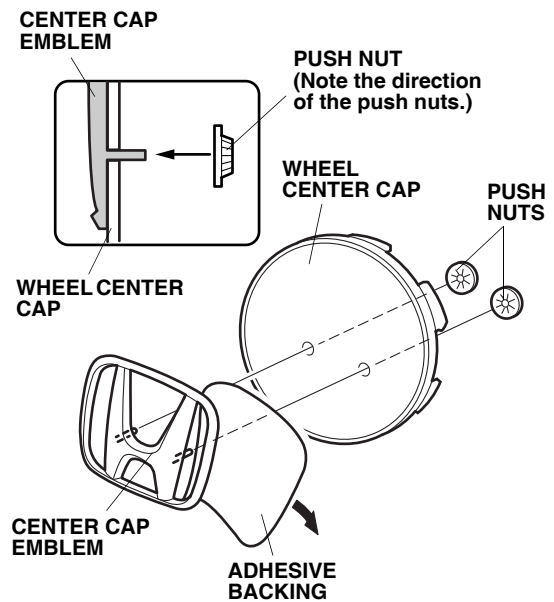
INSTALLATION

Customer Information: The information in this installation instruction is intended for use only by skilled technicians who have the proper tools, equipment, and training to correctly and safely add equipment to your vehicle. These procedures should not be attempted by “do-it-yourselfers.”

NOTE:

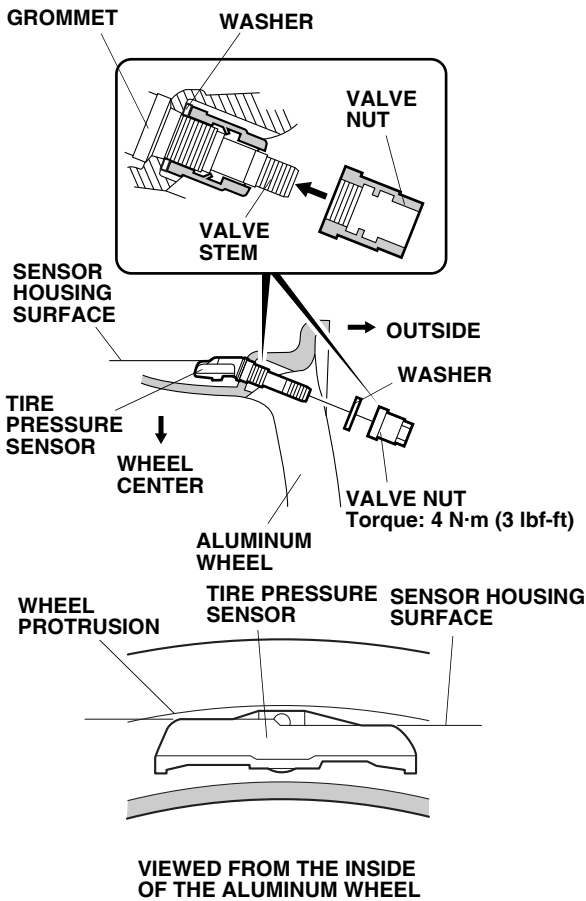
- This aluminum wheel is designed for use on cars equipped with TPMS (Tire Pressure Monitoring System).
- This aluminum wheel is equipped with a TPMS sensor. Refer to the Service Manual for tire replacement procedure and TPMS sensor installation procedure.
- The illustrations of the aluminum wheels are shown for reference purposes only.
- Install the correct size tire.
- Use a tire changer to remove and install the tires. Using a tire lever to remove and install the tires can damage the tire, the wheel, and the TPMS sensor.
- Be careful not to damage the wheel center cap when installing the emblems.
- The center cap emblem kit should be installed only if the ambient air temperature is 60°F (15°C) or above.
- To allow the adhesive to cure, do not wash the vehicle for 24 hours.

1. Using isopropyl alcohol on a shop towel, clean the area where the center cap emblem will attach.



2. Remove the adhesive backing from the center cap emblem.
3. Attach the center cap emblem to the wheel center cap by aligning its pins with the holes in the wheel center cap. After attaching, hold the emblem firmly against the wheel center cap with the palm of your hand for 30 seconds.
4. Slide the push nuts onto the pins. Note the direction of the push nuts.

- Before installing the tire pressure sensor, clean the mating surface on the sensor and the aluminum wheel.



- Install the tire pressure sensor and the washer on the aluminum wheel, and tighten the valve nut finger tight. Make sure the pressure sensor is resting on the wheel.
- While holding the tire pressure sensor to keep it from rotating, torque the valve nut to 4 N·m (3 lb-ft). (You may hear a snap or pop as you torque the nut; this is normal).

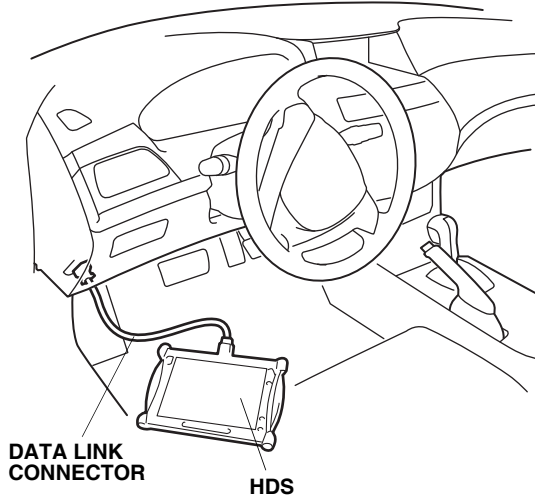
NOTE: Install the tire pressure sensor so that the sensor housing surface does not protrude into the bead area of the wheel.

NOTE:

- Do not reuse the grommets that had been tightened, even one time, to the specified torque; otherwise, the valve system may leak.
 - Do not use pneumatic or electric tools on the valve nut.
 - Tightening the nut above the specified torque can damage the grommet.
 - Make sure that there is no space between the sensor and the wheel.
- Install the tires according to the instructions in the service manual.
 - Install the wheels on the vehicle and torque the wheel nuts to 108 N·m (80 lb-ft).

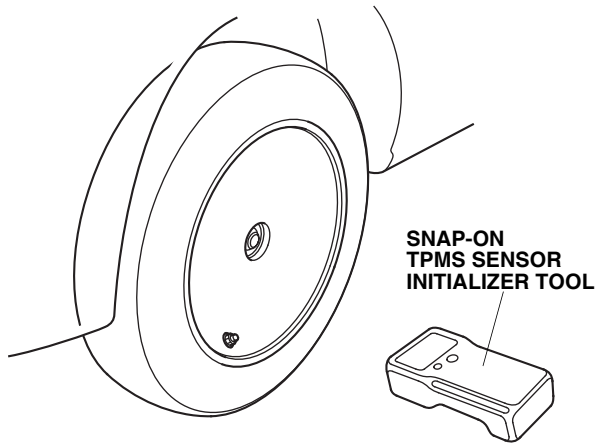
MEMORIZING THE TIRE PRESSURE SENSOR ID

- Using the HDS and Snap-on TPMS sensor initializer tool, memorize the ID of the tire pressure sensor according to the instructions in the service manual (Memorizing the Tire Pressure Sensor ID).



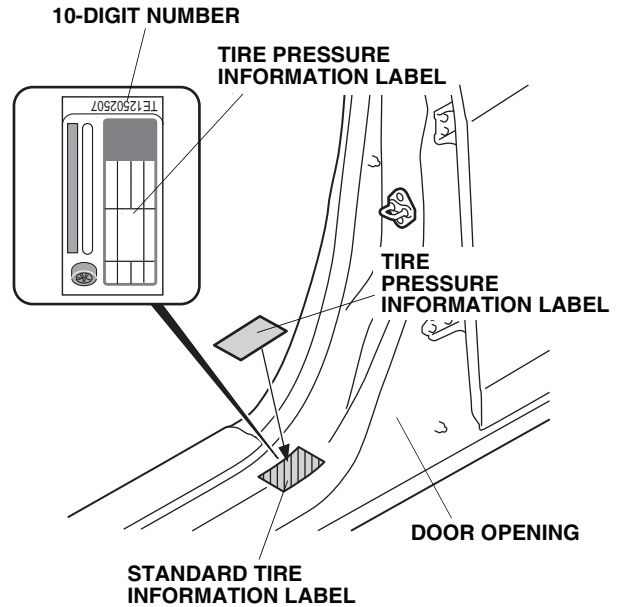
DATA LINK
CONNECTOR

HDS



SNAP-ON
TPMS SENSOR
INITIALIZER TOOL

- Open the driver's door. Using isopropyl alcohol, thoroughly clean the area where the new Tire Pressure Information Label will be attached. Remove the adhesive backing from the label and apply it over the existing tire pressure information label as shown.



10-DIGIT NUMBER

TIRE PRESSURE
INFORMATION LABEL

TIRE
PRESSURE
INFORMATION LABEL

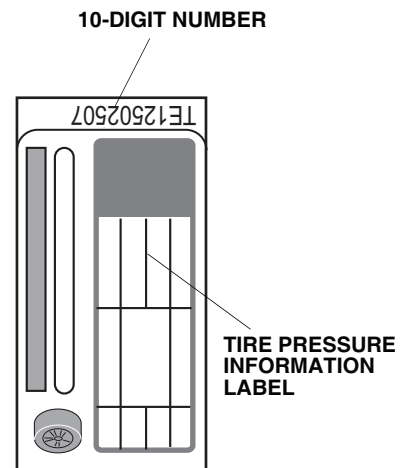
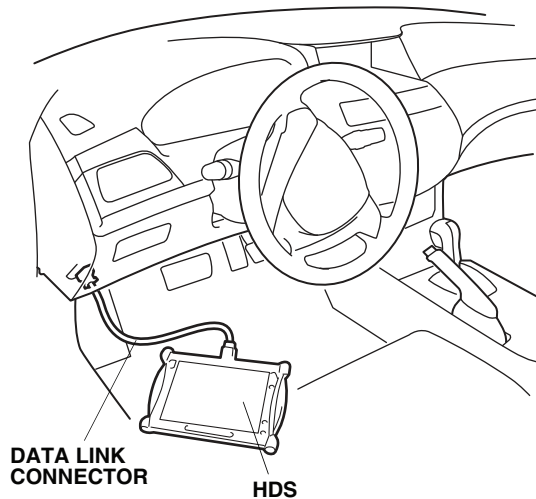
DOOR OPENING

STANDARD TIRE
INFORMATION LABEL

- Attach the Supplemental Information page to the owner's manual.
- Do the Inch-up Tire Pressure Programming procedure on page 5.

INCH-UP TIRE PRESSURE PROGRAMMING (LOW TIRE PRESSURE WARNING THRESHOLD REPROGRAMMING)

1. After doing the sensor ID learning procedure using the HDS, back up to the TPMS Mode Menu, and click on Threshold Rewriting.
2. Select "Reprogramming for accessory tires".
3. When the HDS says, "Do you want to rewrite the threshold data?" click "YES".
4. "Please enter the tire information code of new tires" will appear. Click the keyboard icon.
5. Enter the 10-digit tire information code printed on the new tire pressure information label, then click the check icon.
6. Check that the tire pressure shown on the HDS is the same as the new tire pressure on the tire pressure information label, then click "YES."
7. Check that the current air pressure setting shown on the HDS is correct and that the display says "Reprogramming the threshold data for non-standard tires has completed successfully."
8. After programming, write the tire pressure indicated on the HDS in the service history page for Honda Accessory Wheels, then click the check icon.
9. After programming, sign on to the service history page for Honda Accessory Wheels, according to the procedure on page 6.



14. Write the tire size, tire pressure, HDS version, dealer name, technician's signature and date in the service history page for Honda Accessory Wheels, and attach the page to the vehicle's service history booklet.

- Be sure to explain the contents of the Supplemental Information to your customer before delivering the vehicle.
- Be sure to give the TPMS information to your customer.

REINSTALLING STANDARD WHEELS

If the original equipment (standard wheels) are reinstalled on the vehicle, the low tire pressure warning threshold must be restored to the factory setting, following the procedure on page 8.

NOTE: Have a standard tire pressure label on hand.

THRESHOLD DATA CHECK

If you are unsure of where the low pressure warning threshold is set, it can be checked by using Threshold Data Check (page 9).

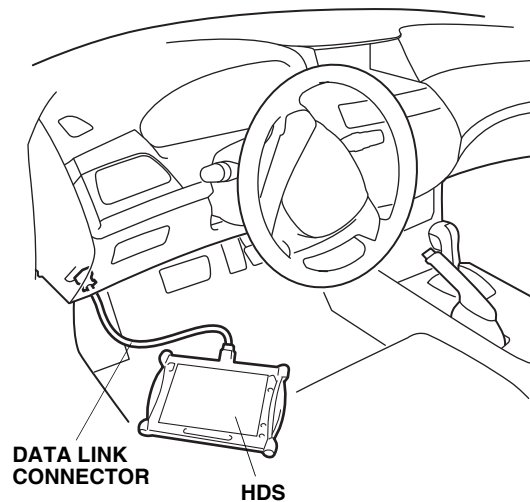
TPMS UNIT REPLACEMENT

If the TPMS unit is replaced, do steps 10 thru 14 (Memorizing the Tire Pressure Sensor ID and Inch-Up Tire Pressure Programming).

STANDARD TIRE PRESSURE PROGRAMMING

To return the TPMS programming from the inch-up tire to the standard tire, change the programming:

1. Connect the HDS to the vehicle, make sure the correct VIN is populated, and enter the mileage.
2. At the System Selection Menu, click TPMS.
3. At the Mode Menu, Click DTC and clear any stored codes.
4. Go back to the Mode Menu, and click on Threshold Rewriting.
5. Click on Reprogramming for standard tires and follow the screen prompts.
6. After programming, write the measured tire pressure in the important information, then click the check button.
7. Attach the standard tire pressure information label over the old label in the driver's door jamb.
8. After programming, sign on the service history page for Honda Accessory Wheels, according to the procedure on page 6.



THRESHOLD DATA CHECK

Check the TPMS programming on the vehicle:

1. Connect the HDS to the vehicle and make sure the correct VIN is populated, then enter the mileage.
2. At the System Selection Menu, click TPMS.
3. Click on Threshold Rewriting.
4. Click on Threshold Data Check.

