



INSTALLATION INSTRUCTIONS

Accessory

FRONT GRILLE
P/N 08F21-SJC-100

Application

2008 RIDGELINE

Publications No.

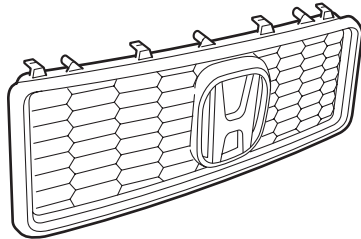
All 36766

Issue Date

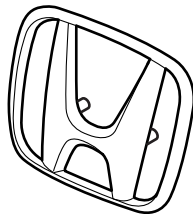
JUN 2007

PARTS LIST

Front grille



"H" emblem



TOOLS AND SUPPLIES REQUIRED

Phillips screwdriver

Flat-tip screwdriver

Ratchet

10 mm Socket

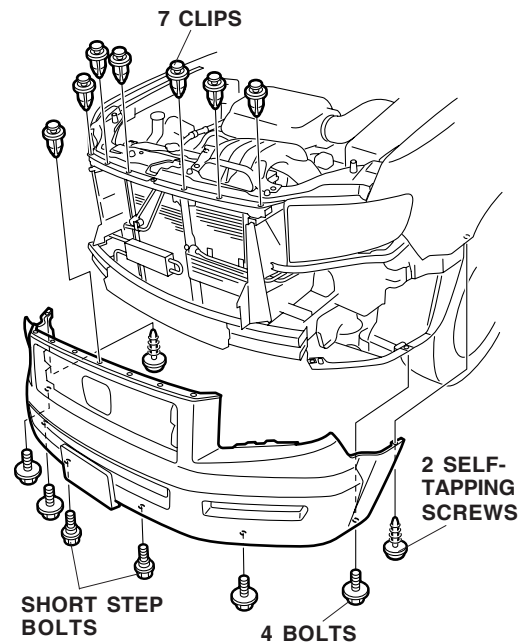
Blanket

INSTALLATION

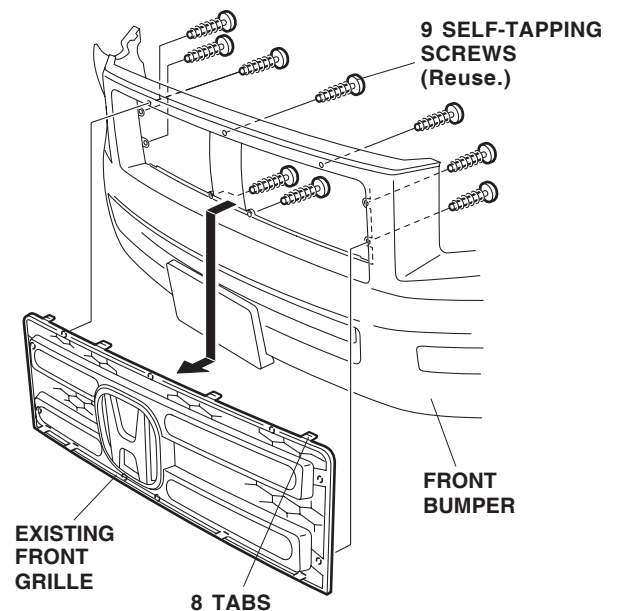
Customer Information: The information in this installation instruction is intended for use only by skilled technicians who have the proper tools, equipment, and training to correctly and safely add equipment to your vehicle. These procedures should not be attempted by "do-it-yourselfers."

NOTE: Be careful not to damage the body finish.

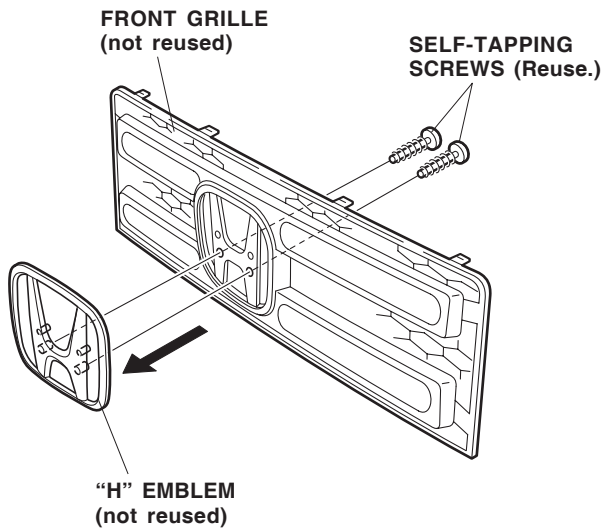
1. Open the hood, and remove the front bumper (seven clips, four bolts, two short step bolts and two self-tapping screws). Place the front bumper on a blanket.



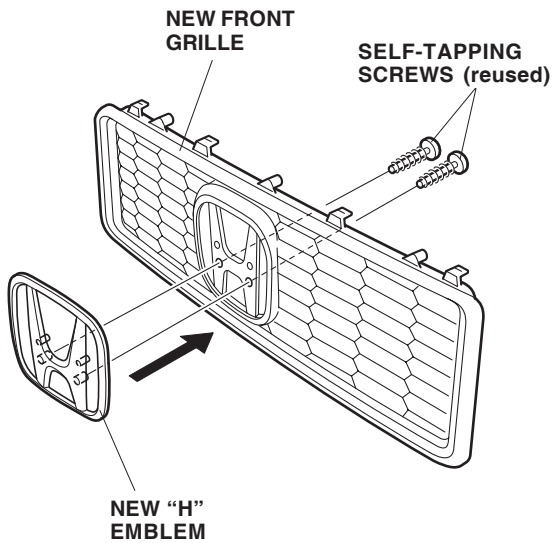
2. Remove the existing front grille (nine self-tapping screws and eight tabs).



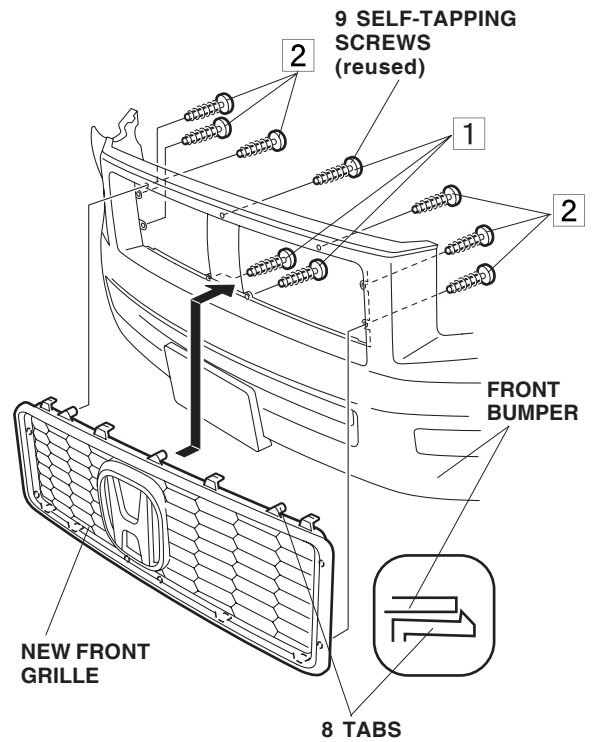
- Remove the two self-tapping screws that secure the "H" emblem and remove the emblem.



- Slide the pins from the new "H" emblem into the holes in the new front grille, and install the two self-tapping screws you just removed.



- Position the new front grille on the front bumper, and install it with the eight retaining tabs.



- Reinstall the nine self-tapping screws on the new front grille, and tighten them in the order shown.
- Reinstall the front bumper.