



INSTALLATION INSTRUCTIONS

Accessory
**BICYCLE ATTACHMENT
(ROOF MOUNT)**
P/N 08L07-TA1-102

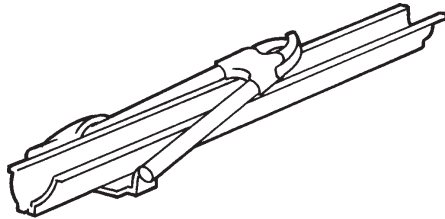
Application
2008 RIDGELINE

Publications No.
A11 36582

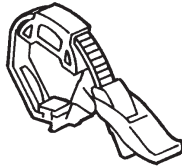
Issue Date
JUN 2007

PARTS LIST

Bike attachment



2 Wheel straps



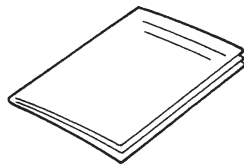
2 End caps



2 Keys



Instruction sheet
(with Allen wrench)



TOOLS REQUIRED

Flat-tip screwdriver

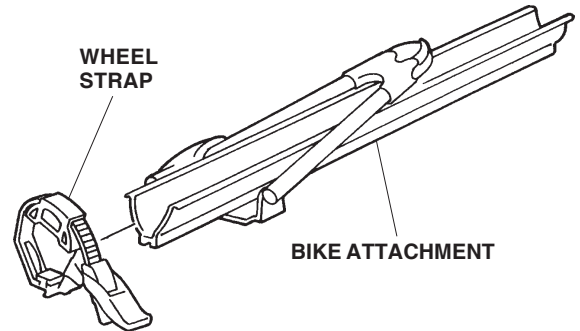
INSTALLATION

NOTE:

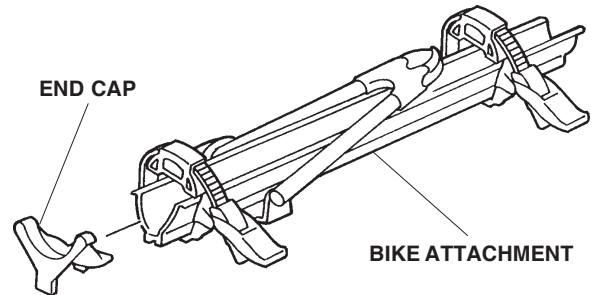
- Be careful not to damage the painted surfaces of the vehicle when installing the bike attachment.
- If you are installing more than one bike attachment, you may need to alternate the mounting positions (front to rear) to allow for handle bar clearance.
- Make sure the security retainer and the locking clamp lever are installed on the outboard side; see the instruction sheet for details.

Preparing the Bike Attachment

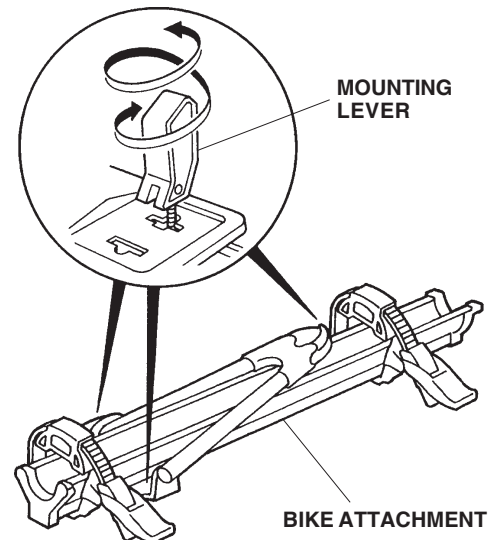
1. Slide a wheel strap onto one end of the bike attachment channel. Repeat on the other end. Make sure both wheel strap buckles are on the same side.



2. Install an end cap on the bike attachment channel by aligning the locktabs on the end cap with the holes in the channel. Push down on the end cap until the locktabs click into place. Repeat on the other end.

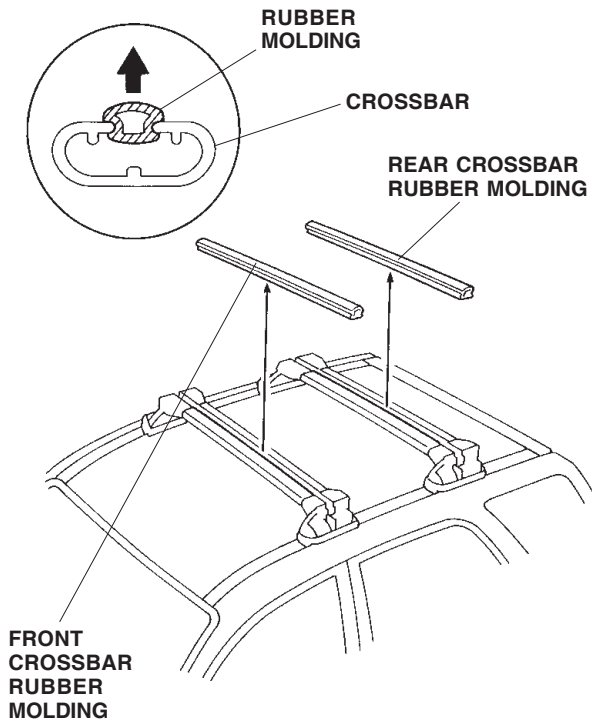


3. Turn the three mounting levers on the bike attachment to loosen them.

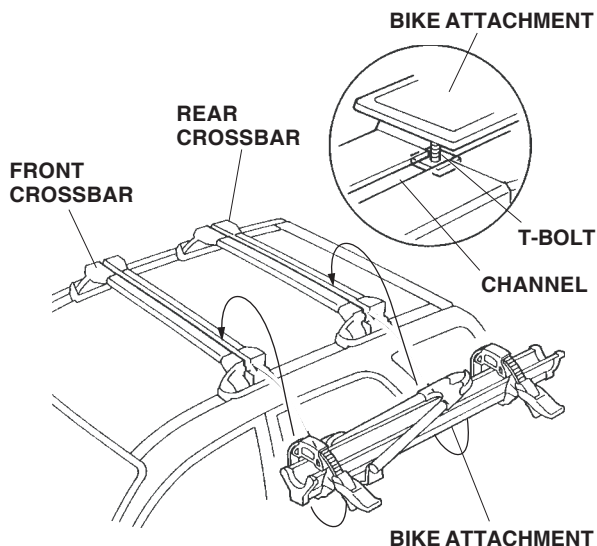


Installing the Bike Attachment

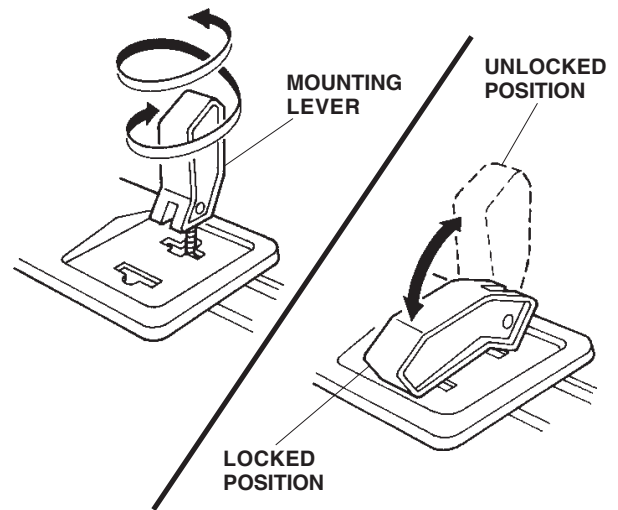
- Remove the rubber moldings from the front and rear roof rack crossbars. Retain the rubber moldings to be reinstalled if the bike attachment is removed.



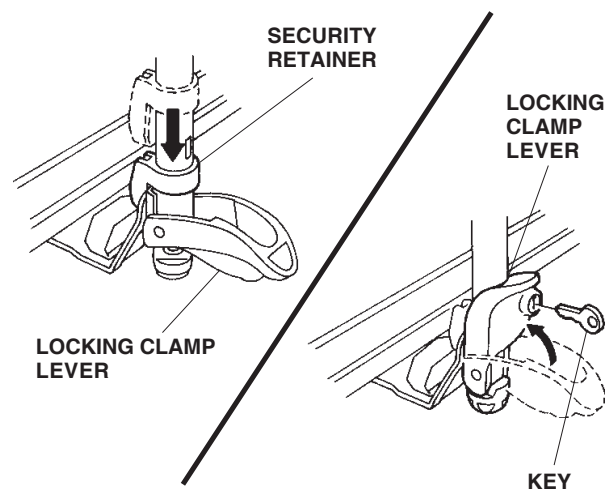
- Insert the T-bolts of the bike attachment into the channels of the crossbars (two T-bolts for the front of the bike attachment, and one T-bolt for the rear), and position the bike attachment on the front and rear crossbars.



- Turn and adjust the mounting levers to lock the bike attachment to the roof rack. Check for firm pressure while you push down on the mounting lever to lock it into place.



- If the mounting lever pressure is too tight (the lever will not lock into place), lift up on the lever and turn it counterclockwise.
 - If the mounting lever pressure is too loose (the lever locks into place, but the bike attachment is loose on the crossbars), lift up on the lever and turn it clockwise.
- Slide the security retainer in place; then close the locking clamp lever. To deter theft of the bike attachment, lock the locking clamp lever with the key.



8. Put these instructions with the keys and the Bicycle Installation Instruction sheet in the glove box with the vehicle owner's manual.
9. Put the rubber moldings removed in step 4 in a plastic bag, and put the bag in the vehicle for the customer. (The rubber moldings can also be cut and installed into the grooves in the roof rack.)
10. Advise the customer that reinstalling the rubber moldings will help reduce wind noise if the bike attachment is removed.