



INSTALLATION INSTRUCTIONS

Accessory
**WOOD-GRAIN DASHBOARD
TRIM KIT**
P/N 08Z03-S9V-101

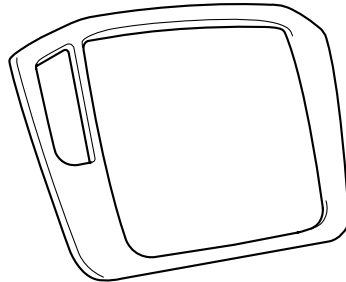
Application
2008 PILOT

Publications No.
All 37134

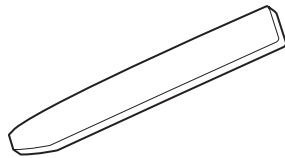
Issue Date
JUN 2007

PARTS LIST

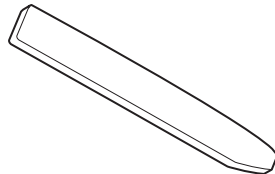
Dashboard center trim



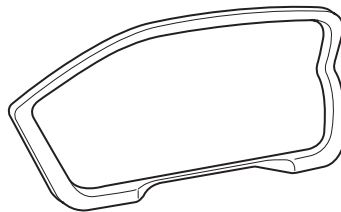
Right lower console trim



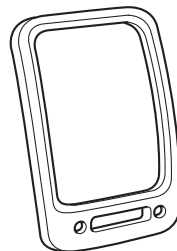
Left lower console trim



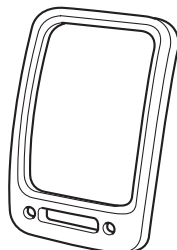
Meter trim



Right air outlet trim



Left air outlet trim



SUPPLIES REQUIRED

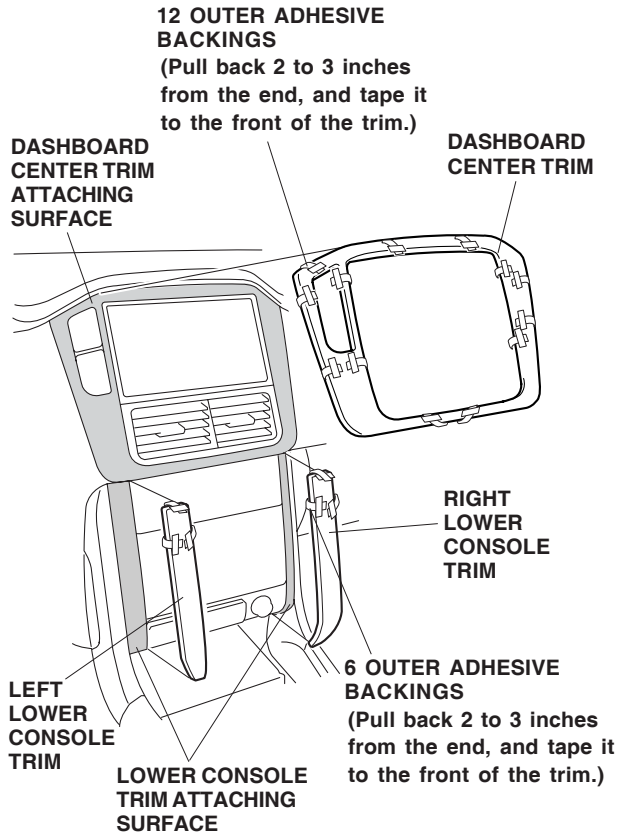
Isopropyl alcohol
Shop towel
Masking tape

INSTALLATION

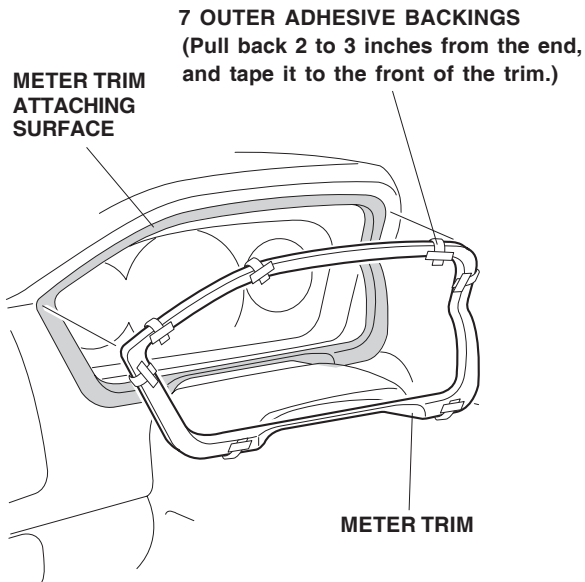
NOTE: This wood trim kit should be installed only if the outside air temperature is 60°F (15°C) or above.

1. Using isopropyl alcohol on a shop towel, thoroughly clean the areas where the wood-grain trims will be attached.
2. Attach a strip of masking tape to the end of each outer adhesive backing, and pull back 2 to 3 inches of the adhesive backing. Fold the ends back, and tape them to the front of the trim. If necessary, remove and discard the inner adhesive backings.
3. Position the trim on the existing panel. While applying light pressure on the trim, carefully remove the adhesive backings.
4. After installing the trim, use the palm of your hand to hold pressure against it for 30 seconds.

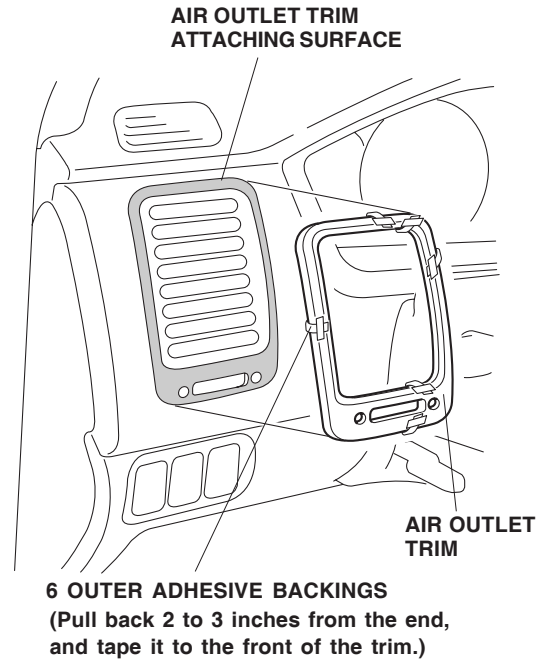
Dashboard Center Trim/ Lower Console Trim:



Meter Trim:



Right and Left Air Outlet Trim:



USE AND CARE

Use a sponge or soft cloth dampened with mild detergent and water solution. After cleaning, wipe with a clean, soft cloth. Do not use cleaners or polishers containing compounds to clean the wood-grain trim as they may damage the surface.