



# INSTALLATION INSTRUCTIONS

Accessory

HONDA MUSIC LINK  
(FOR IPOD®)

Application

2008 PILOT  
(WITH NAVI)

Publications No.

All 37116

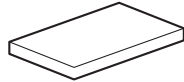
Issue Date

JUN 2007

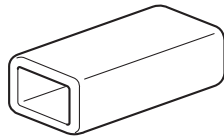
## PARTS LIST

Attachment Kit (sold separately)  
P/N 08A28-1H1-800

4 Cushion tapes



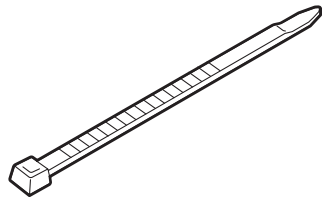
Holder cushion



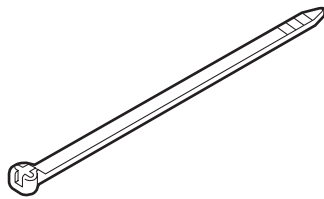
Grommet



8 Wire ties

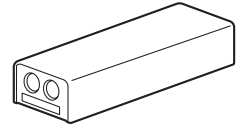


2 Long wire ties

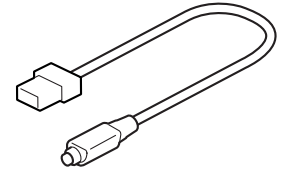


Music Link Adapter Kit (sold separately)  
P/N 08A28-1H1-100A

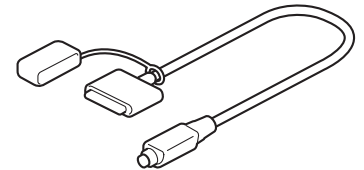
Music Link adapter unit



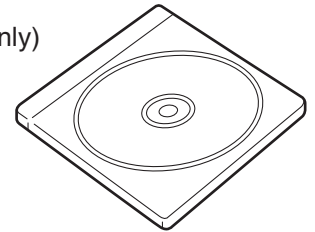
Bus cable



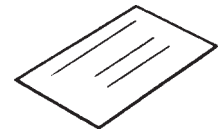
Music Link harness



CD-ROM  
(For home computer use only)

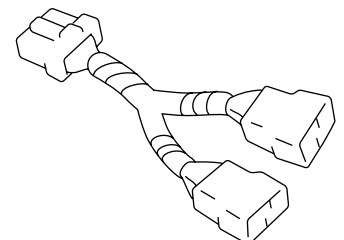


Quick reference guide



Bus Cable 2 Port Harness (sold separately)  
P/N 08A31-0F1-000

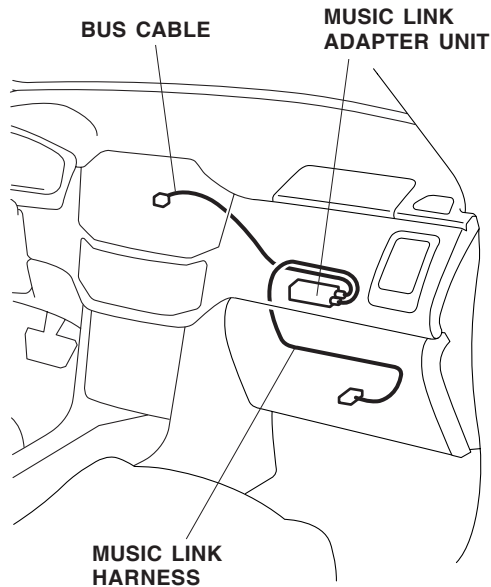
Bus cable 2 port harness



## TOOL AND SUPPLIES REQUIRED

#2 Phillips screwdriver  
Flat-tip screwdriver  
Diagonal cutters  
Scissors  
Ratchet  
10 mm Socket  
10 mm Combination wrenches  
Felt-tip pen  
Drill motor  
Drill bit (3 mm)  
Hole saw (20 mm)  
Shop towel  
Pushpin  
Eye protection  
Isopropyl alcohol  
Electrical tape

### Illustration of the Music Link System Installed on the Vehicle

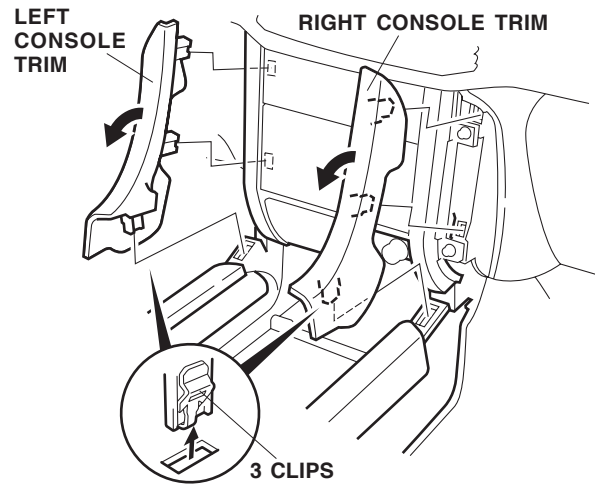


## INSTALLATION

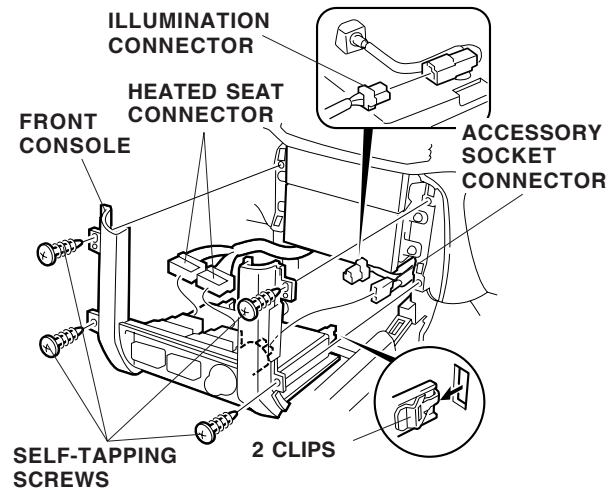
**Customer Information:** The information in this installation instruction is intended for use only by skilled technicians who have the proper tools, equipment, and training to correctly and safely add equipment to your vehicle. These procedures should not be attempted by “do-it-yourselfers.”

1. Make sure you have the radio anti-theft code, and the navi anti theft code, then write down the frequencies for the preset buttons.
2. Disconnect the negative cable from the battery.

3. Pull the top of the right console trim out toward you to release the two upper clips, then release the bottom clip. Remove the left console trim the same way.

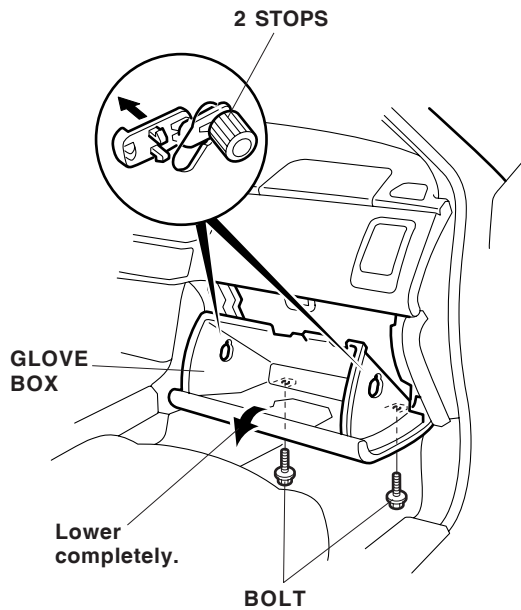


4. Remove the four self-tapping screws that fasten the front console.

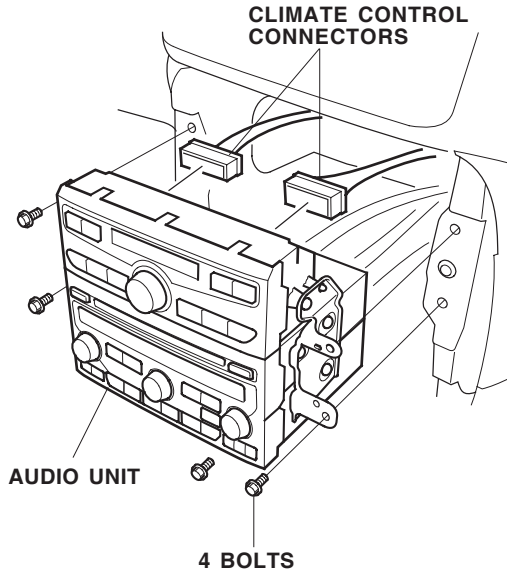


5. Pull out the front console to release the two clips, unplug the accessory socket connector, illumination connector, and the two heated seat connectors, then remove the front console.

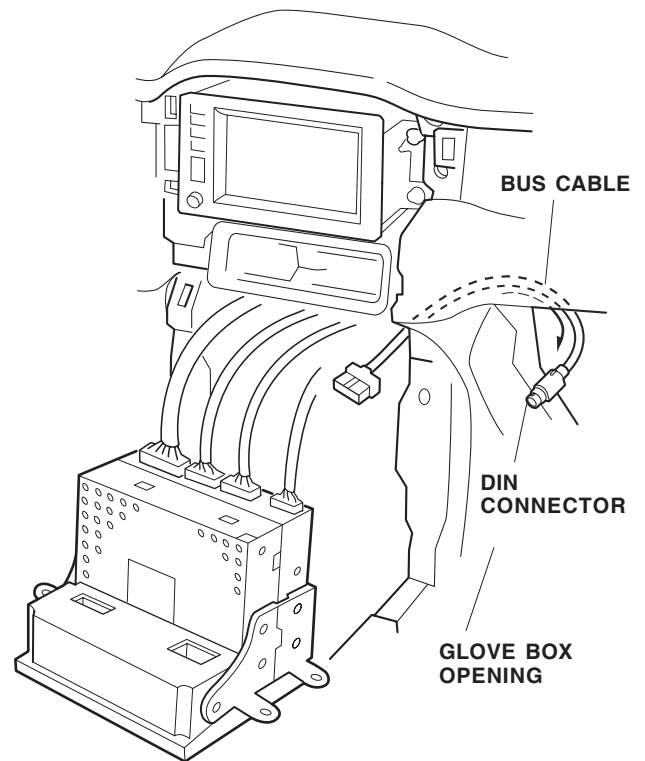
- Lower the glove box by removing the right and left stops. Remove the two bolts under the glove box, then remove the glove box.



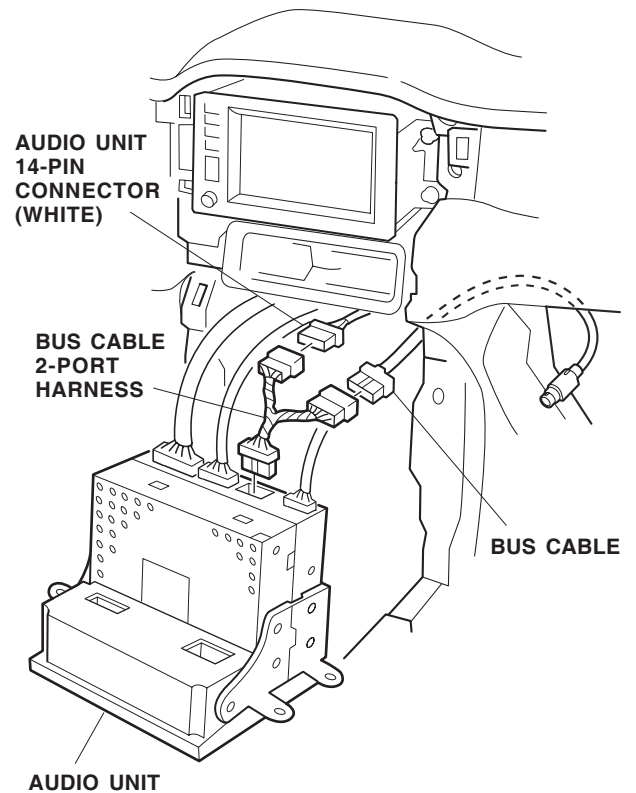
- Remove the audio unit bolts. Pull the audio unit out, unplug the climate control unit connectors, and tilt the audio unit down.



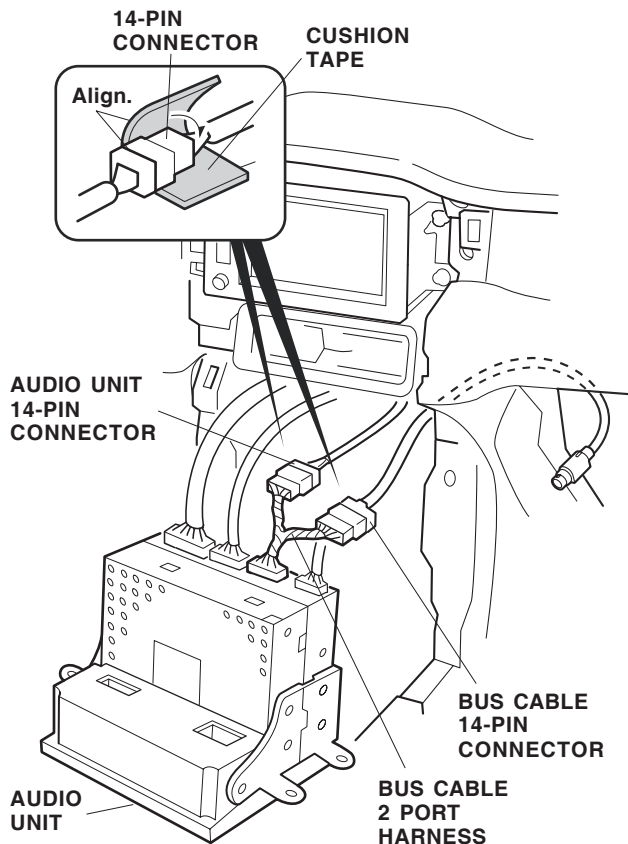
- Get the bus cable, and route the DIN connector end of the bus cable from the audio unit opening to the glove box opening.



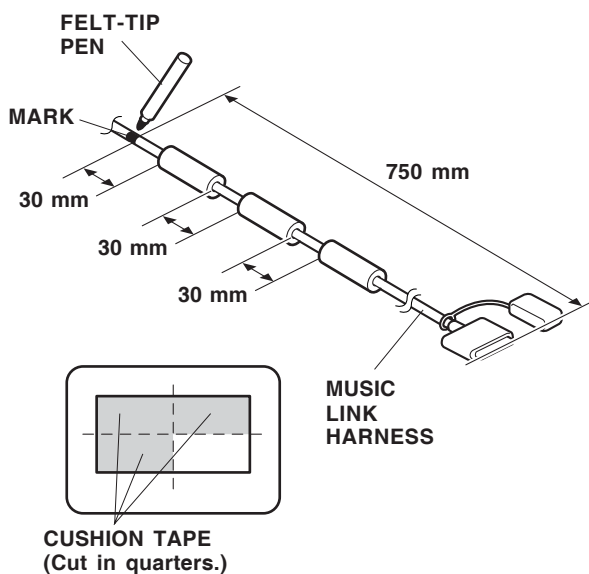
- Get the bus cable 2-port harness. Unplug the 14-pin connector (white) from the audio unit, and plug the bus cable 2-port harness into the audio unit 14-pin connector.



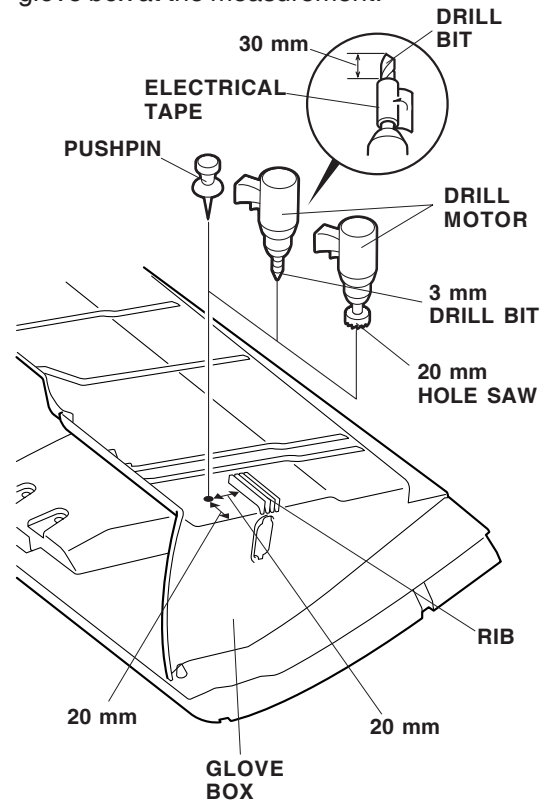
- Plug the audio unit 14-pin connector, and bus cable 14-pin connector into the bus cable 2 port harness 14-pin connectors.



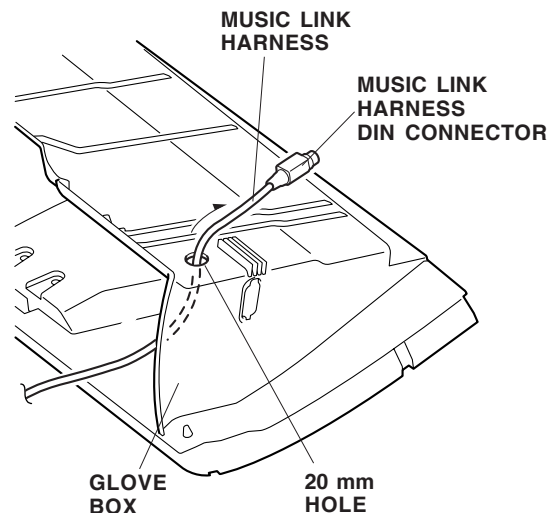
- Attach one cushion tape around each bus cable 2 port harness 14-pin connector.
- Reconnect the climate control connectors, and reinstall the audio unit (four screws).
- Get the Music Link harness. Using a felt-tip pen, measure and mark the Music Link harness at the measurement shown.



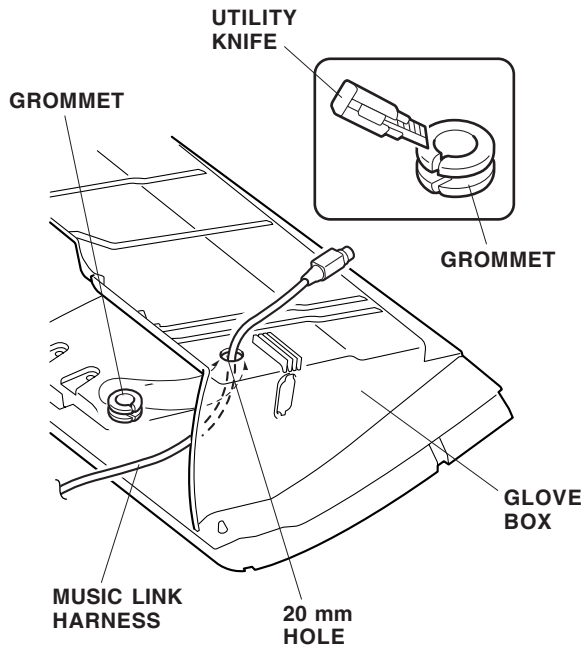
- Using scissors, cut one cushion tape into four pieces. Wrap three cut cushion tapes to the Music Link harness at the measurements shown.
- Measure and mark the glove box at the measurement shown. Using a pushpin, pierce the glove box at the measurement.



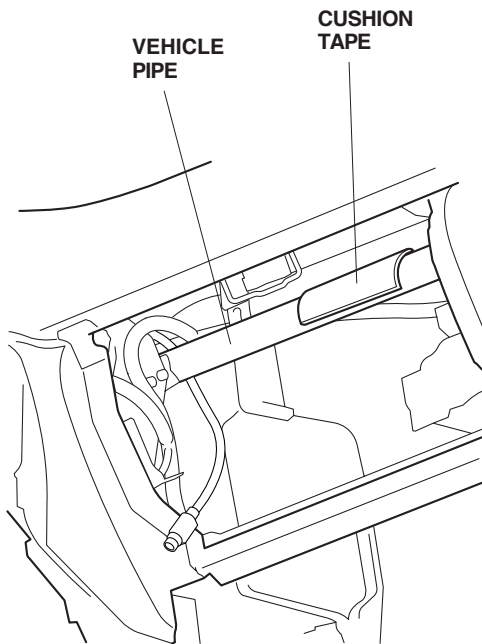
- Wrap a 3 mm drill bit with electrical tape 30 mm from the tip. While wearing eye protection, drill a 3 mm pilot hole through glove box. Enlarge the 3 mm hole to 20 mm using a holesaw. Remove all burrs from the hole.
- Route the Music Link harness DIN connector through the 20 mm hole in the direction shown.



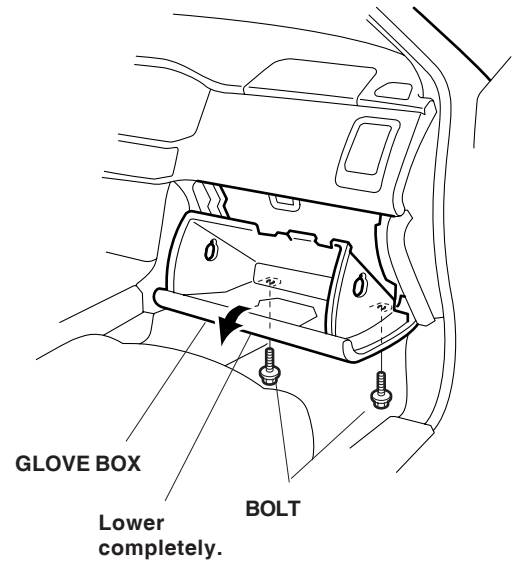
- Cut the rubber grommet as shown. Attach the rubber grommet to the Music Link harness, and seat the grommet into the 20 mm hole.



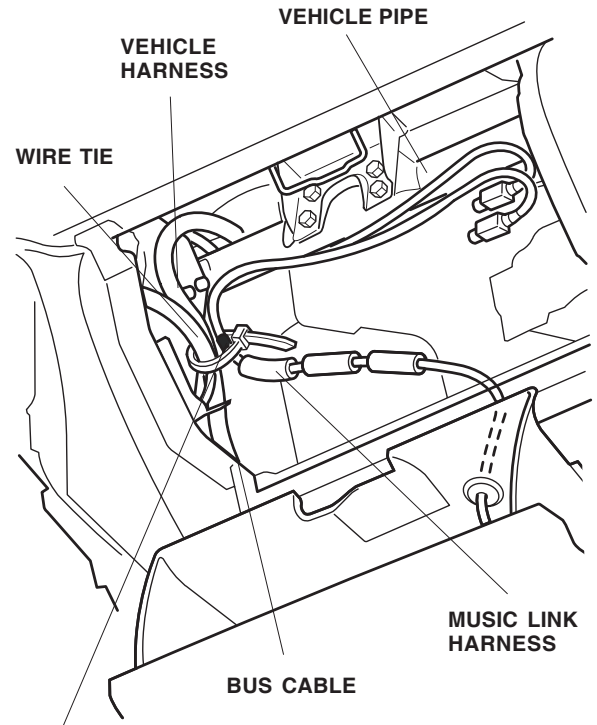
- Locate the vehicle pipe inside the glove box opening. Using isopropyl alcohol on a shop towel, clean the vehicle pipe where the cushion tape will attach. Attach a cushion tape to the vehicle pipe in the location shown.



- Reinstall the glove box with the two bolt, but let the glove box hang in the fully open position without the stops connected.



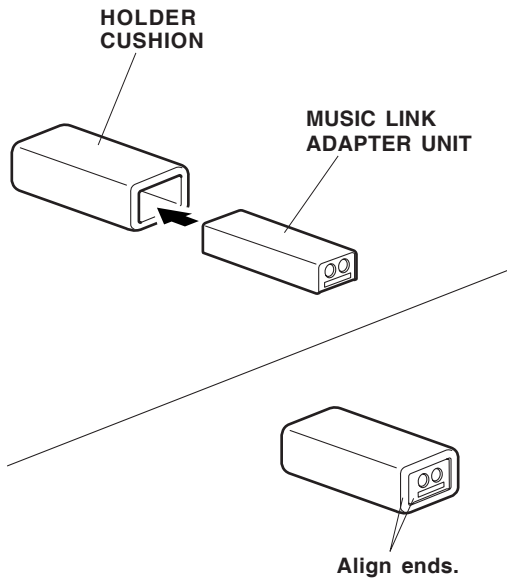
- Route the Music Link harness through the glove box opening, and secure it to the vehicle harness with one wire tie at the mark you made in step 13.



Mark made in step 13.

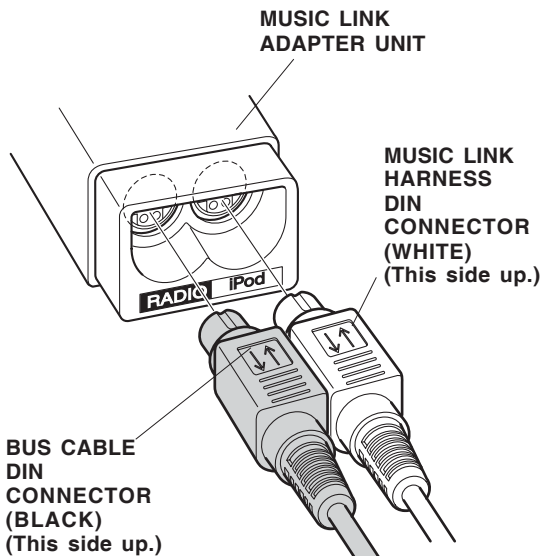
- Route the bus cable along the vehicle pipe with the Music Link harness.

23. Insert the Music Link adapter unit into the holder cushion.

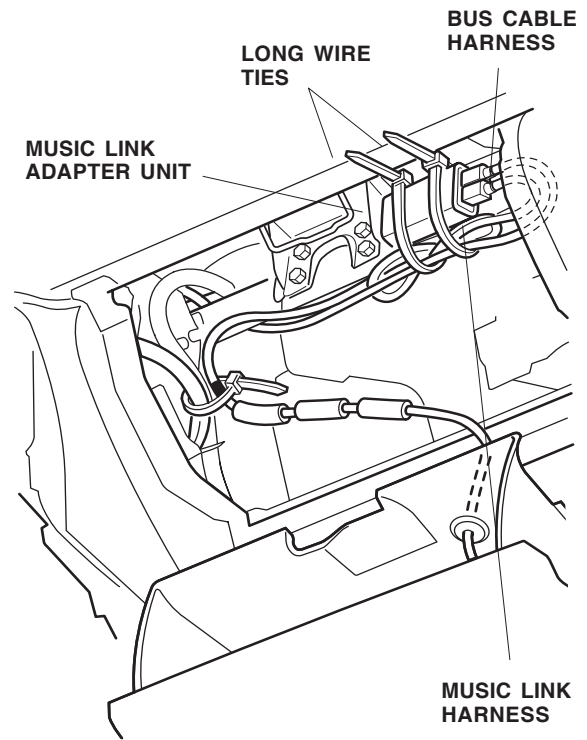


24. Connect the bus cable DIN connector (black) and the Music Link harness DIN connector (white) to the Music Link adapter unit.

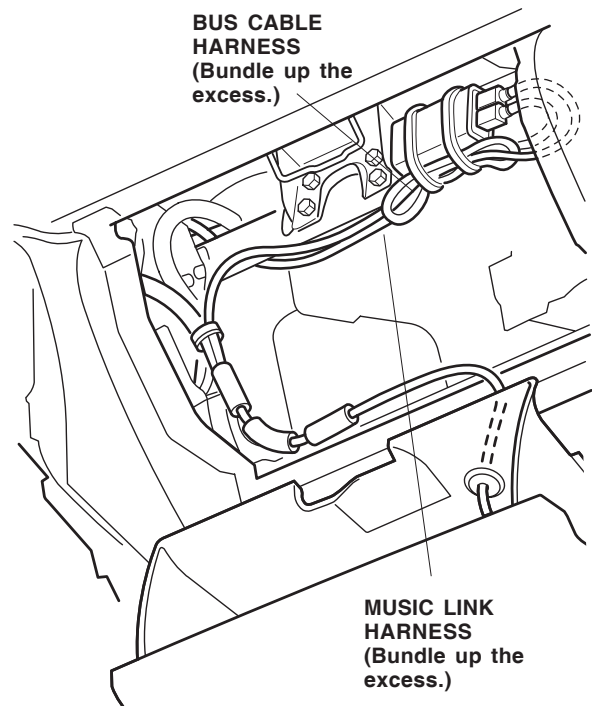
- The Music Link harness DIN connector (White) and the bus cable DIN connector (Black) are identical in form and size. Plug them into the proper locations.
- To avoid damaging connectors, plug the Music Link harness DIN connector (White) and the bus cable DIN connector (Black) in aligning their lock with their corresponding points of the Music Link adapter unit.



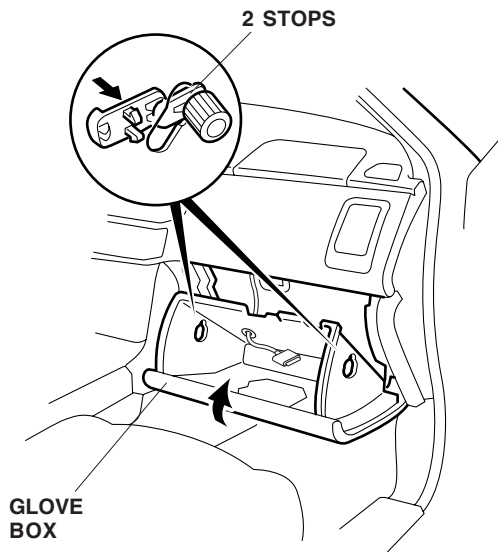
25. Loosely secure the Music Link adapter assembly and the Music Link harness to the cushion on the vehicle pipe with two long wire ties.



26. Bundle up the excess Music Link harness and the excess bus cable, and secure them to the vehicle pipe with the two long wire ties loosely installed in the above step.



27. Reinstall the glove box stops, and close the glove box.



28. Check that all wire harnesses are routed properly and all connectors are plugged in.
29. Reconnect the negative cable to the battery.
30. Enter the customer's radio anti-theft code, and reset the radio station presets and the clock.
31. Reinstall all removed parts.
32. Turn the radio unit ON. Check that "No Disc" is shown on the display while in the CD changer mode (the Music Link should be recognized as CD changer 4).  

NOTE: Whenever the battery is disconnected, the driver's AUTO function is disable.
33. Start the engine. Push down on the driver's window switch until the window is fully open.
34. Pull up on the driver's window switch fully to close the window completely, then hold the switch for 2 seconds or more.
35. Test the window AUTO function.