



INSTALLATION INSTRUCTIONS

Accessory

DOOR MIRROR COVERS
P/N 08R06-S9V-100

Application

2008 PILOT

Publications No.

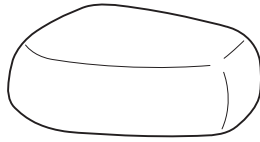
All 37156

Issue Date

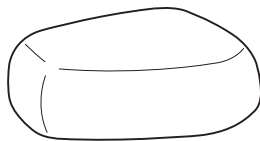
JUNE 2007

PARTS LIST

Left door mirror cover



Right door mirror cover



SUPPLIES REQUIRED

Isopropyl alcohol

Shop towel

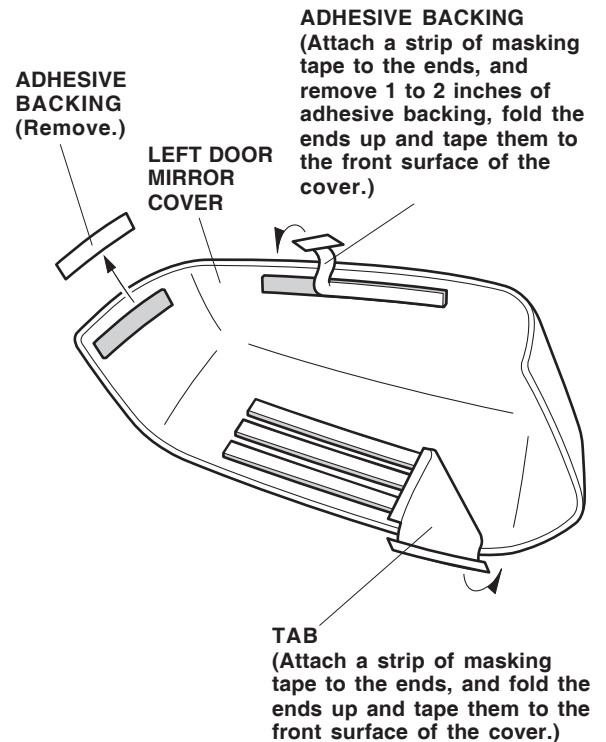
Masking tape

INSTALLATION

NOTE:

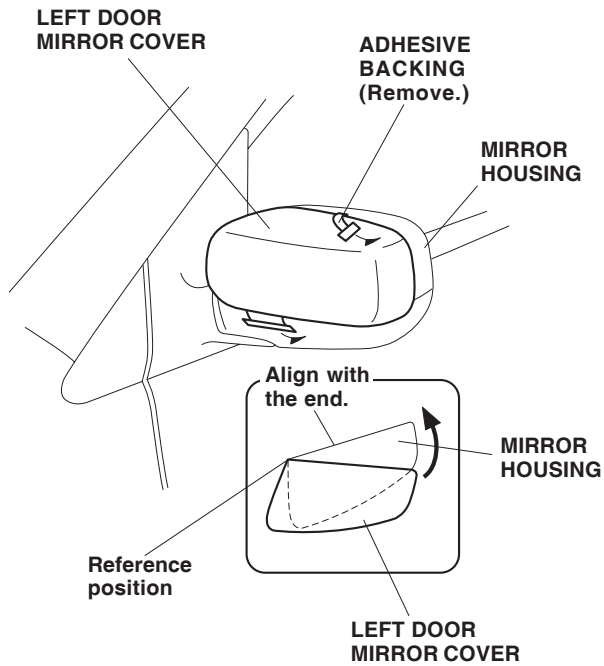
- Be careful not to damage the mirror housing finish.
- These instructions show the left door mirror cover being installed; the same procedure applies to installing the right door mirror cover.
- This door mirror cover should only be installed if the ambient air temperature is 60°F (15°C) or above.

1. Using isopropyl alcohol on a shop towel, clean the area where the left door mirror cover will attach.



2. Attach strips of masking tape to the ends of the upper adhesive backing and center tab and remove 1 to 2 inches of the backing. Fold the ends up and tape them temporarily to the surface of the door mirror cover. Remove the remaining adhesive backings.

3. Align the left door mirror cover at the reference position on the mirror housing, as shown. Using that position as the pivot point, apply the left door mirror cover to the mirror housing. Carefully remove the adhesive backings from the left door mirror cover while holding pressure on the cover.



4. Press the palm of your hand firmly on the mirror cover against the mirror for 30 seconds, particularly at the edges.
5. Repeat steps 1 thru 4 to install the other door mirror cover.