



INSTALLATION INSTRUCTIONS

Accessory

TAILGATE SPOILER

Application

2008 ELEMENT

Publications No.

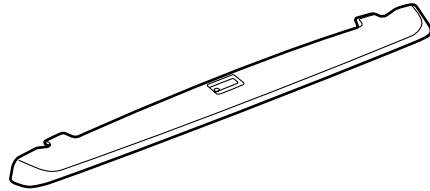
All 36548

Issue Date

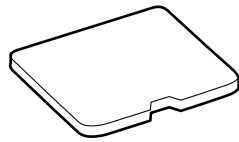
MAY 2007

PARTS LIST

Tailgate spoiler



Cover



Washer-screw



Collar



Turn nut



2 Foam adhesive washers



2 Cap nuts



TOOLS AND SUPPLIES REQUIRED

Phillips screwdriver

Eye protection (face shield, safety goggles, etc.)

Drill

3 mm, 6 mm, 8 mm and 10 mm Drill bits

Ratchet

10 mm Socket

Torque wrench

File

Duct tape

Masking tape

Shop towel

Isopropyl alcohol

Center punch

Touch-up paint

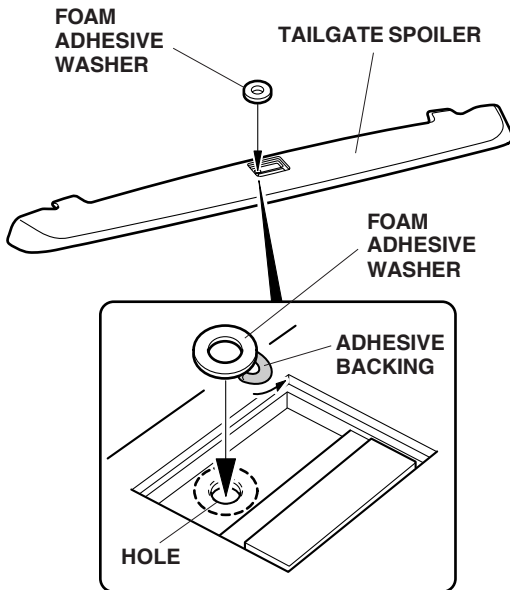
Felt-tip pen

INSTALLATION

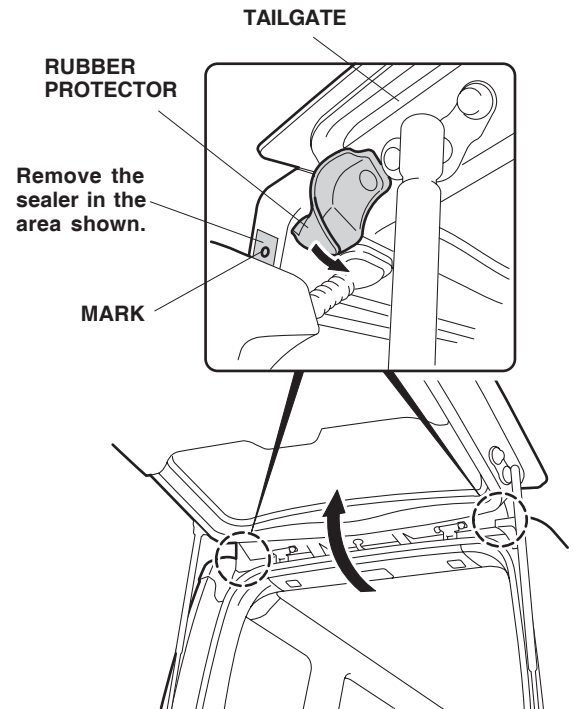
Customer Information: The information in this installation instruction is intended for use only by skilled technicians who have the proper tools, equipment, and training to correctly and safely add equipment to your vehicle. These procedures should not be attempted by “do-it-yourselfers.”

NOTE: Be careful not to damage the finished surfaces of the body when installing the tailgate spoiler.

1. Using isopropyl alcohol, clean the area around hole where the foam adhesive washer will attach.
2. Remove the adhesive backing from the foam adhesive washer and attach them around the holes of the tailgate spoiler.

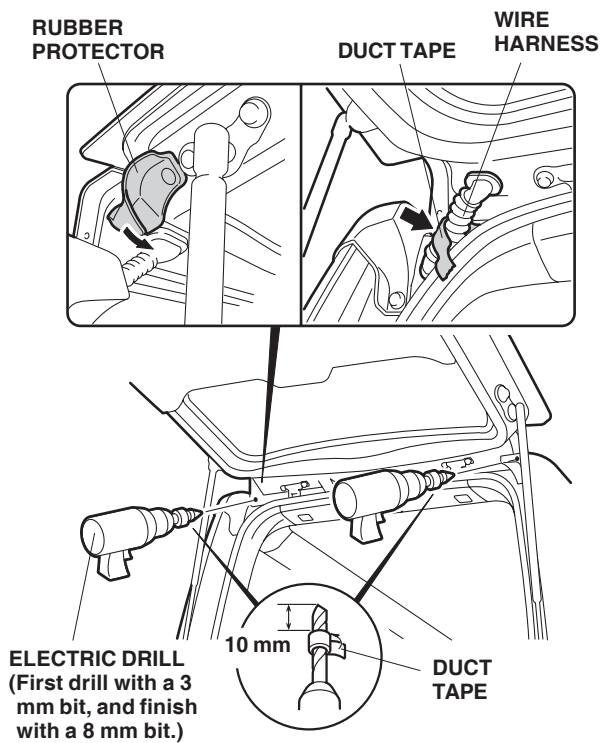


3. Open the tailgate. Under the rubber protector, locate the identification marks on the upper tailgate. If necessary, remove the sealer in the area shown.

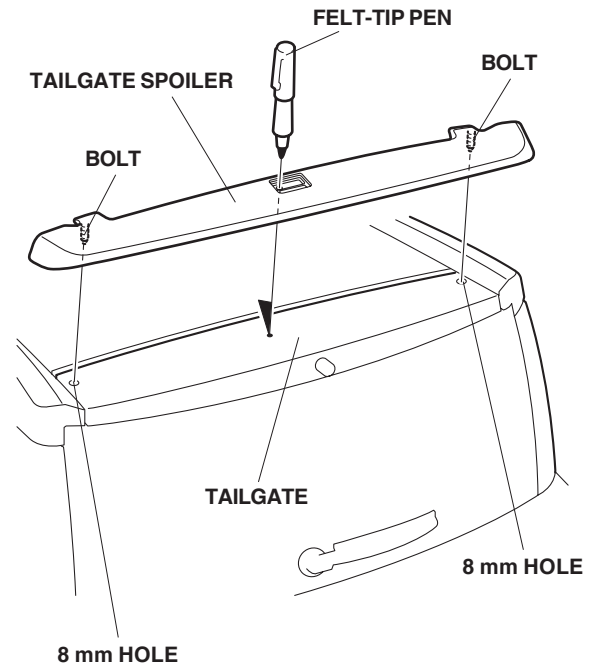


4. Center punch each identification mark.

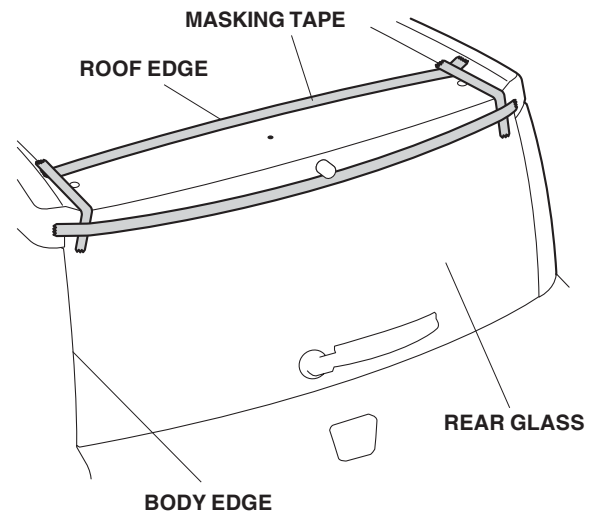
5. While wearing eye protection, drill a 8 mm hole through the tailgate at each of the two center-punched marks:
 - To prevent the metal shavings from falling on to the cargo floor, place a shop towel over the cargo floor.
 - To prevent damage to the roof panel, wrap duct tape around the drill bit at a point 10 mm away from the tip.
 - Before drilling, move and secure the wire harness located behind hole to prevent damaging the harness.
 - First drill with a 3 mm bit, and finish with a 8 mm bit.
 - After drilling, remove any burrs from the edges of all holes and apply touch-up paint. Allow the touch-up paint to dry thoroughly before proceeding to the next step.



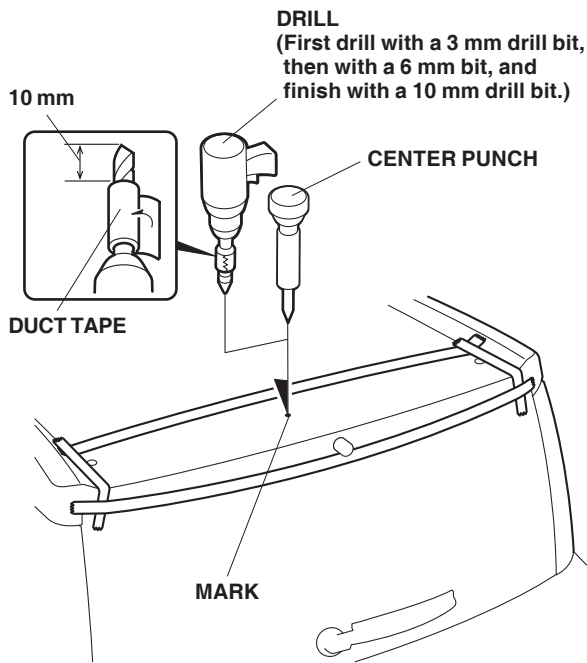
6. Temporary install the tailgate spoiler on the tailgate and insert the two bolts into the 8 mm holes. Using a felt-tip pen, mark the tailgate through the center hole in the tailgate spoiler. Remove the tailgate spoiler being careful not to drop the bolt on the vehicle.



7. To prevent metal shavings from entering the vehicle, apply masking tape to the tailgate in the area shown.

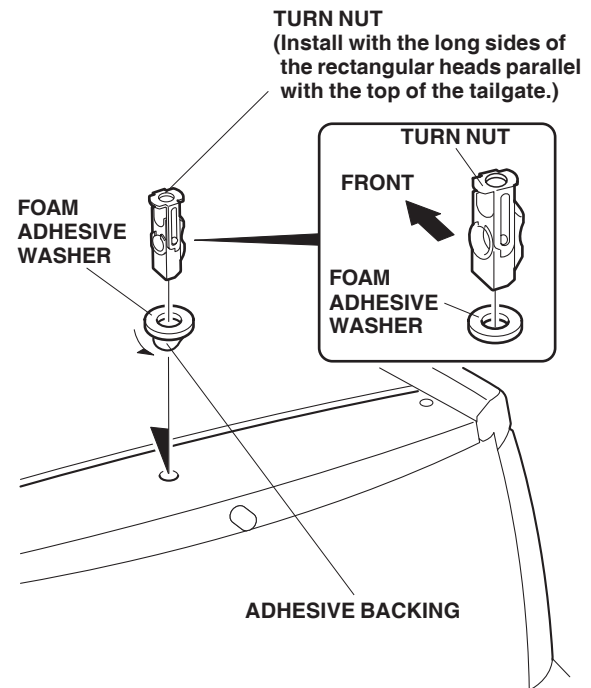


8. Lightly center-punch the mark you made in the tailgate.

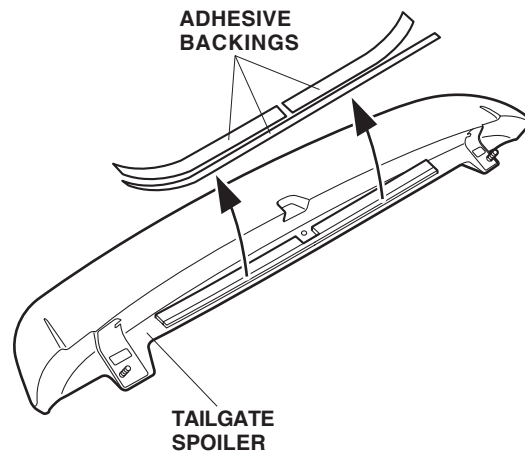


9. While wearing eye protection, drill a 10 mm hole through the center-punched location:
- Apply duct tape 10 mm from the end of a 3 mm drill bit, a 6 mm drill bit, and a 10 mm drill bit.
 - Drill a 10 mm hole at the location starting with a 3 mm drill bit, then a 6 mm drill bit, and finish with a 10 mm drill bit.
 - Remove all burrs and apply touch-up paint to the edges of the holes.
 - Remove the masking tape.
 - Open the tailgate and remove all metal shavings.

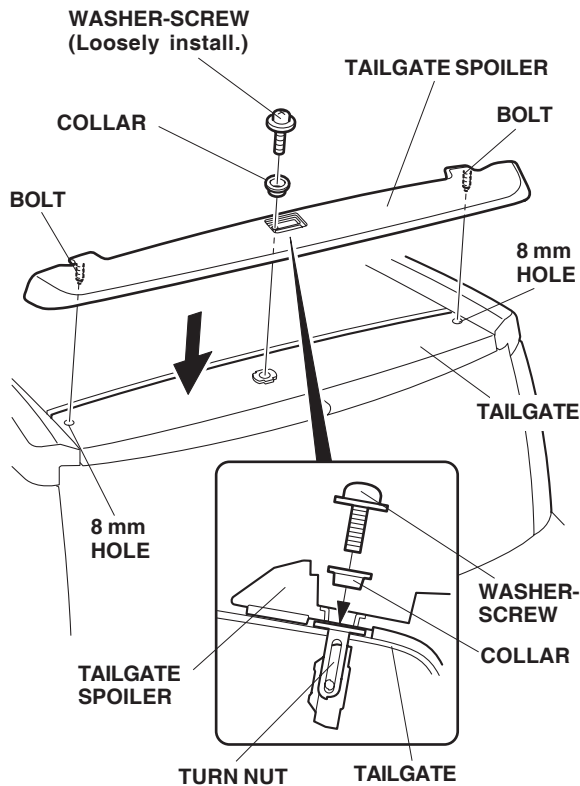
10. Using isopropyl alcohol, clean the area around hole where the foam adhesive washer will attach.



11. Remove the adhesive backing from the foam adhesive washer and attach one washer to the tailgate over the 10 mm hole you just drilled.
12. Install the turn nut through the hole in the tailgate. Install the turn nut with the long sides of the rectangular heads parallel with the top of the tailgate.
13. Remove all the adhesive backings from the tailgate spoiler.

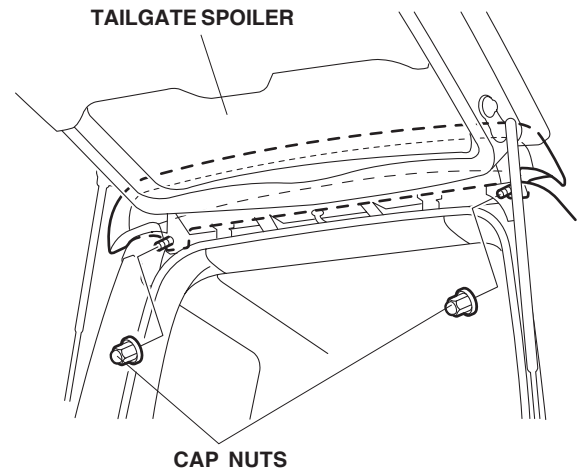


- Using isopropyl alcohol, clean the tailgate area where the adhesive tape will attach.

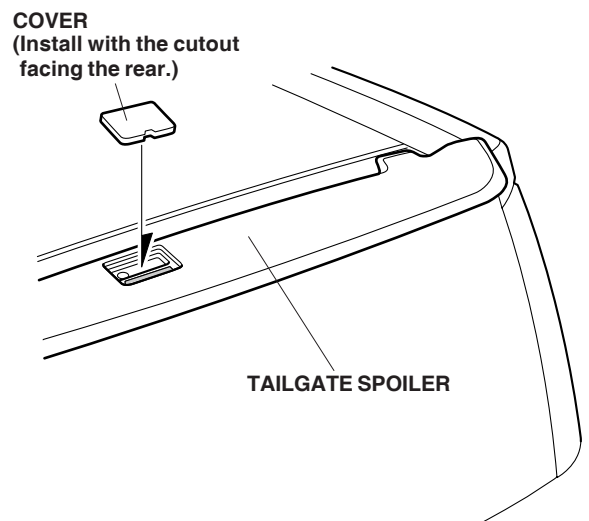


- Position the tailgate spoiler on the tailgate and insert the two bolts into the 8 mm holes in the tailgate. Loosely install the washer-screw and the collar through the center hole in the tailgate spoiler and into the turn nut. Be careful not to drop the bolts on the vehicle.

- Open the tailgate and install two cap nuts. Do not tighten the cap nuts yet.



- Close the tailgate. Torque the washer-screw to 4.0 N·m (3.0 lb-ft).
- Open the tailgate. Torque the cap nuts to 6.0 N·m (4.4 lb-ft).
 - Do not exceed the specified torque to tighten the cap nut.
 - When the rubber protector becomes deformed, push it back into position.
- Install the cover on the tailgate spoiler with the cutout facing the rear.



- Press down and hold the tailgate spoiler at the adhesive tapes to the tailgate for 30 seconds.