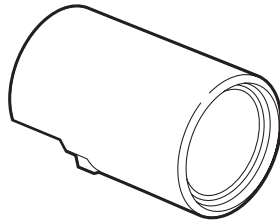
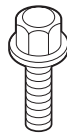


**PARTS LIST**

Exhaust pipe finisher



Flange bolt

**TOOLS REQUIRED**

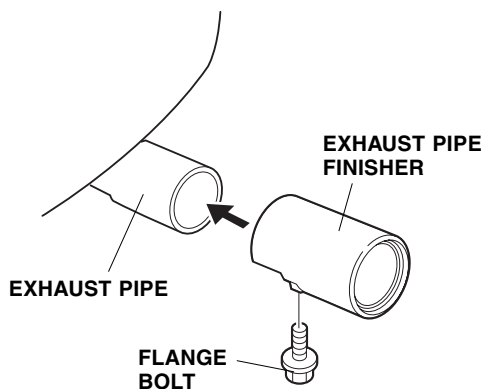
10 mm Socket

Torque wrench

**INSTALLATION****NOTE:**

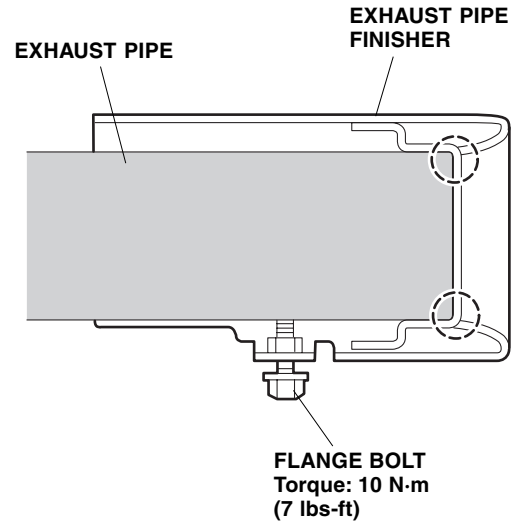
Allow the exhaust pipe to cool down before you install the exhaust pipe finisher.

1. Partially thread the flange bolt into the exhaust pipe finisher.



2. With the flange bolt facing down, slide the exhaust pipe finisher onto the exhaust pipe until it bottoms.

3. While pushing the exhaust pipe finisher firmly against the exhaust pipe, tighten the flange bolt. Torque the flange bolt to 10 N·m (7 lbs-ft.)



4. Start the engine and rev it up a few times. Listen for vibration from the exhaust pipe finisher and adjust if necessary.