



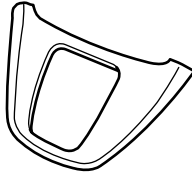
# INSTALLATION INSTRUCTIONS

<b>Accessory</b> <b>INTERIOR PANEL SET</b> <b>P/N 08Z03-SWA-100</b>	<b>Application</b> <b>2008 CR-V</b> <b>(EX-LX)</b>	<b>Publications No.</b> <b>All 37511</b>
		<b>Issue Date</b> <b>AUG 2007</b>

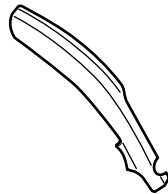
## PARTS LIST

### Interior Panel Kit A (Vehicle without Seat Heater Switches)

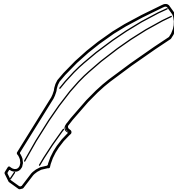
Shifter panel



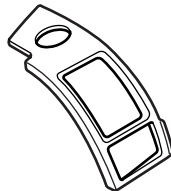
Center panel (Left)



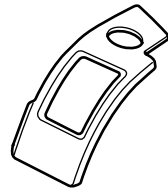
Center panel (Right)



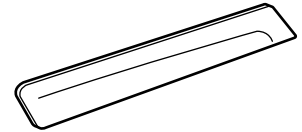
Outlet panel (Left)



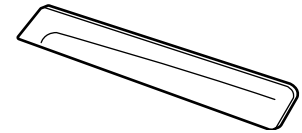
Outlet panel (Right)



Front door side panel (Left)



Front door side panel (Right)



Rear door side panel (Left)



Rear door side panel (Right)



## TOOLS AND SUPPLIES REQUIRED

- Masking tape
- Shop towel
- Isopropyl alcohol

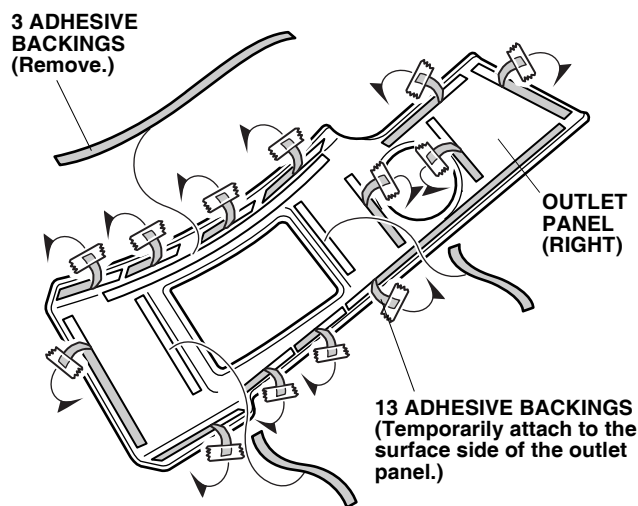
## BEFORE YOU BEGIN

### NOTE:

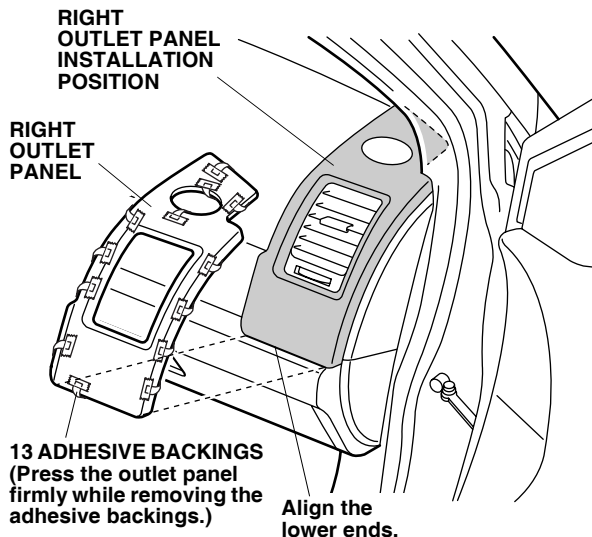
- Be careful not to damage the body paint finish.
- This interior trim kit should be installed only if the ambient air temperature is 60°F (15°C) or above.

## INSTALLATION

1. Using isopropyl alcohol on a shop towel, thoroughly clean the areas where the interior trims will attach.
2. Attach a strip of masking tape to the end of each of the adhesive backings on the inner side of the right outlet panel (right). Peel back the adhesive backings partway and temporarily attach them to the surface side of the right outlet panel as shown.
3. Remove and discard the three remaining adhesive backings as shown.

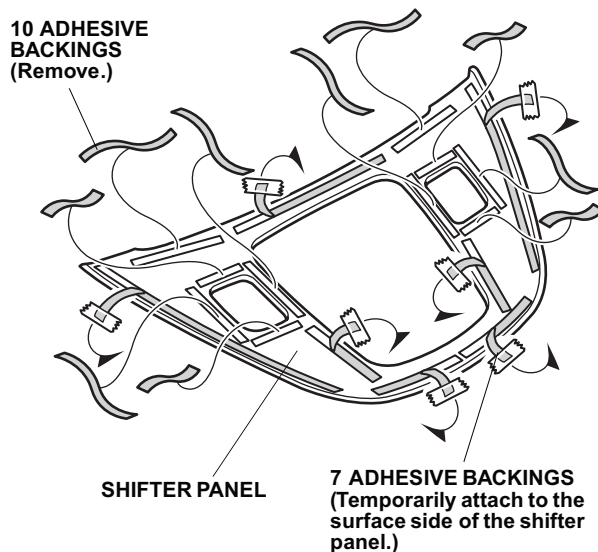


4. Position the right outlet panel in position; align the lower end with the lower end of the right-side dash existing outlet panel. Press the right outlet panel firmly while removing the adhesive backings that you temporarily attached to the surface side of the outlet panel. Remove the upper adhesive backings first, then the lower ones. Press the right outlet panel firmly to attach, especially at the ends of the panel.

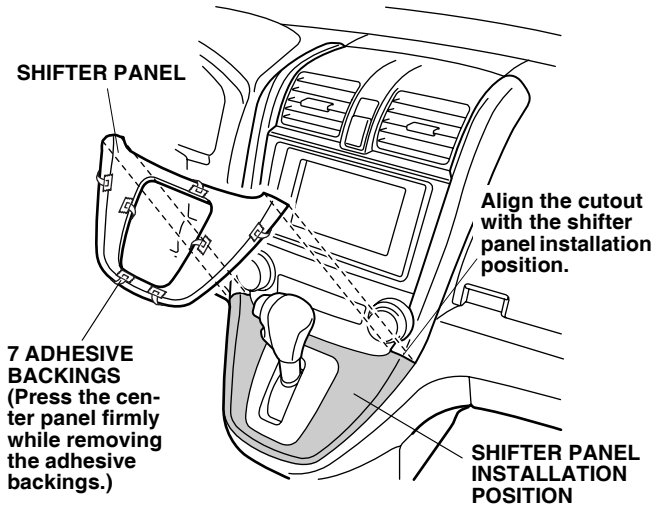


5. Repeat steps 2 thru 4 to install the left outlet panel.

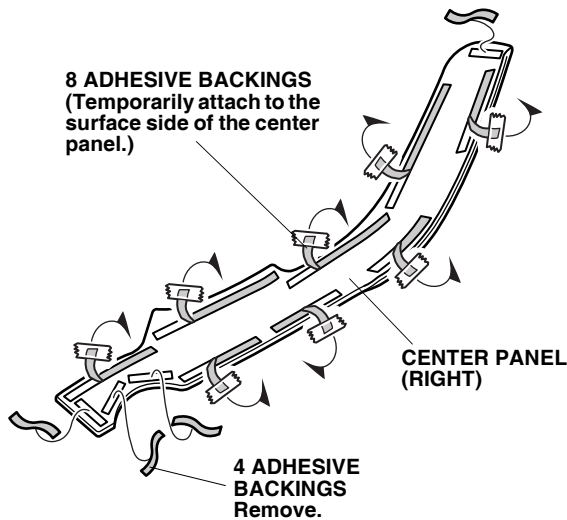
6. Attach a strip of masking tape to the end of each of the adhesive backings on the inner side of the shifter panel. Peel back the adhesive backings partway and temporarily attach them to the surface side of the shifter panel as shown.
7. Remove the 10 remaining adhesive backings as shown.



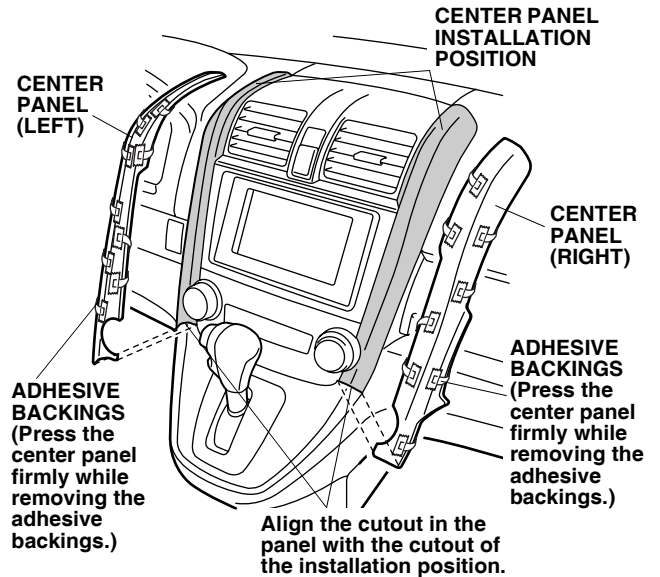
- Position the shifter panel in position; align the cutout with the cutout on the existing shifter panel. Press the shifter panel firmly while removing the adhesive backings that you temporarily attached to the surface side of the shifter panel. Remove the upper adhesive backings first, then the lower adhesive backings. Press the center panel firmly to attach, especially at the ends of the panel.



- Attach a strip of masking tape to the end of each of the right and left adhesive backings on the inner side of the center panel. Peel back the adhesive backings partway and temporarily attach them to the surface side of the right and left center panel.
- Remove and discard the four remaining adhesive backings as shown.

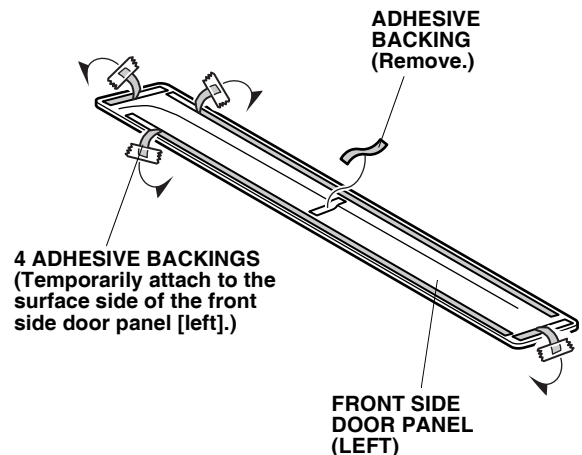


- Position the right center panel and left center panel in their respective positions; align the cutout with the cutout of the existing center panels. Press the center panels firmly while removing the adhesive backings that you temporarily attached to the surface side of the center panel. Remove the lower adhesive backings first, then the upper adhesive backings. Press the right and left center panels firmly to attach, especially at the ends of the panels.

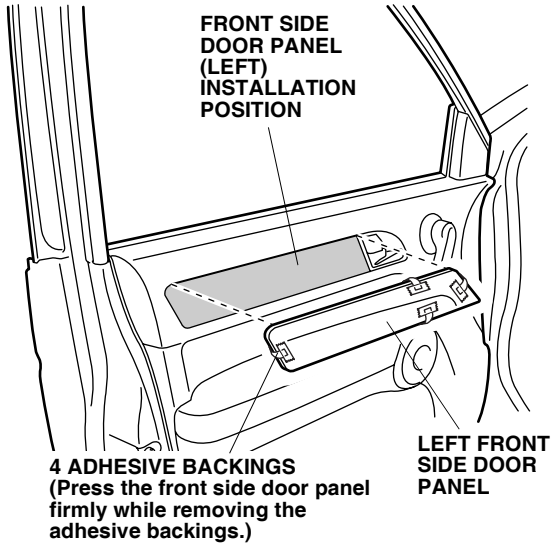


### Door Side Panel

- Attach a strip of masking tape to the end of each of the adhesive backings on the inner side of the front left side door panel. Peel back the adhesive backings partway and temporarily attach them to the surface side of the left front side door panel.
- Remove and discard the remaining adhesive backing as shown.



14. Position the left front side door panel on the existing left front side door panel and press it firmly while removing the adhesive backings that you temporarily attached to the surface side. Press the front side door panel (left) firmly to attach, especially at the ends of the panel.



15. Repeat steps 12 thru 14 on the right side.