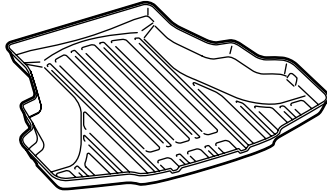


PART LIST

Trunk tray

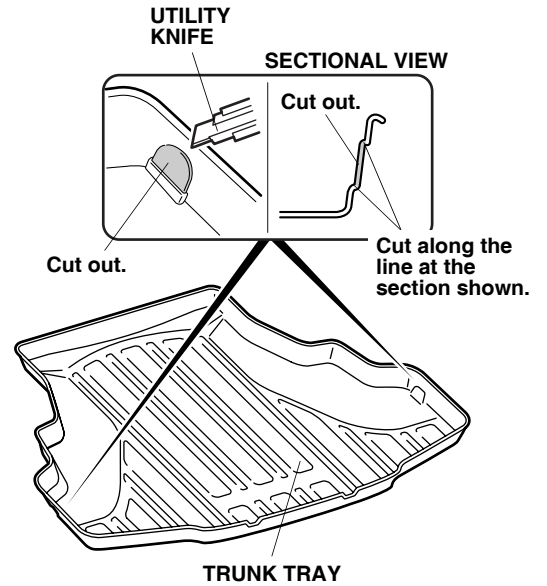
**TOOL REQUIRED**

Utility knife

INSTALLATION

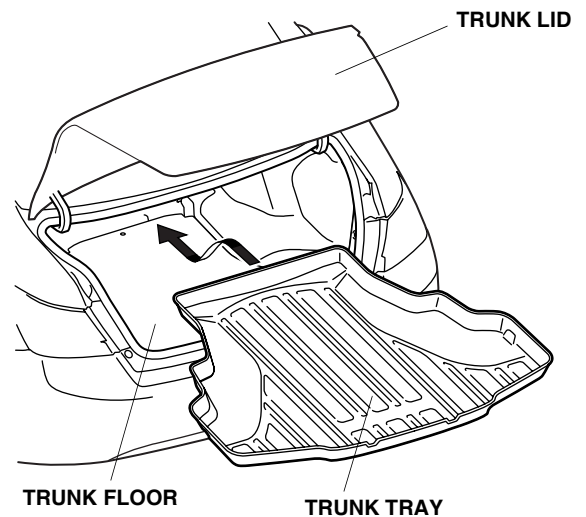
When both the trunk tray and cargo net are mounted on the vehicle, continue with step 1. When the trunk tray is not mounted together with the cargo net, go to step 2.

1. Using a utility knife, cut out the two points of the trunk tray as shown.



732609AE

2. Open the trunk lid. Place the trunk tray on the trunk floor.



7125010B