



INSTALLATION INSTRUCTIONS

Accessory
BODY SIDE MOLDING
P/N 08P05-TA0-100

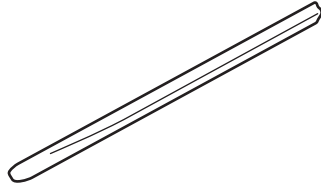
Application
2008 ACCORD
4-DOOR

Publications No.
All 37098

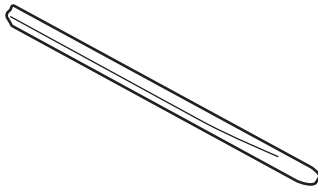
Issue Date
AUG 2007

PARTS LIST

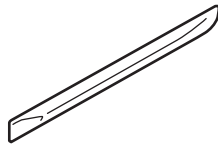
Left front body side molding



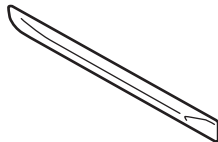
Right front body side molding



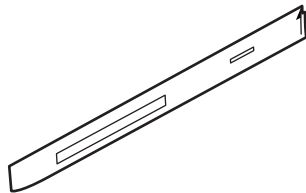
Left rear body side molding



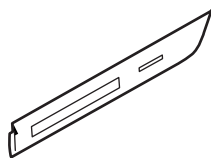
Right rear body side molding



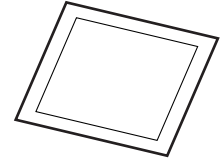
Front template



Rear template



4 Alcohol swabs



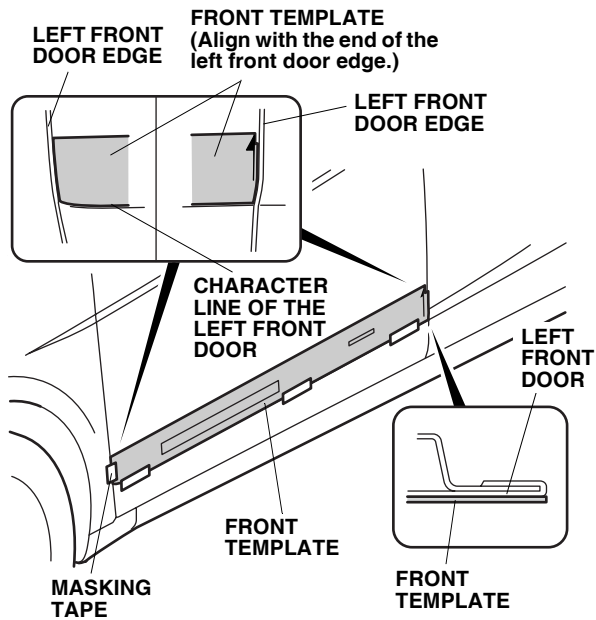
TOOLS AND SUPPLIES REQUIRED

Shop towel
Masking tape

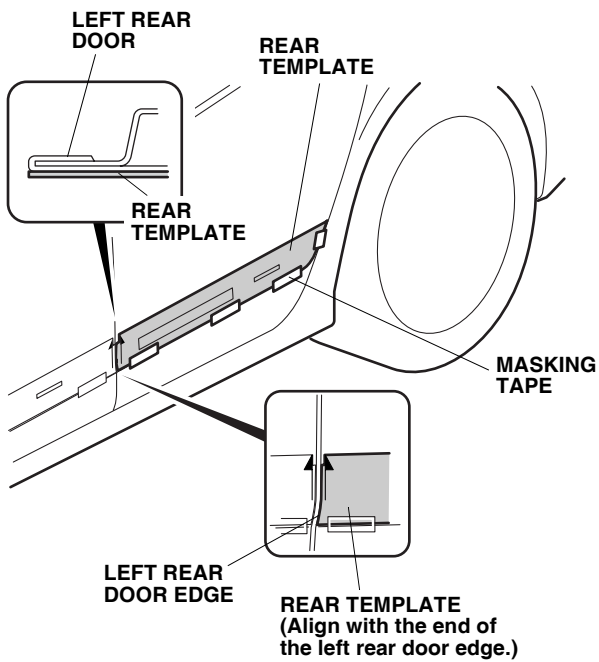
INSTALLATION

- Be careful not to damage the body paint finish.
- The body side molding kit should be installed only if the ambient air temperature is 60°F (15°C) or above.
- To allow the adhesive to cure, do not wash the vehicle for 24 hours.
- These instructions are for the left side of the vehicle. The same procedure applies to the right side of the vehicle.
- If you're also installing door edge guards (sold separately), install them before you install the body side moldings.

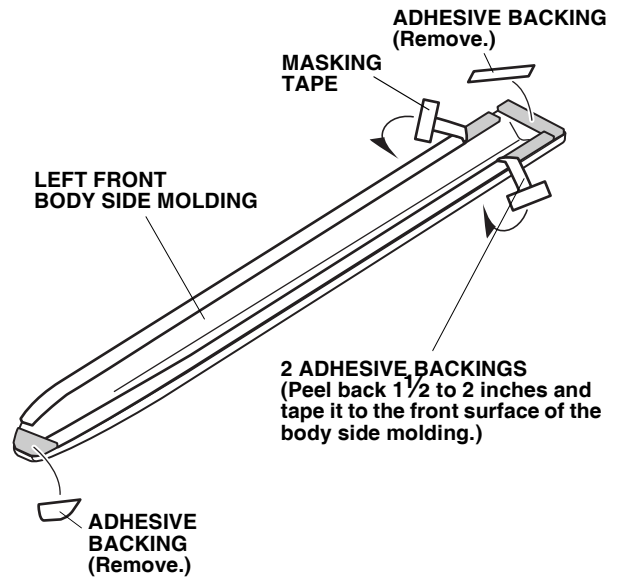
1. Position the front template in the position shown by aligning it with the end of the left front door edges and the character line of the left front door. Secure the template with masking tape as shown.



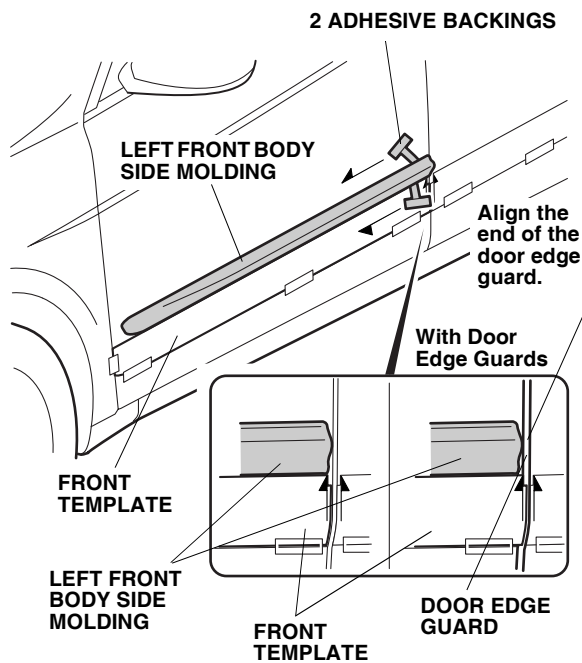
2. Position the rear template in the position shown by aligning it with the end of the left rear door edge. Secure the rear template with masking tape as shown.



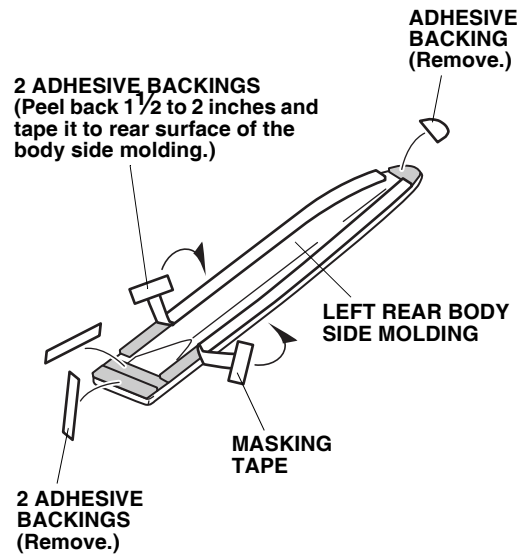
3. Clean the surface where the left body side moldings will be attached using the alcohol swab. Allow the alcohol to dry completely.
4. Peel back approximately 1½ to 2 inches of adhesive backing from each adhesive tape, and tape the ends to the front surface of the body side molding. Remove the small end pieces of adhesive backing.



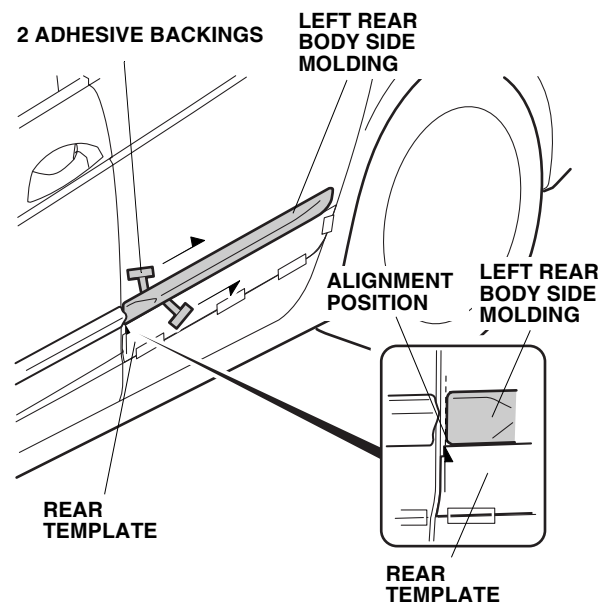
5. Align the end of the left front body side molding with the front template as shown and temporarily attach it along the top edge of the front template. If the vehicle has the door edge guards installed, align the end with the door edge guards.
6. Press on the side molding firmly with the palm of your hand while removing the adhesive backings. Remove about 2 to 4 inches at a time while pressing on the molding with the palm of your hand.



7. Peel back approximately 1-1/2 to 2 inches of the adhesive backing from each adhesive tape, and tape the ends to the outside surface of the molding. Remove the other adhesive backings.



8. Align the end of the left rear body side molding with the rear template as shown and temporarily attach it along the top edge of the rear template.



9. Press on the molding firmly with the palm of your hand while removing the adhesive backings. Remove about 2 to 4 inches at a time pressing on the molding with the palm of your hand.
10. Remove the templates.
11. Turn the templates over and repeat steps 1 through 10 to install the body side molding on the right side of the vehicle.