



# INSTALLATION INSTRUCTIONS

Accessory

FRONT GRILLE  
P/N 08F21-SJC-100

Application

2007 RIDGELINE

Publications No.

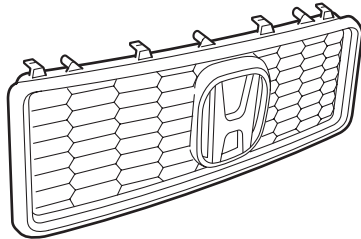
All 32454

Issue Date

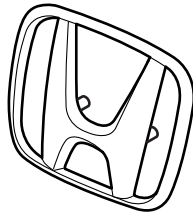
MAY 2006

## PARTS LIST

Front grille



"H" emblem



## TOOLS AND SUPPLIES REQUIRED

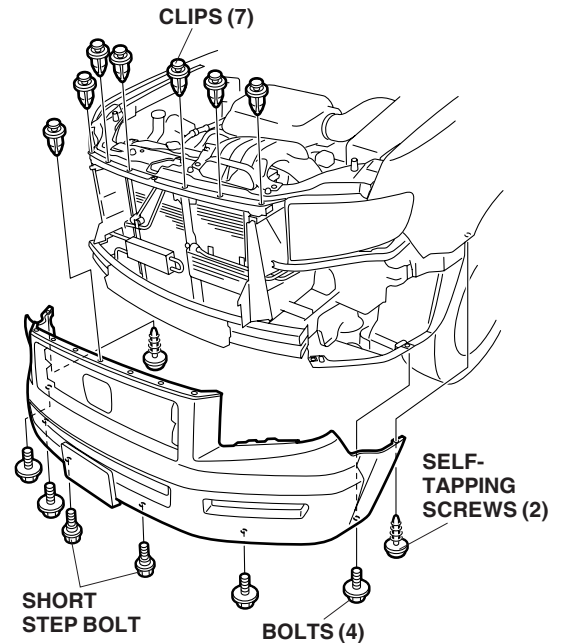
Phillips screwdriver  
Flat-tip screwdriver  
Ratchet  
10 mm Socket  
Blanket

## INSTALLATION

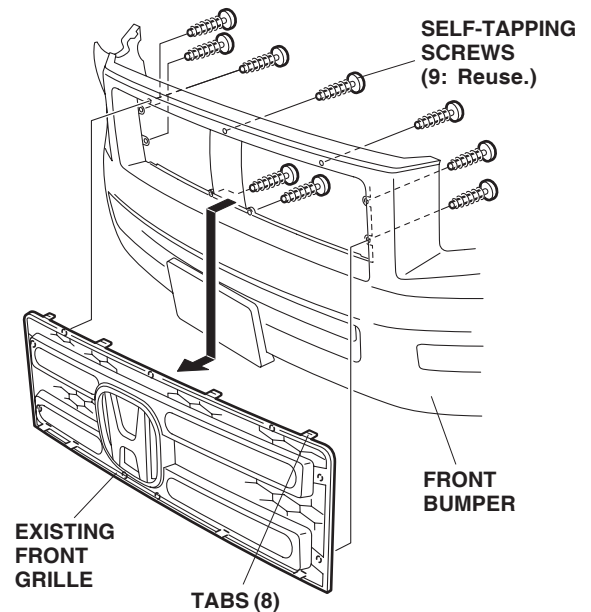
**Customer Information:** The information in this installation instruction is intended for use only by skilled technicians who have the proper tools, equipment, and training to correctly and safely add equipment to your vehicle. These procedures should not be attempted by "do-it-yourselfers."

NOTE: Be careful not to damage the body finish.

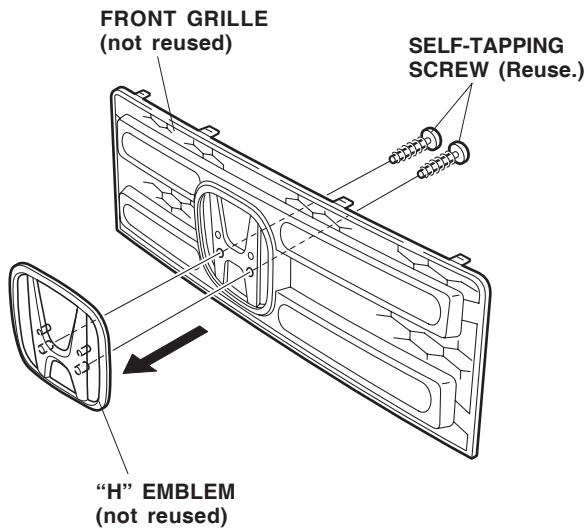
1. Open the hood, and remove the front bumper (seven clips, four bolts, two short step bolts and two self-tapping screws). Place the front bumper on a blanket.



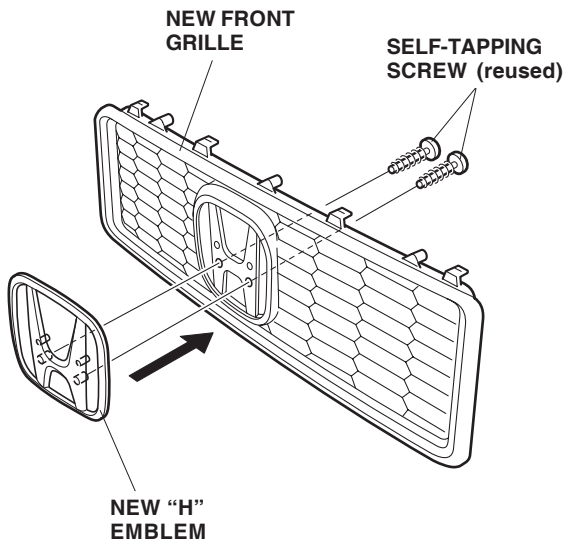
2. Remove the existing front grille (nine self-tapping screws and eight tabs).



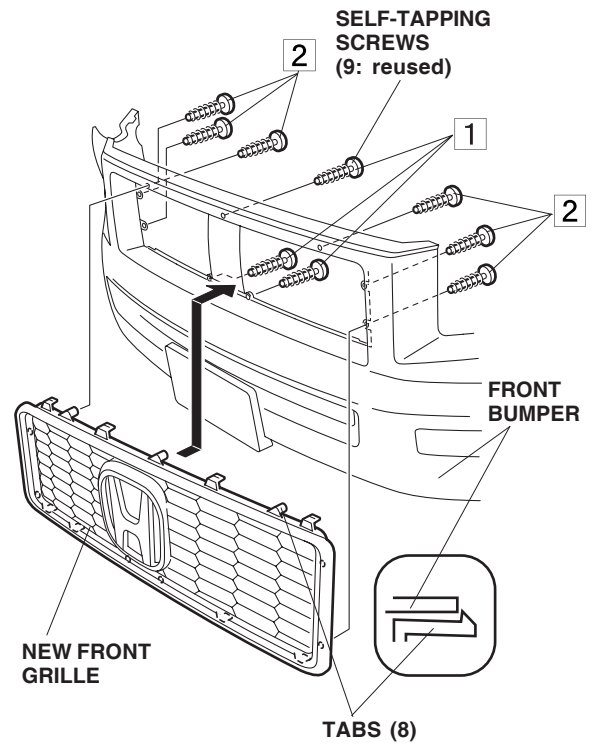
- Remove the two self-tapping screws that secure the "H" emblem and remove the emblem.



- Slide the pins from the new "H" emblem into the holes in the new front grille, and install the two self-tapping screws you just removed.



- Position the new front grille on the front bumper, and install it with the eight retaining tabs.



- Reinstall the nine self-tapping screws on the new front grille, and tighten them in the order shown.
- Reinstall the front bumper.