



INSTALLATION INSTRUCTIONS

Accessory

LUGGAGE BASKET
P/N 08L04-S9V-100

Application

2007 ODYSSEY

Publications No.

All 33178

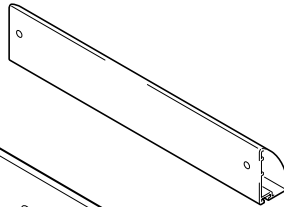
Issue Date

JULY 2006

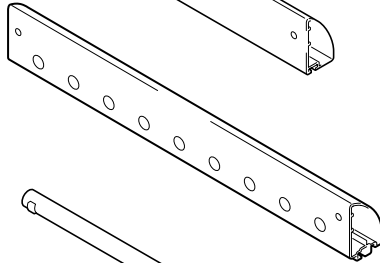
Put this information in the glove box with the vehicle owner's manual.

PARTS LIST

2 Frames A



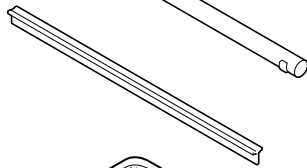
2 Frames B



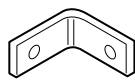
9 Pipes



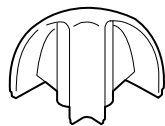
Flap



4 L-brackets



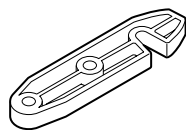
4 Bracket covers A



4 Bracket covers B



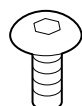
4 Brackets A



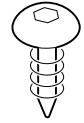
8 Bolts



8 Screws



8 Self-tapping screws



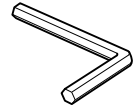
8 Nuts



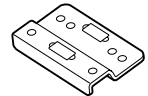
8 Washers



Hex wrench



4 Brackets B



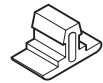
8 Square nuts



8 Socket bolts



8 Rubber pads



TOOLS REQUIRED

Phillips screwdriver

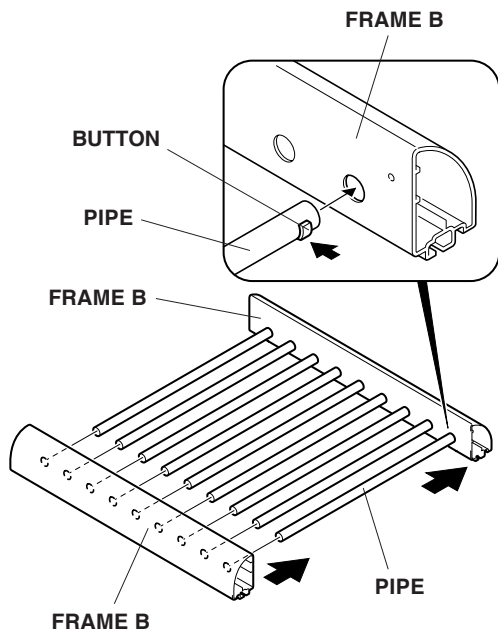
10 mm Combination wrench

INSTALLATION

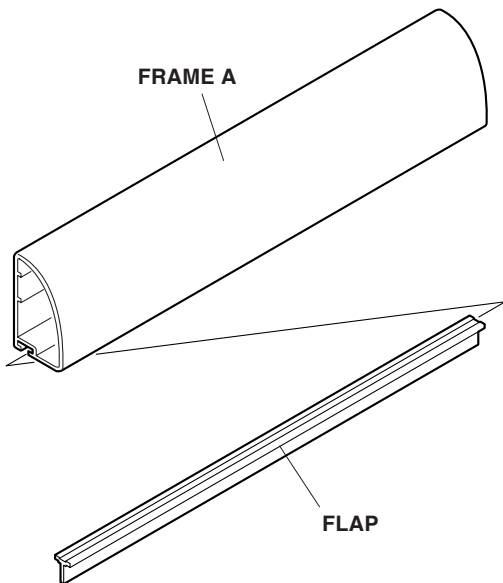
NOTE:

- Be careful not to damage the roof and finished surfaces of the body when installing the luggage basket.
- Be careful before entering automatic car washes. Check the vehicle height limit of the automatic car wash and the height of the vehicle.
- The maximum load capacity for this product is 110 lb (50 kg); approximate product weight is 12 lb (5 kg).
- Do not allow the combined weight of the accessory and cargo to exceed the carrying capacity of the roof rack.
- A Honda roof rack or cross bars are required to install the luggage basket.

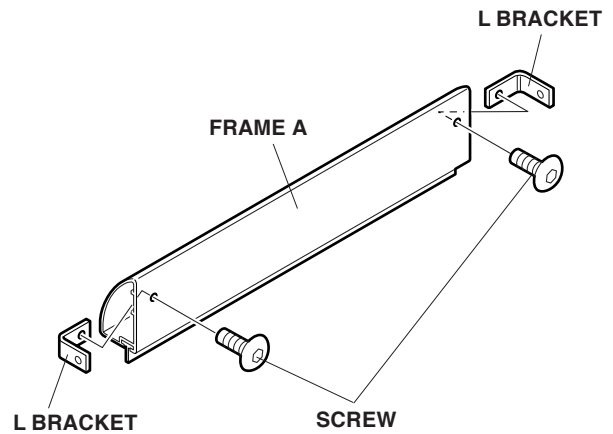
1. Insert the nine pipes into frame B. Press down on the button on the end of each pipe, and push the end into the hole in frame B. Repeat on the other side.



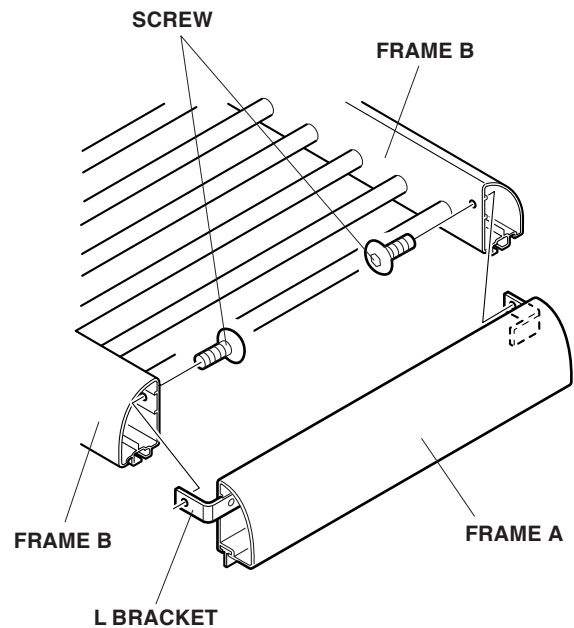
2. Slide one flap into the groove of one frame A. This will be the front of the basket.



3. Attach one L-bracket on each end of frame A, using one screw for each bracket.

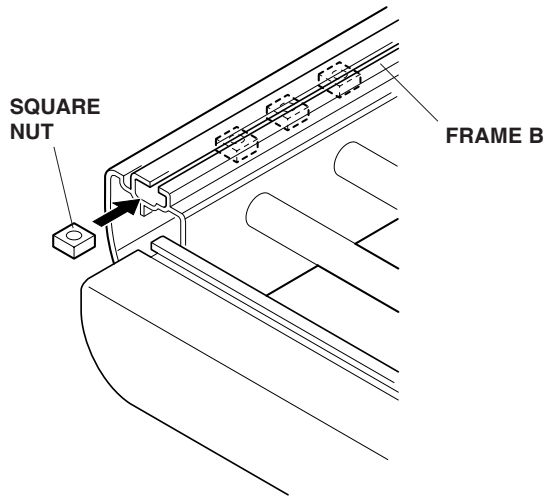


4. Install L-brackets on the other frame A.
5. Attach frame A to frame B by sliding the L-brackets into each frame B and installing one screw in each bracket.

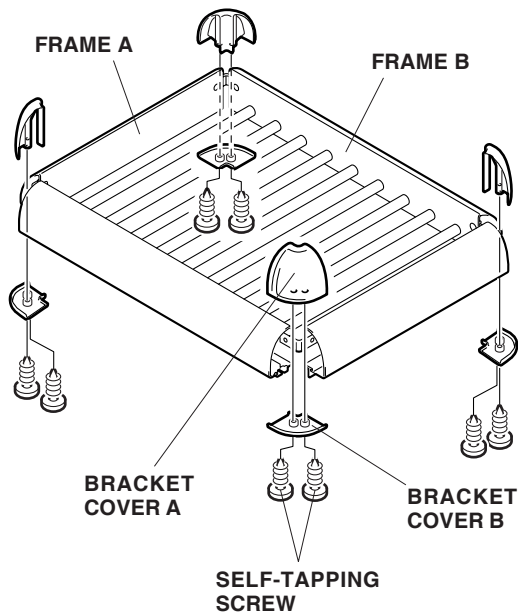


6. Attach the remaining frame A to frame B in the same way.

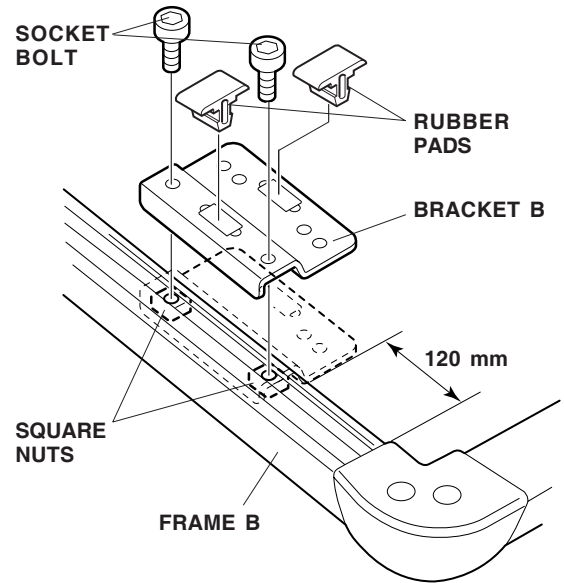
- Slide four square nuts into the groove in each frame B.



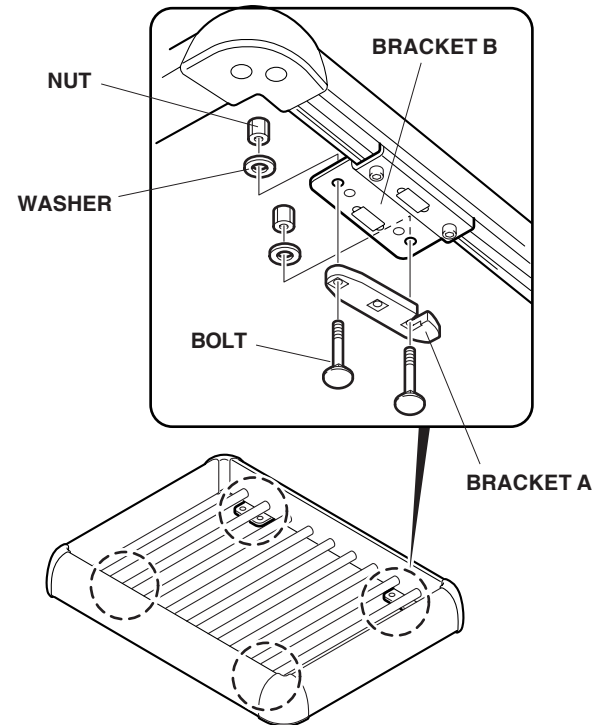
- Position four bracket covers A over the corners, then install four bracket covers B. Install self-tapping screws to secure the covers.



- Position two brackets B to each side of the basket at the measurement shown. Install two socket bolts into the two square nuts to mount each bracket B. Install the rubber pads into the brackets B as shown.



- Attach one bracket A to each bracket B. Use two bolts, two washers and two nuts for each bracket A. Face the cutout in each bracket A to the outside. Do not tighten the bolts yet.



11. Position the luggage basket on the roof rack, with the flap on frame A facing forward. Attach the basket to the cross bars by sliding bracket A around the crossbar and tightening the nuts. Tighten the nuts evenly.

