



INSTALLATION INSTRUCTIONS

Accessory

TABLE LEG KIT
P/N 08Z05-SCV-101

Application

2007 ELEMENT

Publications No.

All 33143

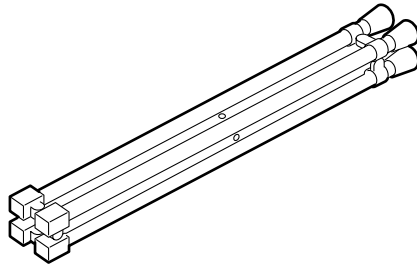
Issue Date

JULY 2006

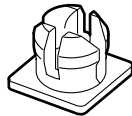
Put this information in the glove box with the vehicle owner's manual.

PARTS LIST

Table legs



4 Holders



4 Washer-screws



4 Nuts

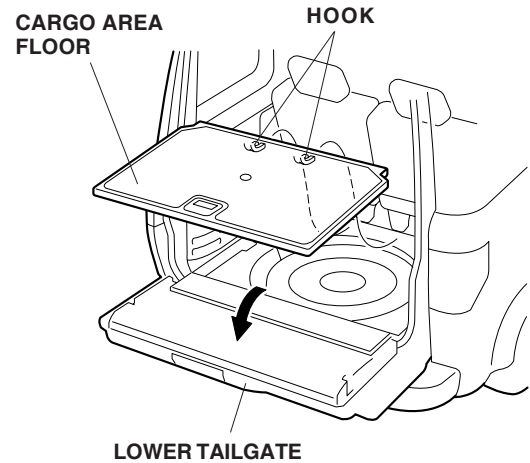


TOOLS REQUIRED

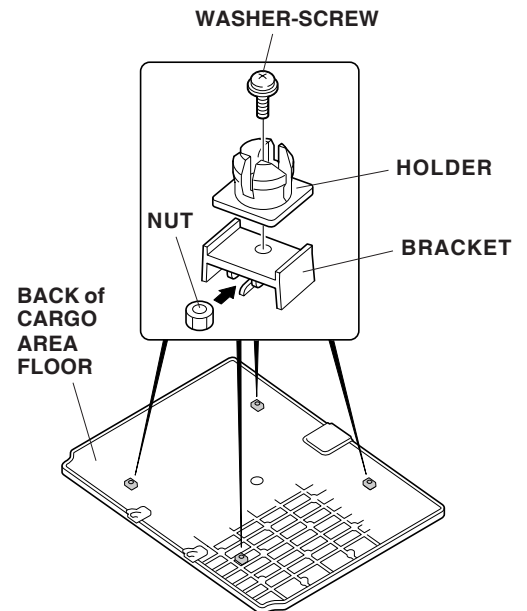
Phillips screwdriver

INSTALLATION

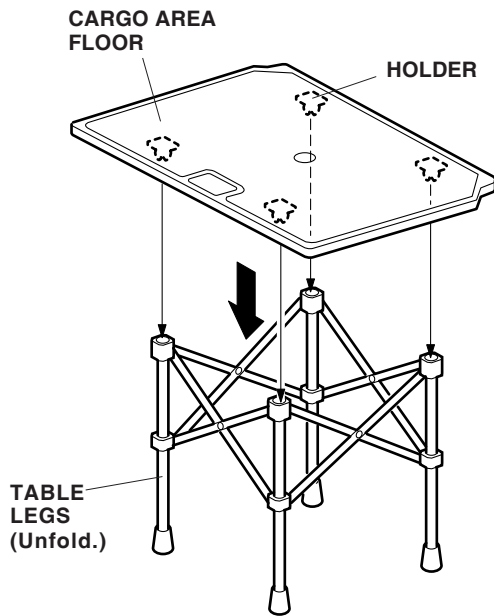
1. Open the upper and lower tailgates and take out the cargo area floor (two hooks).



2. Turn the cargo area floor over, and slide one nut into each of the four brackets as shown. Install the four holders onto the brackets, and secure each holder with a washer-screw.



3. Unfold the table legs, and place the cargo area floor holders into the square holes of the table legs.



4. Confirm that the table legs and the holders have been installed securely.

User's Information

- Be sure to the legs are firmly attached to the table.
- Do not stand on the table.
- Do not put over 10 kg (22 lbs) on the table.
- Do not place hot items such as pots, pans, or kettles directly on the table top.