



INSTALLATION INSTRUCTIONS

Accessory

SKYLIGHT SHADE
P/N 08R13-SCV-101A

Application

2007 ELEMENT

Publications No.

All 32578

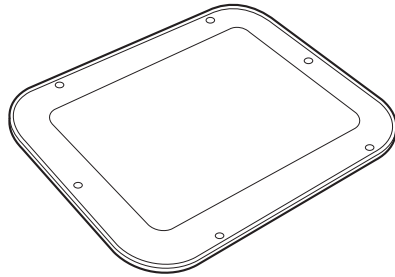
Issue Date

JULY 2006

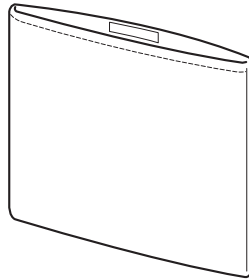
Put this information in the glove box with the vehicle owner's manual.

PARTS LIST

Skylight shade



Storage bag



6 Snap screws



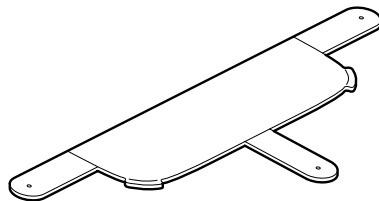
12 Washers



6 Flange nuts



Template



Accessory user's
information manual



TOOLS REQUIRED

Phillips screwdriver

8 mm Combination wrench

Awl

Push pin

Masking tape

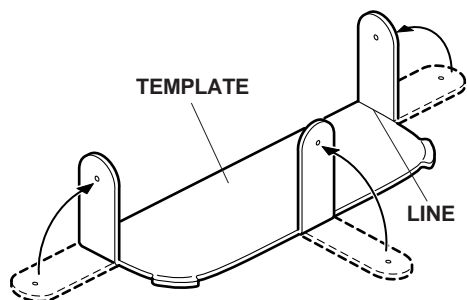
Tape measure

INSTALLATION

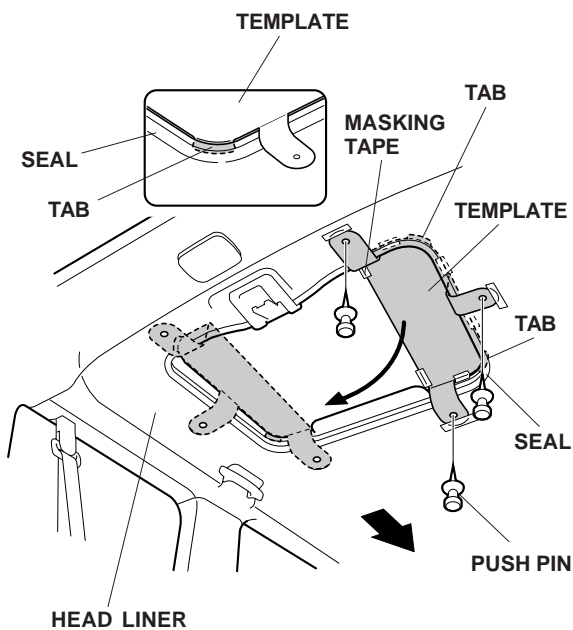
Customer Information: The information in this installation instruction is intended for use only by skilled technicians who have the proper tools, equipment, and training to correctly and safely add equipment to your vehicle. These procedures should not be attempted by "do-it-yourselfers."

NOTE: Be careful not to damage the body paint finish.

1. Fold the template along the line (3 places).

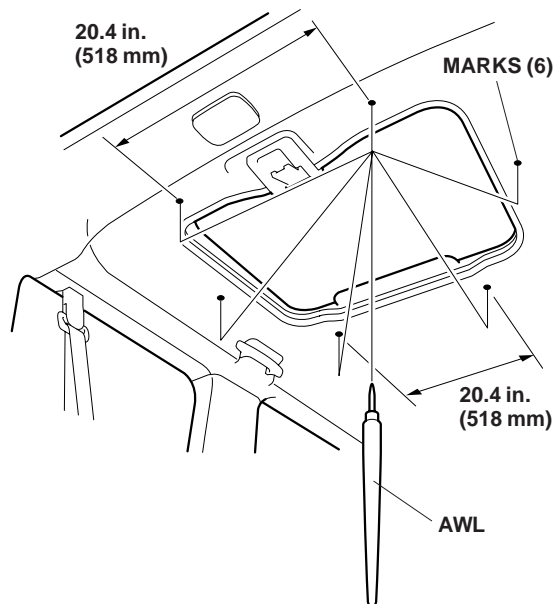


2. Fit the template on the right side of the roof glass along the seal line, insert two tabs into the gap between the roof glass and the seal, and secure the template with masking tape.

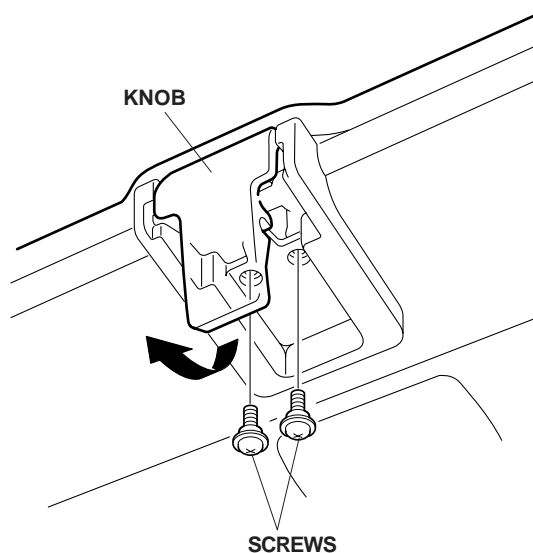


3. Using a push pin, mark the roof lining at the center of the three holes in the template. Remove the template.
4. Flip the template over and mark the left side of the roof lining the same way.

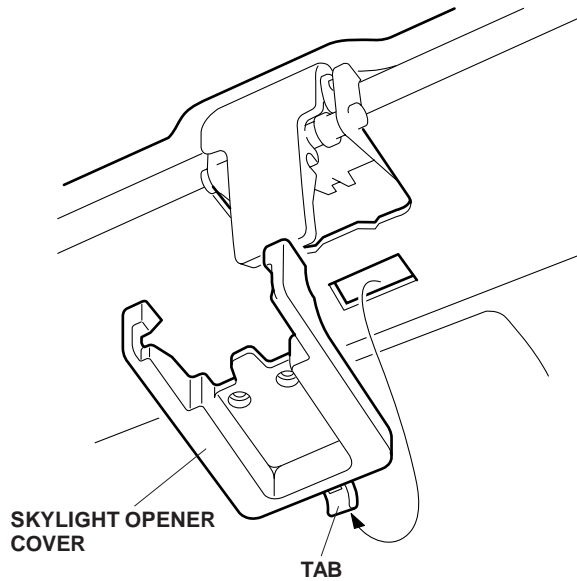
5. Using a tape measure, make sure the distance between the marks are 20.4 in. (518 mm).



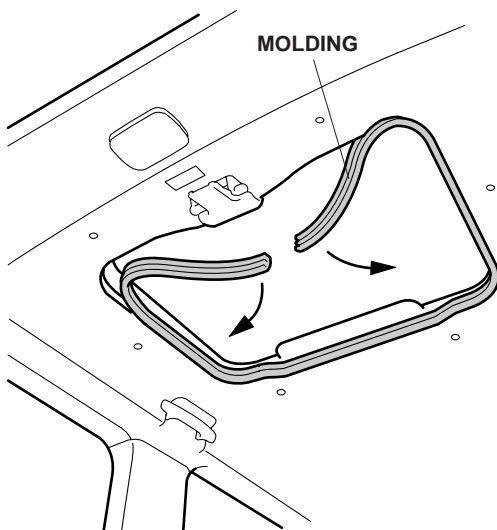
6. Use an awl to punch a hole through each of the six marks on the head liner.
7. Lower the skylight opener knob and remove the two screws.



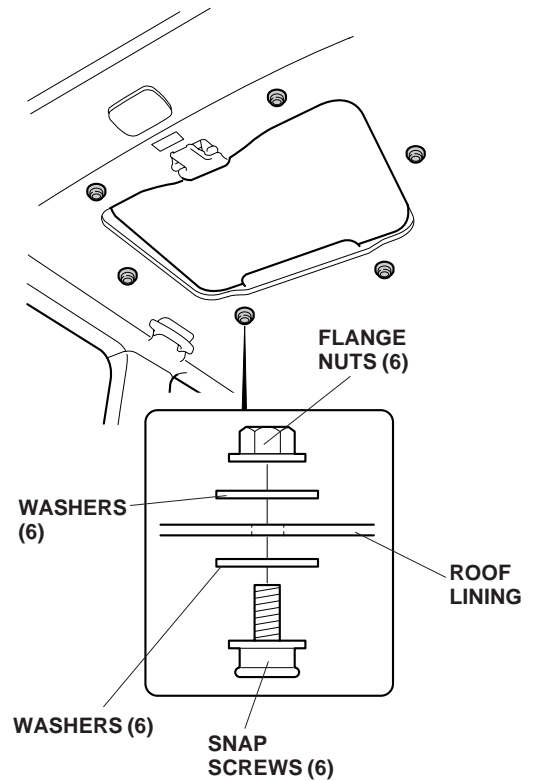
- Release the tab and remove the skylight opener cover.



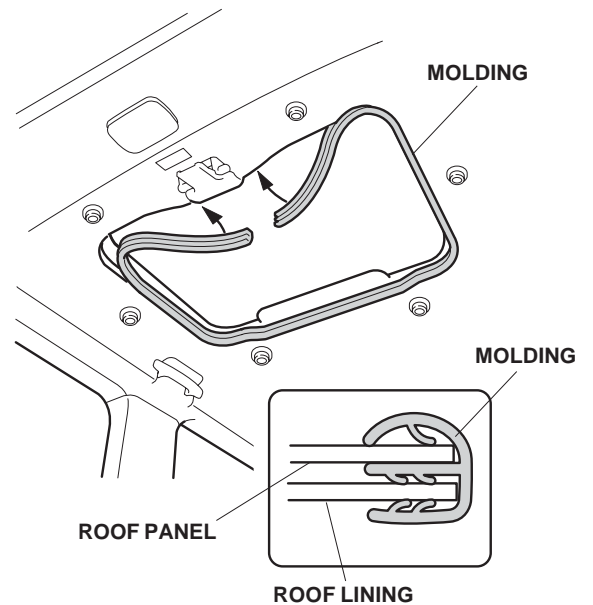
- Remove the molding from the edge of the roof opening.



- Gently pull down the roof lining and install one snap screw, two washers and one flange nut in each of the six holes you made.

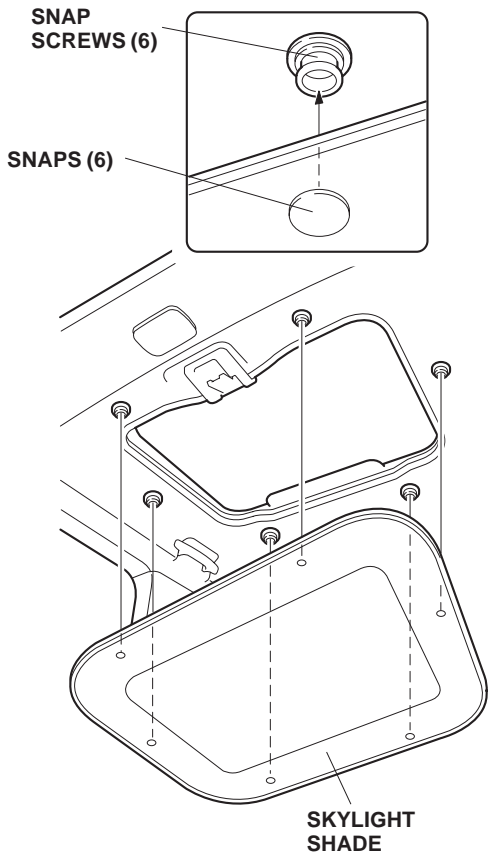


- Reinstall the molding placing it over the roof panel and roof lining.



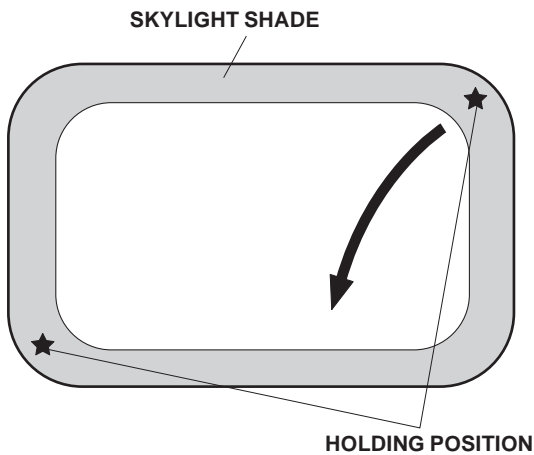
- Reinstall the skylight opener cover.

13. Install the skylight shade by connecting the snaps on the shade with the snap screws.

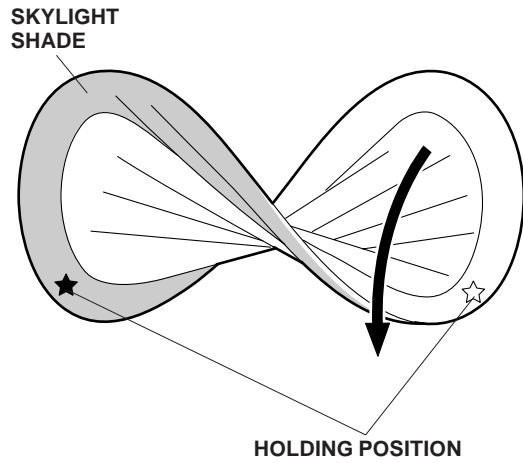


Storing the Skylight Shade

14. Hold the right top and the left bottom corner or the left top and the right bottom corner of the skylight shade and twist as shown.



15. Twist the skylight shade one more time to produce three circles.



16. Adjust the size of the three circles and store the shade in the storage bag.

- Confirm that the holding positions have come to the outer circle and the circle in the center.
- All three rear sides of the skylight shade will face in the same direction.

