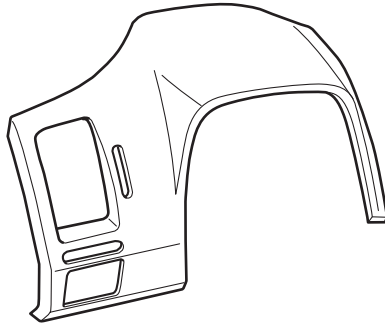
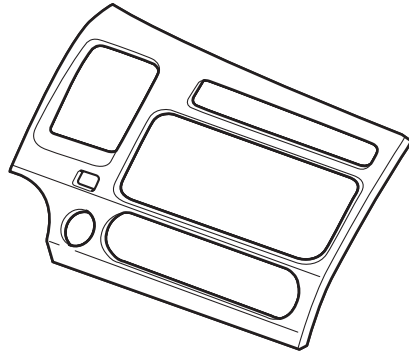


**PARTS LIST**

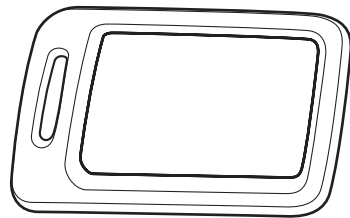
Meter panel



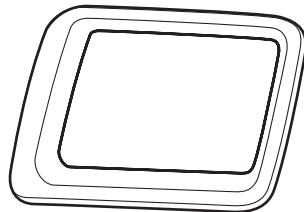
Center panel



Outlet panel "A"



Outlet panel "B"

**TOOLS REQUIRED**

Isopropyl alcohol

Shop towel

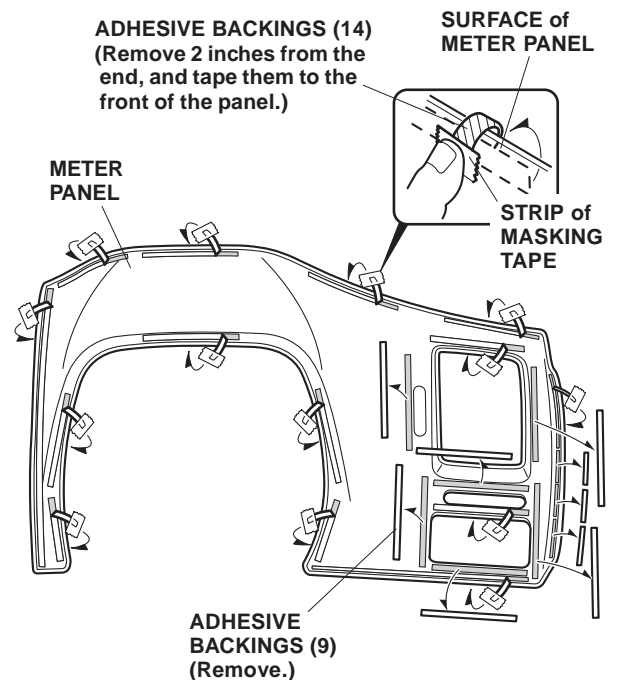
Masking tape

**INSTALLATION****NOTE:**

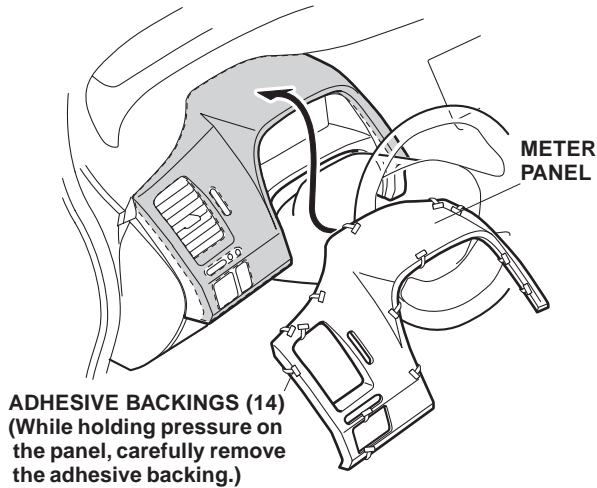
- Be extremely careful not to damage the interior panel.
- The panel kit should be installed only if the ambient air temperature is above 60°F (15°C).

**Installing the Meter Panel**

1. Using isopropyl alcohol on a shop towel, clean the area where the meter panel will attach.
2. Attach a strip of masking tape to the end of each shaded adhesive backing. Peel back 2 in. (5-6 cm) of the adhesive backings, and fold them over as shown. Temporarily attach the strips of masking tape to the outside of the meter panel. Remove all remaining adhesive backings from the meter panel.

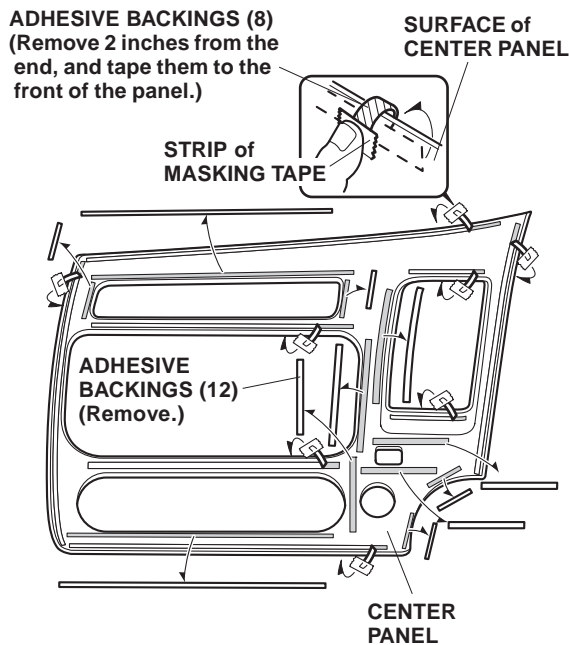


- Position the meter panel on the existing meter panel. While holding pressure on the meter panel, carefully remove the adhesive backings from the meter panel. Press the meter panel firmly against the existing meter panel with the palm of your hand, particularly at the edges.



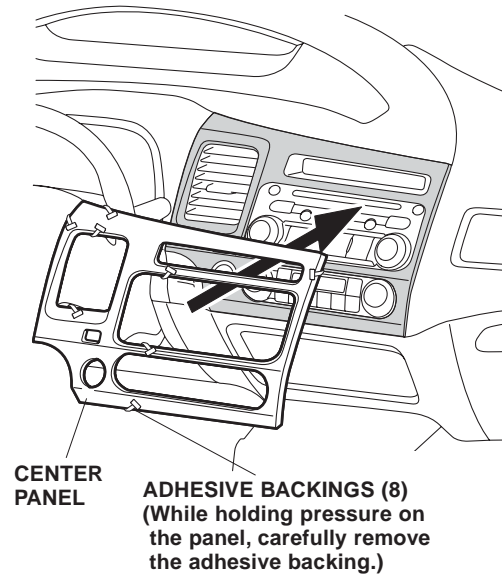
### Installing the Center Panel

- Using isopropyl alcohol on a shop towel, clean the area where the center panel will attach.



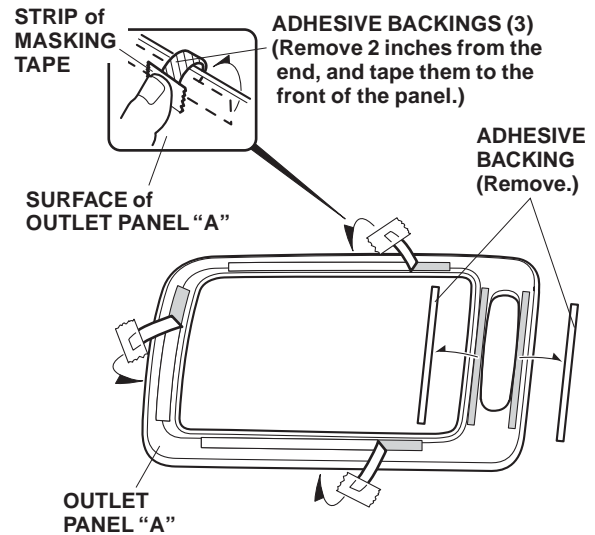
- Attach a strip of masking tape to the end of each shaded adhesive backing. Peel back 2 in. (5-6 cm) of the adhesive backings, and fold them over as shown. Temporarily attach the strips of masking tape to the outside of the center panel. Remove all remaining adhesive backings from the center panel.

- Position the center panel on the existing center panel. While holding pressure on the center panel, carefully remove the adhesive backings from the center panel. Press the center panel firmly against the existing center panel with the palm of your hand, particularly at the edges.



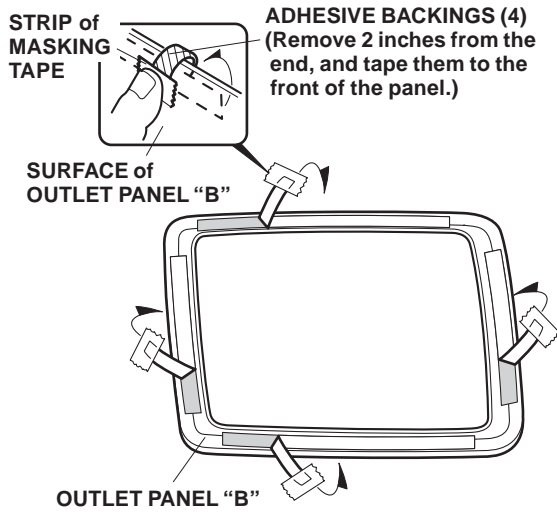
### Installing the Outlet Panels

- Using isopropyl alcohol on a shop towel, clean the areas where the outlet panel will attach.



- Attach the strip of masking tape to the end of each shaded adhesive backing. Peel back 2 in. (5-6 cm) of the adhesive backings, and fold them over as shown. Temporarily attach the strips of masking tape to the outside of the outlet panel "A". Remove all remaining adhesive backings from the outlet panel "A".

9. Attach a strip of masking tape to the end of each shaded adhesive backing. Peel back 2 in. (5-6 cm) of the adhesive backings, and fold them over as shown. Temporarily attach the strips of masking tape to the outside of the outlet panel "B".



10. Position the outlet panels "A" and "B" on the existing outlet panels. While holding pressure on the outlet panels, carefully remove the adhesive backings from the outlet panels. Press the outlet panels "A" and "B" firmly against the existing outlet panels with the palm of your hand, particularly at the edges.

