



INSTALLATION INSTRUCTIONS

Accessory

CIGARETTE LIGHTER
P/N 08U96-S9A-101

Application

2007 CIVIC
HYBRID

Publications No.

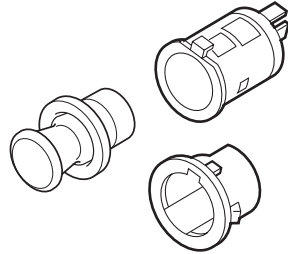
All 33825

Issue Date

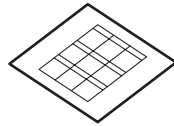
SEP 2006

PARTS LIST

Cigarette lighter



Fuse label



TOOLS AND SUPPLIES REQUIRED

Shop towels

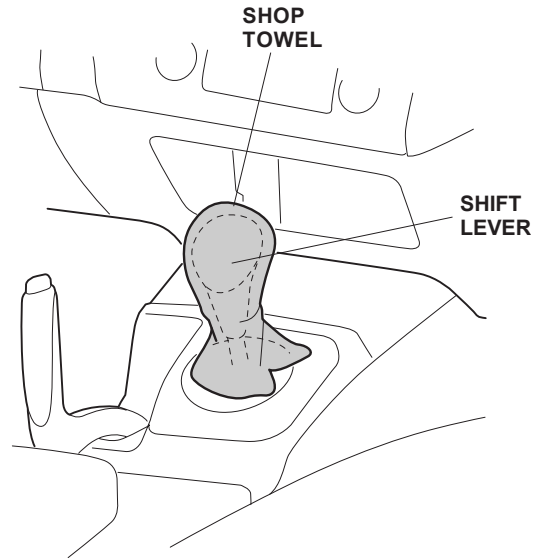
Small flat-tip screwdriver

INSTALLATION

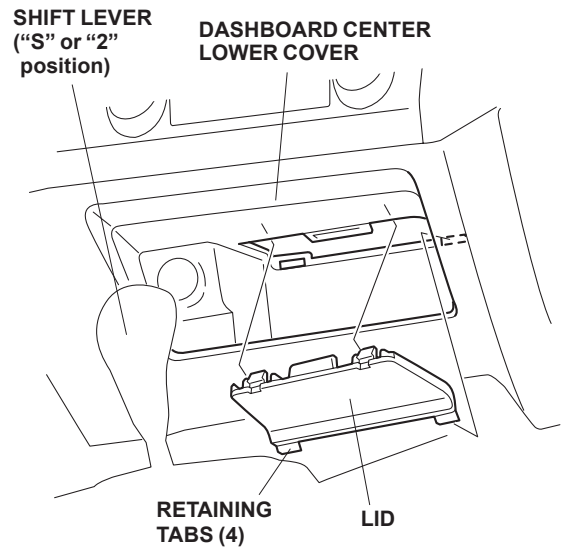
Customer Information: The information in this installation instruction is intended for use only by skilled technicians who have the proper tools, equipment, and training to correctly and safely add equipment to your vehicle. These procedures should not be attempted by "do-it-yourselfers."

1. Make sure you have the anti-theft code for the radio, then write down the radio station presets.
2. Disconnect the negative cable from the battery.

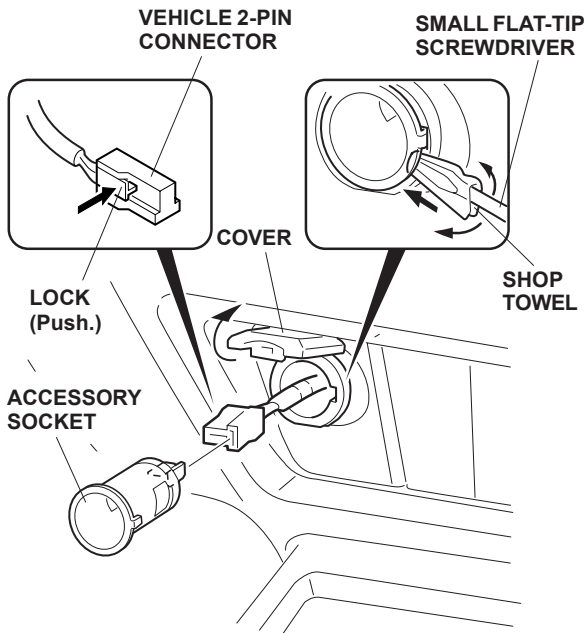
3. Cover the shift lever with a shop towel to protect it from damage.



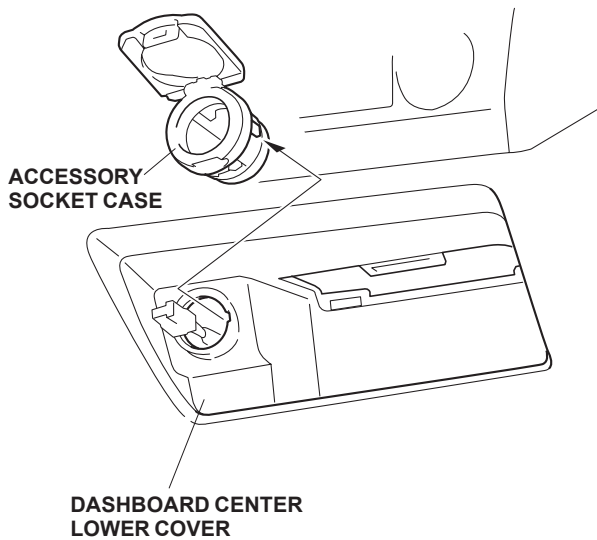
4. Shift to "S" or "2." Remove the lid from the dashboard center lower cover (four retaining tabs).



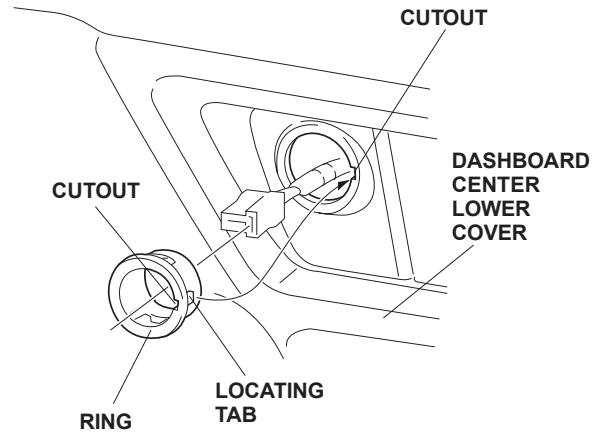
- Open the accessory socket cover. Using a shop towel around a small flat-tip screwdriver, gently pry on the accessory socket to pop it out. Disconnect the vehicle 2-pin connector from the accessory socket.



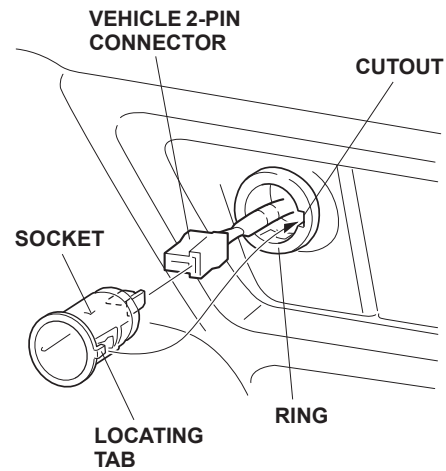
- Pull out the accessory socket case from the dashboard center lower cover.



- Slide the ring into the hole in the dashboard center lower cover in the direction shown.

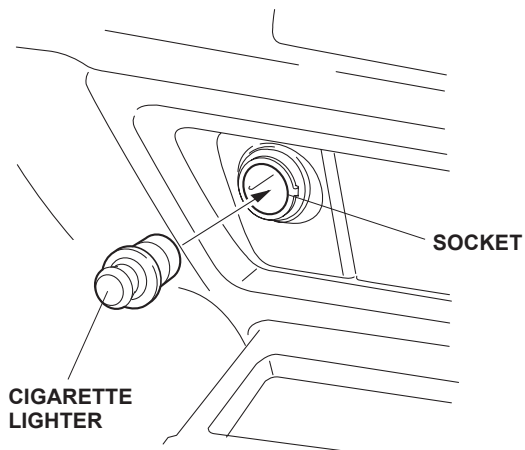


- Connect the vehicle 2-pin connector to the socket.

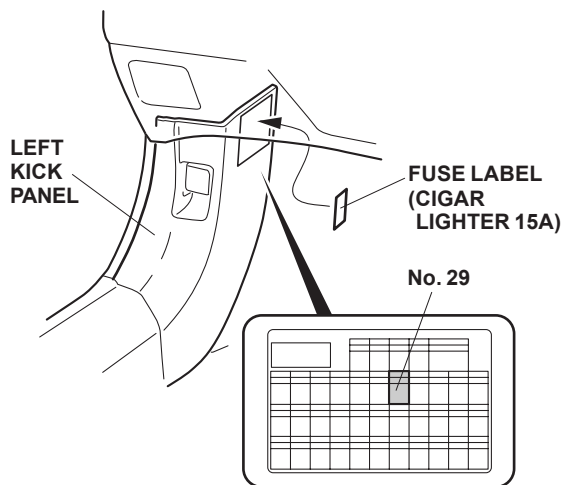


- Align the locating tab on the socket with the cutout in the ring, and slide the socket into the ring.

10. Push the cigarette lighter into the socket.



11. Attach the 15A fuse label to the No. 29 slot to the left kick panel.



12. Reinstall the lid in the dashboard center lower cover.
13. Reconnect the negative cable to the battery.
14. Enter the customer's radio anti-theft code, and reset the radio station presets.
15. Reset the clock.
16. If the IMA battery level gauge (BAT) displays zero segments, start the engine and hold it between 3,500 and 4,000 rpm (in Park or neutral) until the IMA level gauge (BAT) displays at least three segments.
17. Because the battery was disconnected, you need to enter the Honda multi-matic feedback signal as described in the service manual.
18. Test the cigarette lighter.

NOTE: When the battery is disconnected, the driver's window AUTO function is disabled.

19. Start the engine. Push down on the driver's window switch until the window is fully open.
20. Pull up on the driver's window switch to close the window completely, then hold the switch for 2 seconds or more.
21. Lower and raise the driver's window to check the operation of the driver's window AUTO function.