



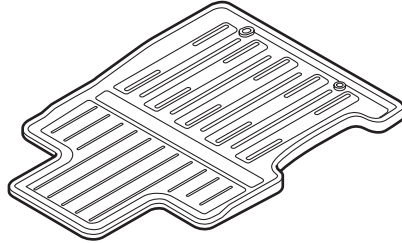
# INSTALLATION INSTRUCTIONS

Accessory	Application	Publications No.
ALL SEASON MATS	2007 CIVIC HYBRID	All 33821
		Issue Date
SEP 2006		

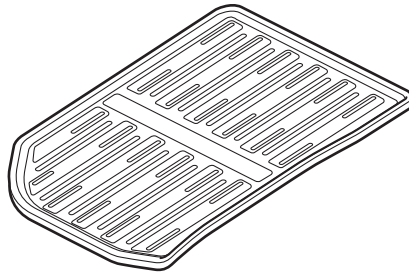
Put this information in the glove box with the vehicle owner's manual.

## PARTS LIST

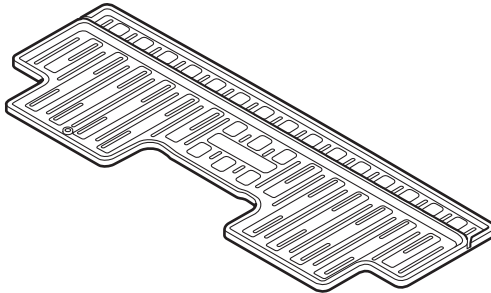
Rubber mat  
(driver's side)



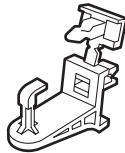
Rubber mat  
(passenger's side)



Rubber mat  
(rear)



2 Rubber mat anchors



## TOOLS REQUIRED

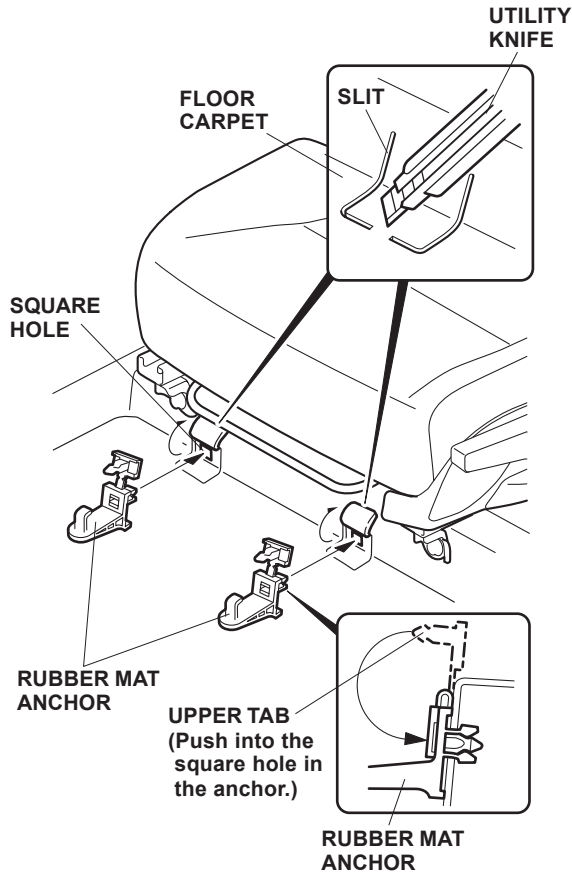
Utility knife

## INSTALLATION

### NOTE:

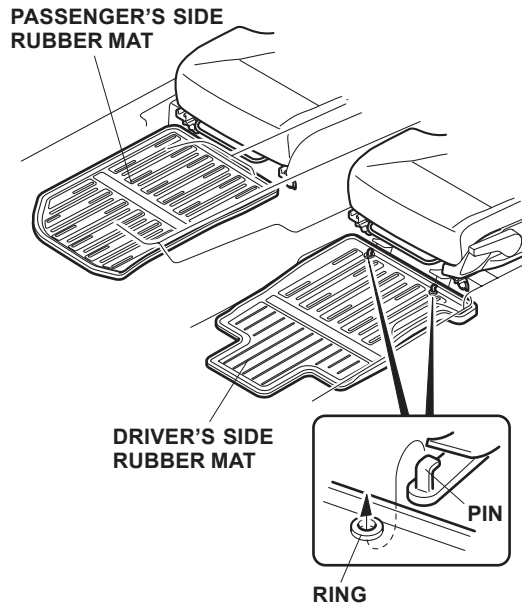
- Rubber mat anchors are required for the driver's side of the vehicle; these anchors prevent the front rubber mat from sliding forward and possibly interfering with the pedals.
- If you remove the front rubber mat, make sure you reanchor it when you put it back in your vehicle.
- If you replace the rubber mat, use factory rubber mats designed to be used with the rubber mat anchors.
- If you use a non-factory rubber mat in the driver's foot well, make sure it fits properly and that it can be used with the rubber mat anchors.
- Do not put additional mats on top of the anchored mat. Additional mats may slide forward and possibly interfere with the pedals.
- Identify each rubber mat by the marks on the back of each mat: the rubber mats marked "R" or "Passenger's side" go on the right side of the vehicle; the rubber mats marked "L" or "Driver's side" go on the left side.

1. Slide the driver's seat all the way back.
2. Under the front of the driver's seat cushion, extend the slits in the floor carpet with a utility knife (two places).



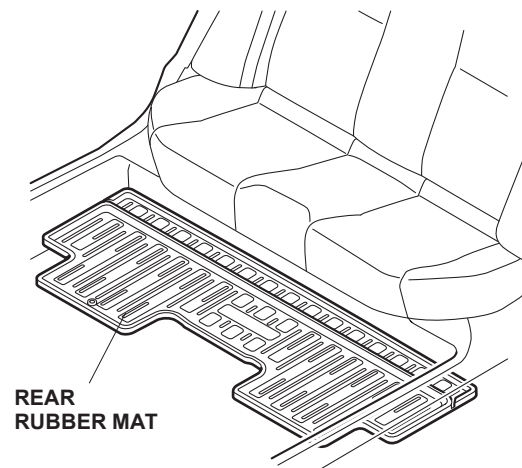
3. Pull back the carpet flap, and push the lower tab of the anchor into the square hole. Pull the upper tab down, and push it into the square hole in the anchor as shown. Repeat on the remaining anchor.

4. Install the driver's side rubber mat by placing the rings in the rubber mat over the anchor pins.



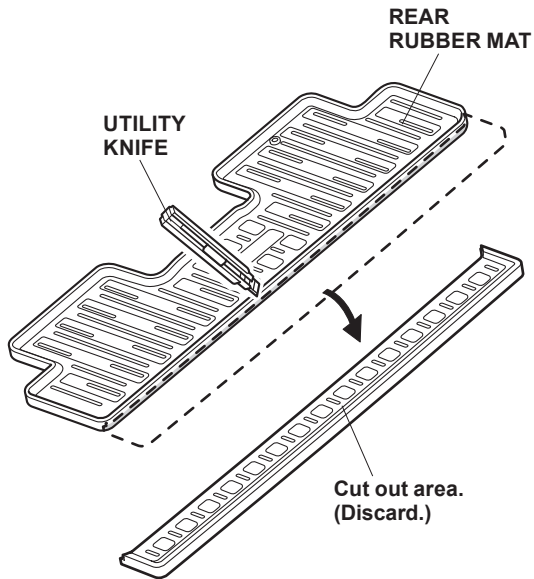
5. Install the passenger's side rubber mat.
6. Install the rear rubber mat:

#### 4-Door



## 2-Door

- Using a utility knife, cut the rear rubber mat along the cut line.



- Install the rear rubber mat by placing the ring in the rubber mat over the anchor pin.

