



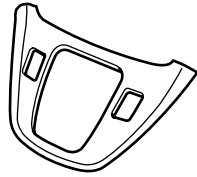
# INSTALLATION INSTRUCTIONS

Accessory	Application	Publications No.
INTERIOR PANEL SET P/N08Z03-SWA-100	2007 CR-V (EXL-EXL NAVI)	All 33688
		Issue Date SEP 2006

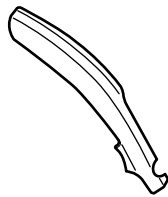
Accessory	Application	Publications No.
INTERIOR PANEL SET P/N08Z03-SWA-100	2007 CR-V (EXL-EXL NAVI)	All 33688
		Issue Date SEP 2006

Accessory	Application	Publications No.
INTERIOR PANEL SET P/N08Z03-SWA-100	2007 CR-V (EXL-EXL NAVI)	All 33688
		Issue Date SEP 2006

**Interior Panel Kit B**  
**(Vehicle with Seat Heater Switches)**  
 Shifter panel



Center panel (Left)



Center panel (Right)



Outlet panel (Left)



Outlet panel (Right)

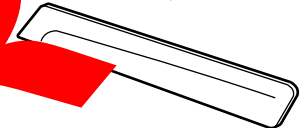


Front door side panel (Left)

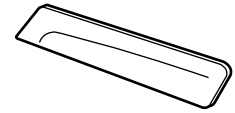
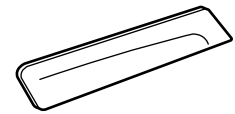
Front door side panel (Right)



Rear door side panel (Left)



Rear door side panel (Right)



### TOOLS AND SUPPLIES REQUIRED

- Masking tape
- Shop towel
- Isopropyl alcohol

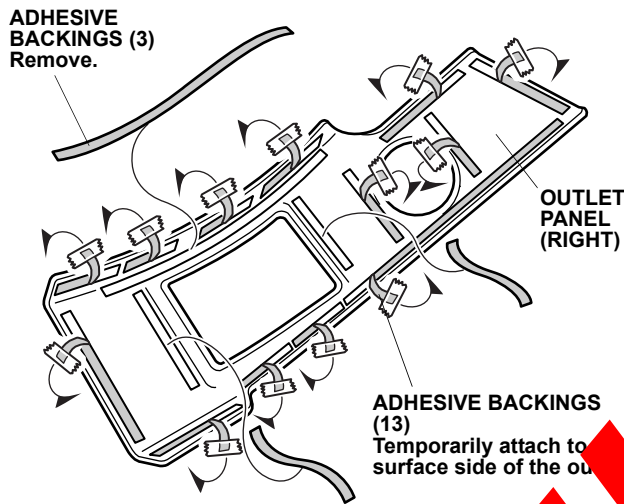
### BEFORE YOU BEGIN

#### NOTE

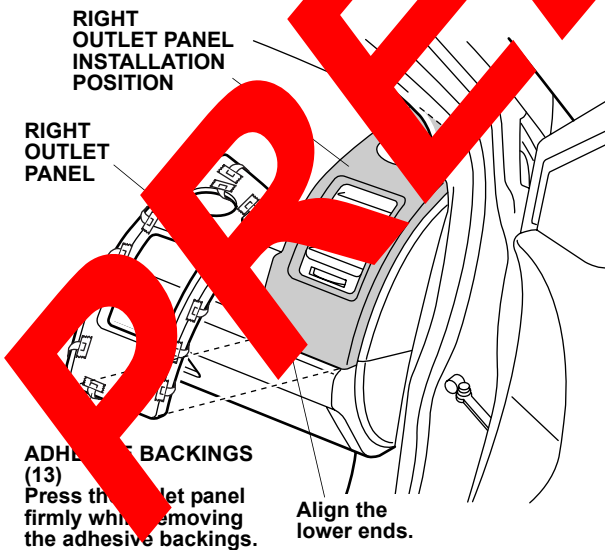
- Be careful not to damage the body paint finish.
- This interior trim kit should be installed only if the outside air temperature is 60°F (15°C) or above.

## INSTALLATION

1. Using isopropyl alcohol on a shop towel, thoroughly clean the areas where the interior trims will attach.
2. Attach a strip of masking tape to the end of each adhesive backings on the inner side of the right outlet panel (right). Peel back the adhesive backings partway and temporarily attach them to the surface side of the right outlet panel as shown.
3. Remove and discard the three remaining adhesive backings as shown.

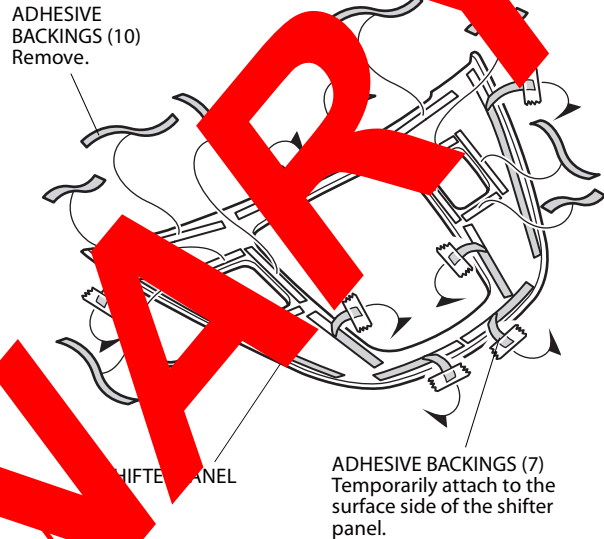


4. Position the right outlet panel in position; align the lower end with the lower end of the right side of the existing outlet panel. Press the right outlet panel firmly while removing the adhesive backings that you temporarily attached to the surface side of the outlet panel. Remove the upper adhesive backings first, then the lower ones. Press the right outlet panel firmly to attach, especially at the ends of the panel.

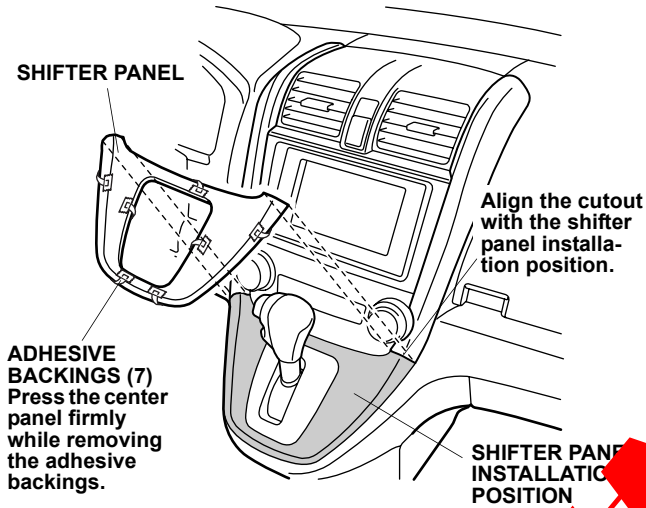


5. Repeat steps 2 through 4 to install the left outlet panel.

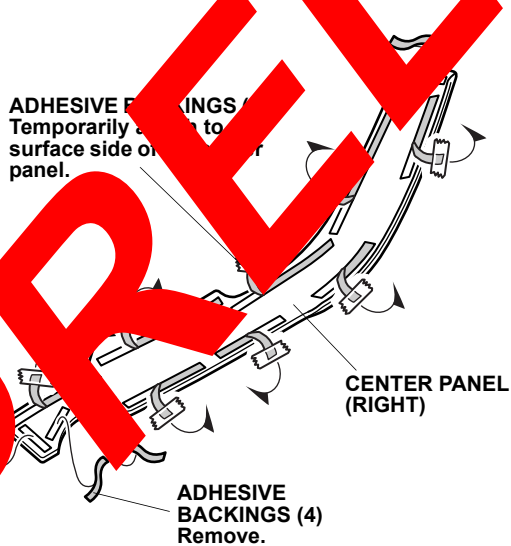
6. Attach a strip of masking tape to the end of each adhesive backings on the inner side of the shifter panel. Peel back the adhesive backings partway and temporarily attach them to the surface side of the shifter panel as shown.
7. Remove the two remaining adhesive backings as shown.



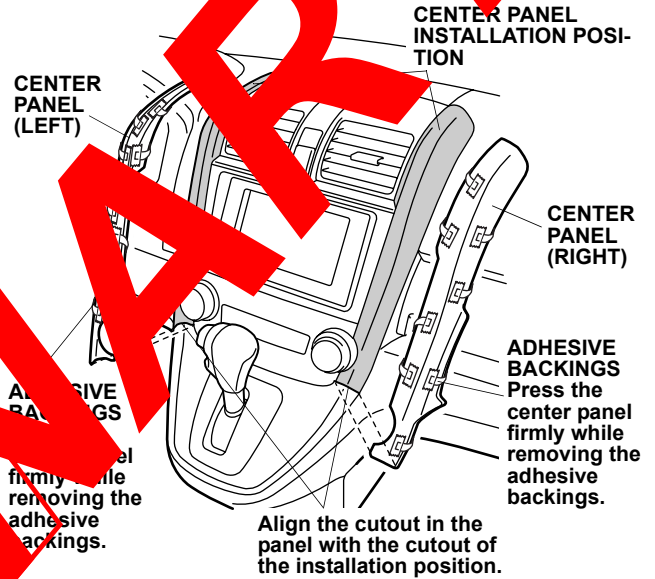
- Position the shifter panel in position; align the cutout with cutout on the existing shifter panel. Press the shifter panel firmly while removing the adhesive backings that you temporarily attached to the surface side of the shifter panel. Remove the upper adhesive backings first, then the lower adhesive backings. Press the center panel firmly to attach, especially at the ends of the panel.



- Attach a strip of masking tape to the end of the right and left adhesive backings on the inner side of the center panel. Peel back the adhesive backings partway and temporarily attach them to the surface side of the right and left center panel.
- Remove and discard the four remaining adhesive backings as shown.

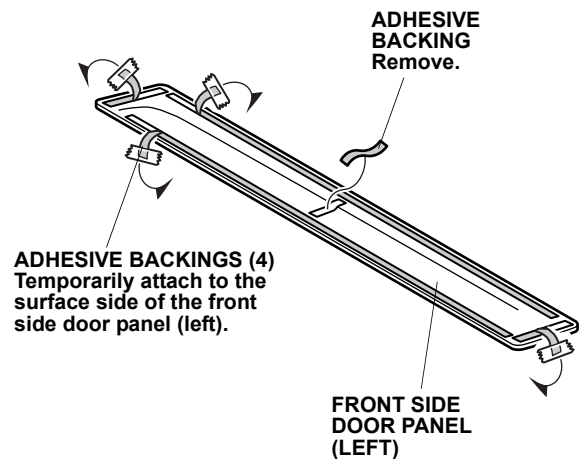


- Position the right center panel and left center panel in their respective positions; align the cutout with the cutout of the existing center panels. Press the center panels firmly while removing the adhesive backings that you temporarily attached to the surface side of the center panel. Remove the lower adhesive backings first, then the upper adhesive backings. Press the right and left center panels (right and left) firmly to attach, especially at the ends of the panels.

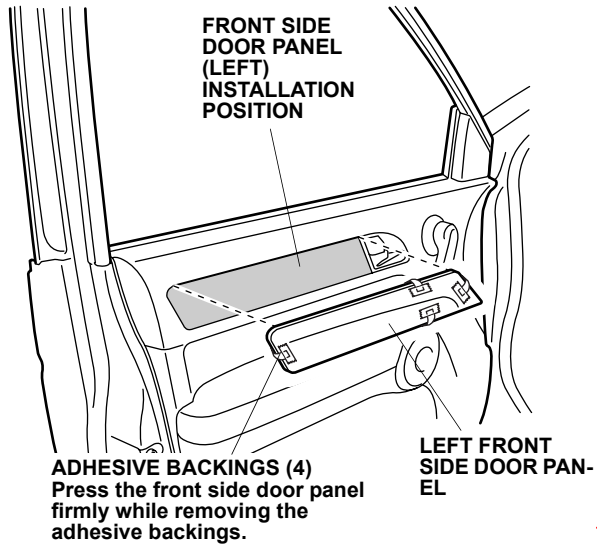


### Door Side Panel

- Attach a strip of masking tape to the end of each adhesive backing on the inner side of the front left side door panel. Peel back the adhesive backings partway and temporarily attach them to the surface side of the left front side door panel.
- Remove and discard the remaining adhesive backing as shown.



14. Position the left front side door panel in position on the existing left front side door panel and press it firmly while removing the adhesive backings that you temporarily attached to the surface side. Press the front side door panel (left) firmly to attach, especially at the ends of the panel.



15. Repeat steps 12 through 14 on the right side.