



# INSTALLATION INSTRUCTIONS

Accessory

**INTERIOR TRIM KIT  
(DASHBOARD)**

Application

**2007 ACCORD  
2 AND 4-DOOR**

Publications No.

**All 32641**

Issue Date

**JULY 2006**

## PARTS LIST

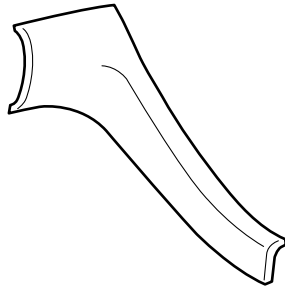
### Dashboard Trim Kit:

P/N 08Z03-SDA-131 (Wood look)

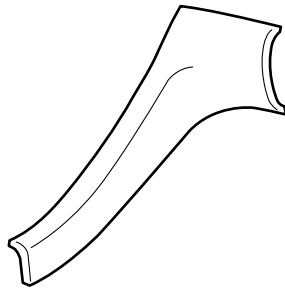
P/N 08Z03-SDA-121 (Burlwood look)

P/N 08Z13-SDA-111 (Metal look)

Left front console trim



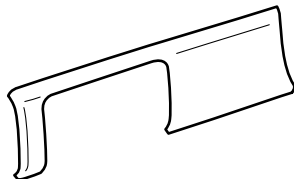
Right front console trim



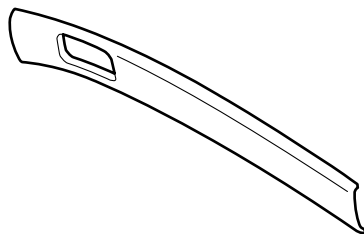
Inside lower cover trim



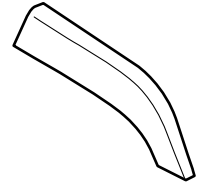
Outside lower cover trim



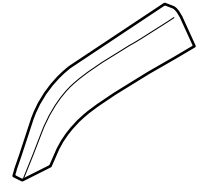
Glove box trim



Left center console trim



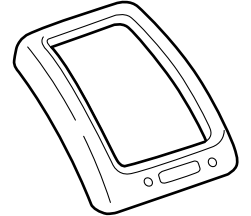
Right center console trim



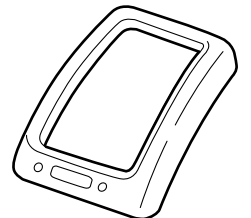
Center trim



Left outlet trim



Right outlet trim



## SUPPLIES REQUIRED

Isopropyl alcohol

Shop towel

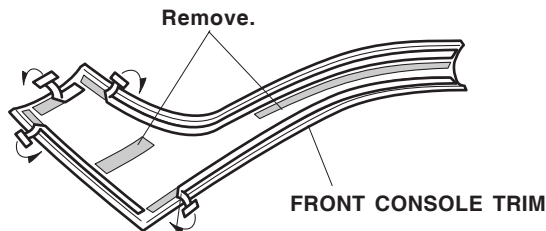
Masking tape

## INSTALLATION

NOTE: This interior trim kit should be installed only if the outside air temperature is 60°F (15°C) or above.

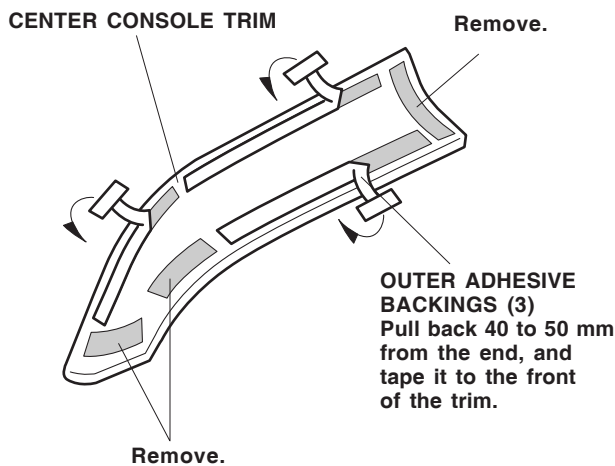
1. Using isopropyl alcohol on a shop towel, clean the areas where the interior trim pieces will attach.
2. Remove and discard the inner adhesive backings and the small pieces of outer adhesive backings. Attach a strip of masking tape to the end of each remaining outer adhesive backing, and pull back 40 to 50 mm of the adhesive backing. Fold the ends back, and tape them to the front of the trim.

### Right and Left Front Console Trims:



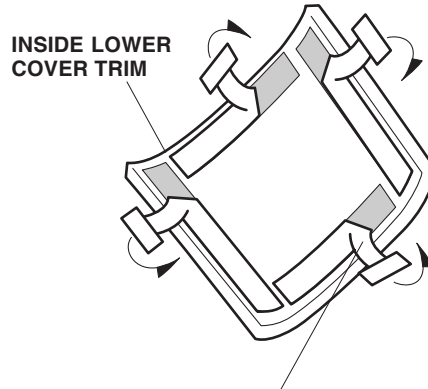
**OUTER ADHESIVE BACKINGS (4)**  
Remove 40 to 50 mm from the end, and tape it to the front of the trim.

### Right and Left Center Console Trims:



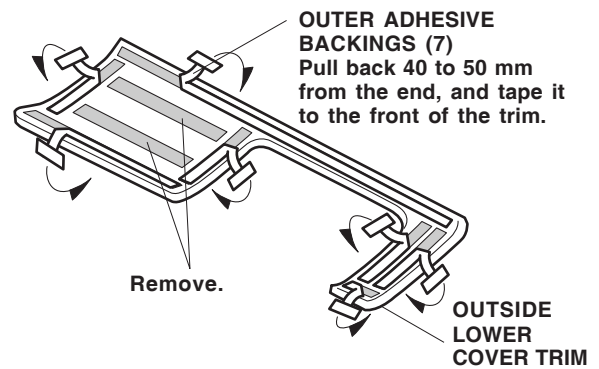
**OUTER ADHESIVE BACKINGS (3)**  
Pull back 40 to 50 mm from the end, and tape it to the front of the trim.

### Inside Lower Cover Trim:



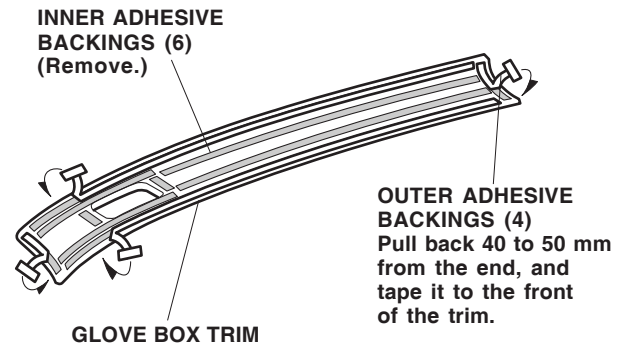
**OUTER ADHESIVE BACKINGS (4)**  
Pull back 40 to 50 mm from the end, and tape it to the front of the trim.

### Outside Lower Cover Trim:



**OUTER ADHESIVE BACKINGS (7)**  
Pull back 40 to 50 mm from the end, and tape it to the front of the trim.

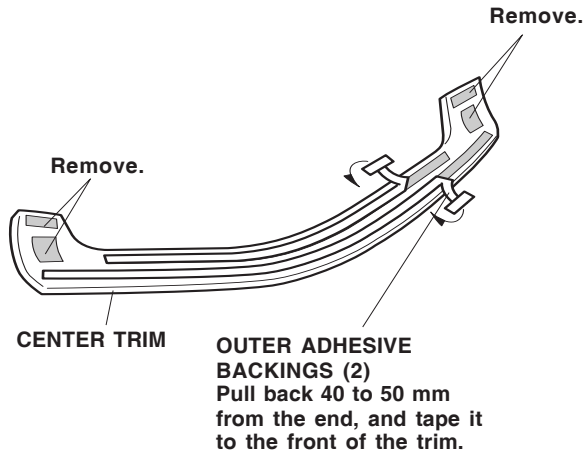
### Glove Box Trim:



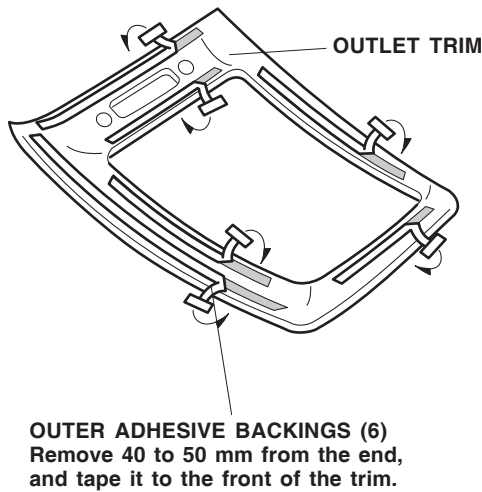
**INNER ADHESIVE BACKINGS (6)**  
(Remove.)

**OUTER ADHESIVE BACKINGS (4)**  
Pull back 40 to 50 mm from the end, and tape it to the front of the trim.

**Center Trim:**



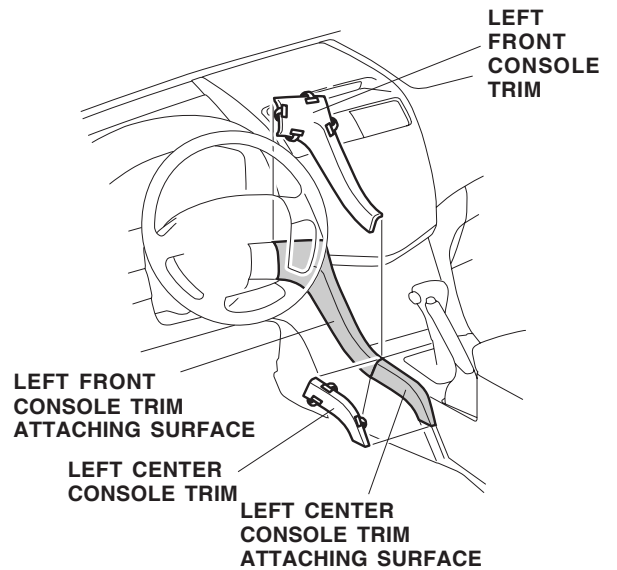
**Right and Left Outlet Trims:**



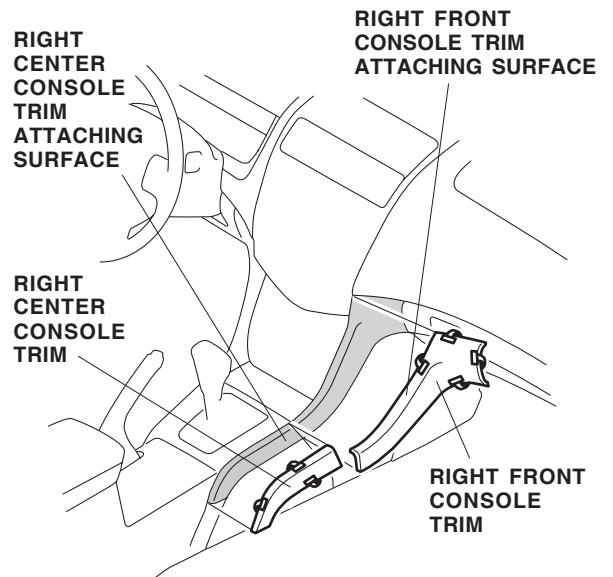
3. Position the trim pieces on the existing panels. While applying light pressure on the trim pieces, carefully remove the adhesive backings.

4. After installing the trim pieces, use the palm of your hand to hold pressure against them for 30 seconds.

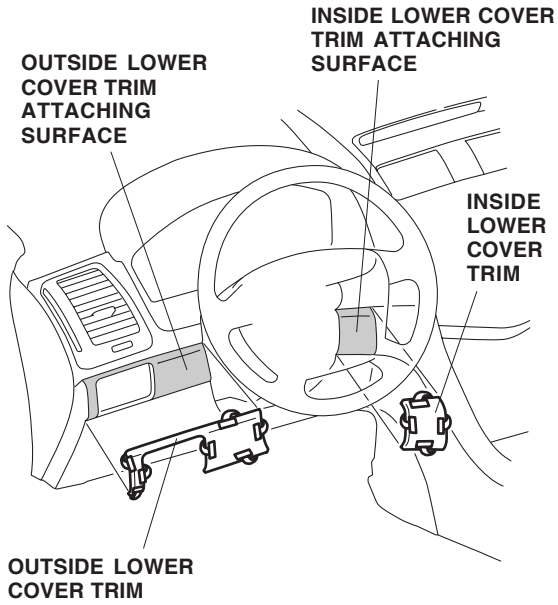
**Left Front Console Trim/Left Center Console Trim:**



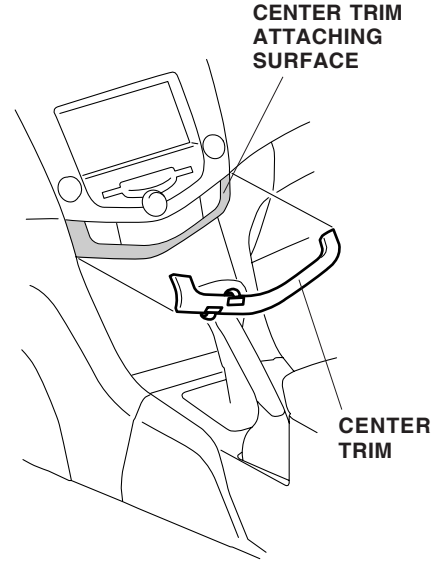
**Right Front Console Trim/Right Center Console Trim:**



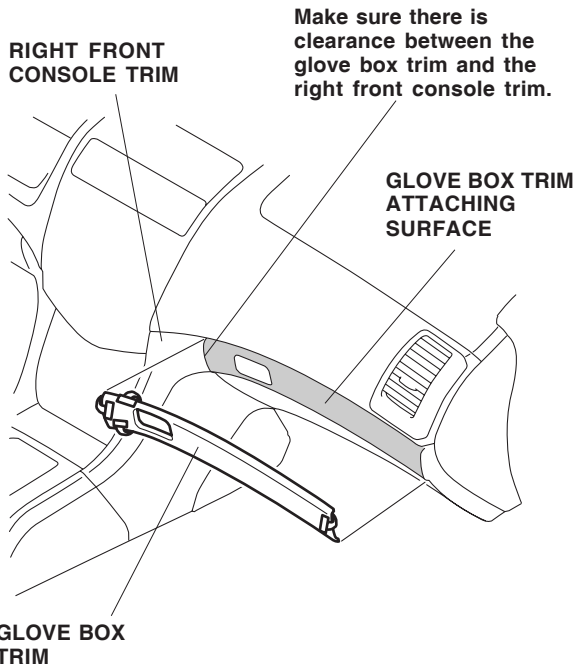
**Inside and Outside Lower Cover Trims:**



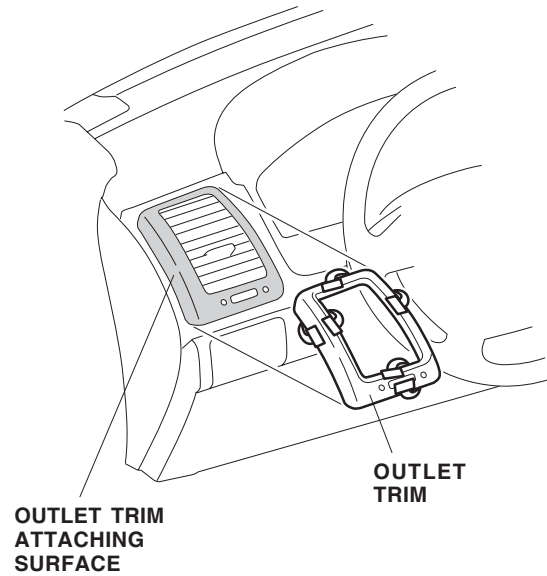
**Center Trim:**



**Glove Box Trim:**



**Right and Left Outlet Trims:**



**USE AND CARE**

Use a sponge or soft cloth dampened with a solution of liquid dishwashing soap and water. After cleaning, wipe with a clean, soft cloth. Do not use cleaners or polishes containing abrasive compounds to clean the interior trim pieces because they may damage the surface.