

**INSTALLATION
INSTRUCTIONS**

Accessory

SPLASH GUARDS
P/N 08P00-SDA-101A

Application

2007 ACCORD
4-DOOR

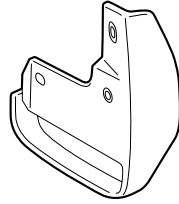
Publications No.

All 32633

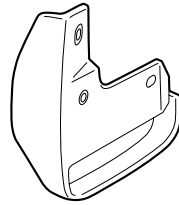
Issue Date

JULY 2006**PARTS LIST**

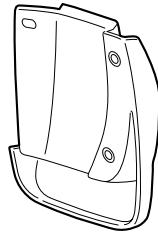
Left front splash guard



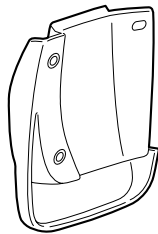
Right front splash guard



Left rear splash guard



Right rear splash guard



2 Spring nuts



2 Self-tapping screws (short)



2 Self-tapping screws (long)

**TOOL REQUIRED**

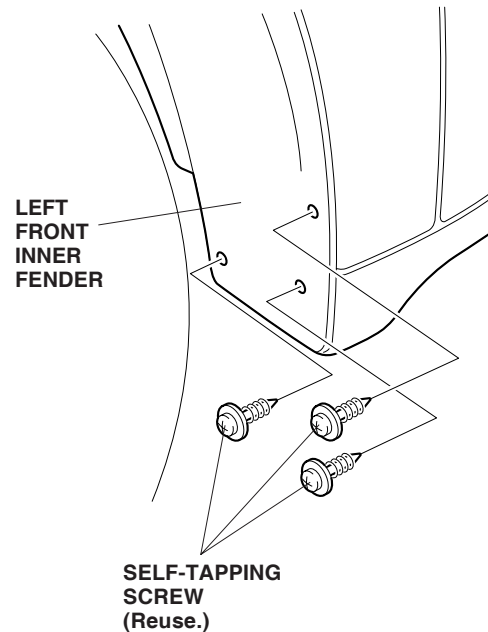
Stubby Phillips screwdriver

INSTALLATION**NOTE:**

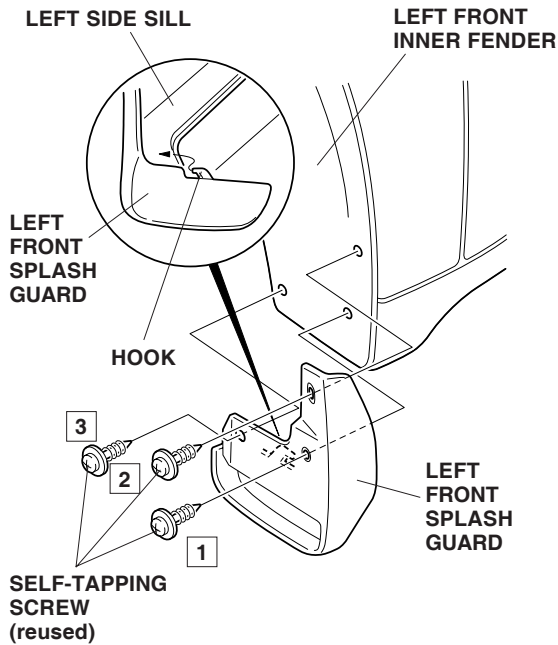
- These instructions show the left splash guard being installed. The same procedure applies to installing the right splash guard.
- Make sure the area to be covered is clean.

Installing the Front Splash Guards

1. Turn the steering wheel all the way counterclockwise.
2. Remove and retain the three self-tapping screws that fasten the left front inner fender to the front fender and fenderwell.



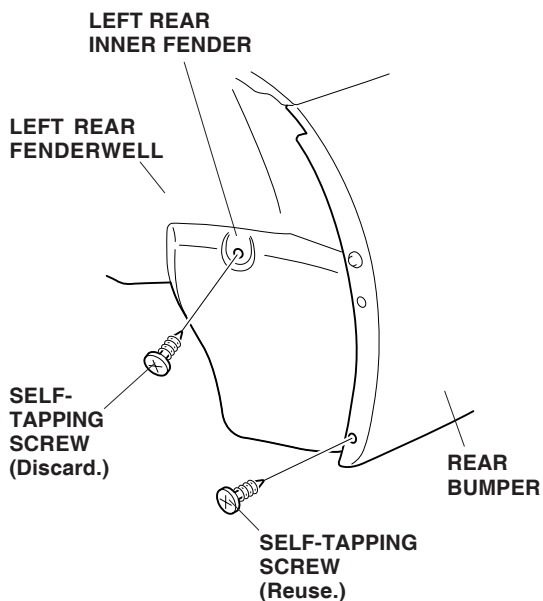
- Position the left front splash guard on the left front inner fender. Attach the hook on the splash guard to the edge of the left side sill. Install the three self-tapping screws you removed. Tighten the three self-tapping screws in the order shown.



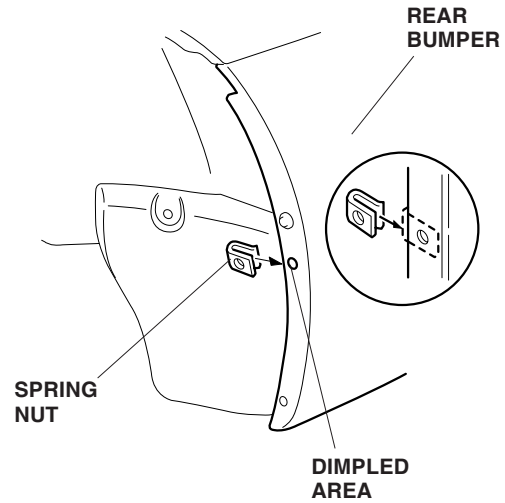
- Turn the steering wheel all the way clockwise, and repeat steps 2 and 3 install the right front splash guard.

Installing the Rear Splash Guards

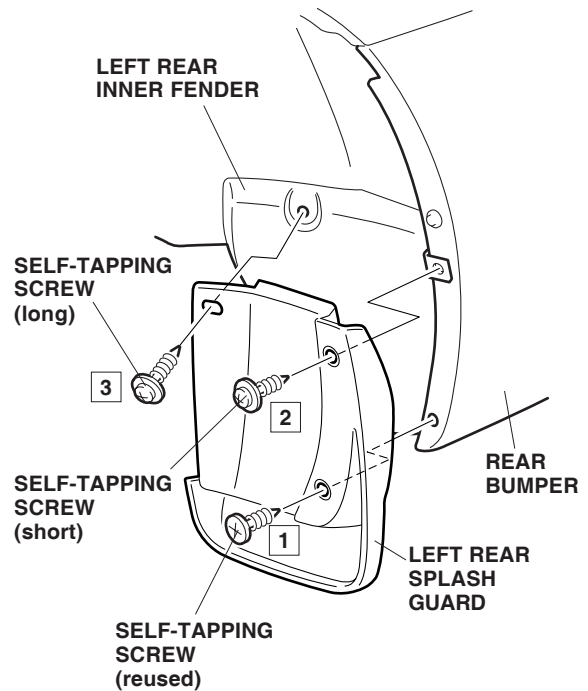
- Remove and retain the two self-tapping screws that secure the left rear inner fender to the rear bumper and fenderwell.



- Slide one spring nut over the dimpled area of the rear bumper.



- Position the left rear splash guard on the rear bumper and left rear inner fender, and install one self-tapping screw (short), one self-tapping screw (long) and one self-tapping screw removed in step 5. Tighten the three self-tapping screws in the order shown.



- Repeat steps 5 thru 7 to install the right rear splash guard.