



INSTALLATION INSTRUCTIONS

Accessory
ROOF RACK
 P/N 08L02-SDA-101W

Application
2007 ACCORD
HYBRID

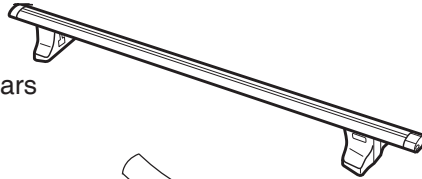
Publications No.
All 32768

Issue Date
JULY 2006

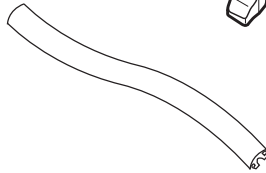
Put this information in the glove box with the vehicle owner's manual.

PARTS LIST

2 Roof rack crossbars



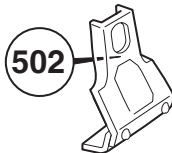
2 Rubber strips



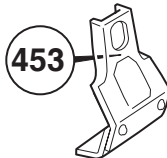
Position labels



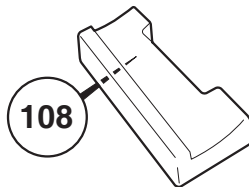
2 Front brackets (marked 502)



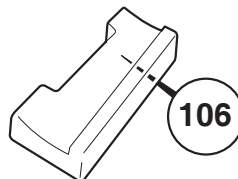
2 Rear brackets (marked 453)



2 Rubber pads (marked 108)



2 Rubber pads (marked 106)



2 Keys



TOOLS AND SUPPLIES REQUIRED

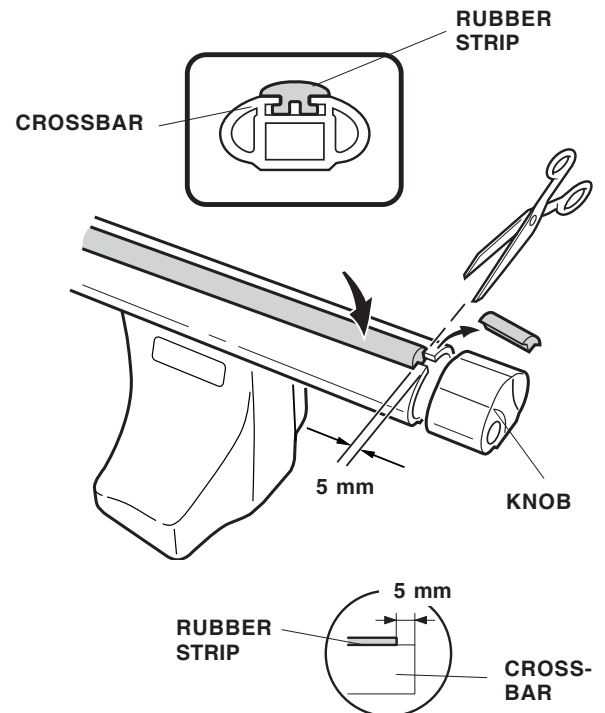
- Scissors
- Isopropyl alcohol
- Shop towel

INSTALLATION

NOTE:

- The weight of cargo must not exceed the maximum weight capacity of the roof, which is 88 lb (40 kg).
- Because of weight limits, you should check the weight of the bicycles before attempting to carry two bicycles on the roof rack.
- Be careful not to damage the roof and other finished surfaces of the body when installing the roof rack.

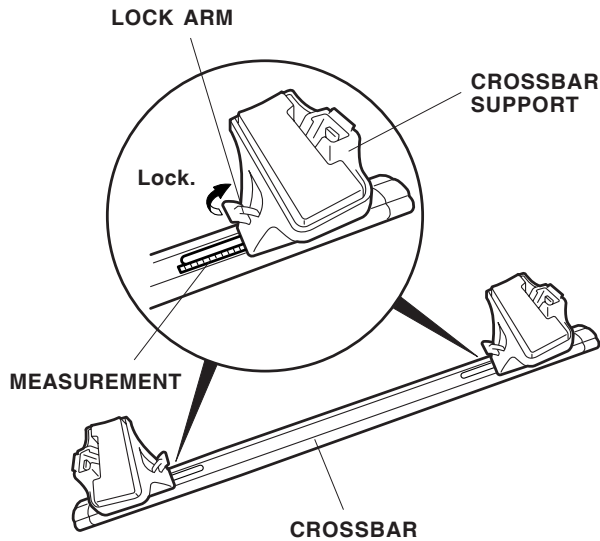
1. On both ends of the crossbar, pull out on the knob to expose the end.



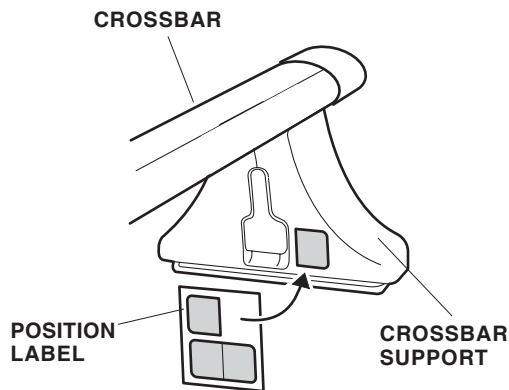
2. Insert a rubber strip into the groove of the crossbar. Using scissors, cut off the excess rubber strip 5 mm away from the ends of the cross-bar.
3. Repeat steps 1 and 2 for the other crossbar.

- Adjust the distance between the two supports. Using the measurements on the crossbars, open the lock arm, and slide the supports in, or out, until the correct measurement is obtained. Close the lock arms to secure the crossbar supports.

Measurement	Driver's Side	Passenger's Side
Front	33 mm	32.5 mm
Rear	32.5 mm	32 mm



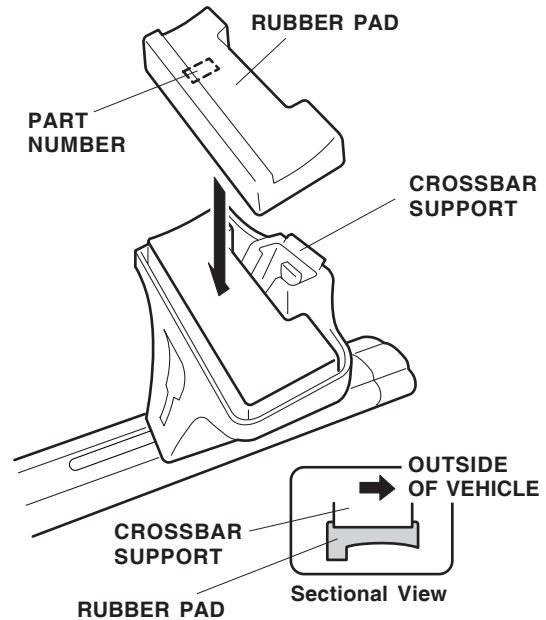
- Using isopropyl alcohol on a shop towel, clean the edge of the crossbar support where the position label will attach.



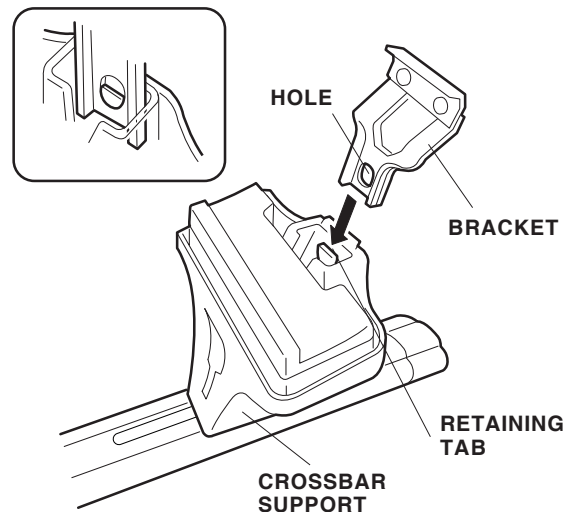
- Using the measurement chart in step 4, identify each crossbar support location and attach the corresponding position label to the crossbar supports.

- Install the rubber pads onto the bottom of the crossbar supports. Each rubber pad has its own location. Use the chart below to install the rubber pads in the correct location. Make sure the pads fit properly on the supports.

Part	Driver's Side	Passenger's Side
Front	106 mm	108 mm
Rear	108 mm	106 mm

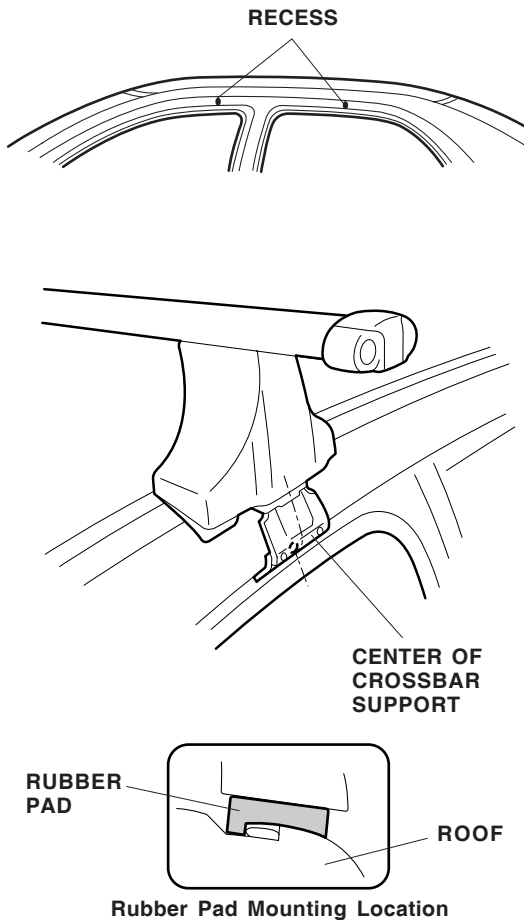


- Slide the front brackets (marked 502) into the front crossbar supports by aligning the holes in the brackets with the retaining tabs of the crossbar support. The bracket will click into position.
- Slide the rear brackets (marked 453) into the rear crossbar supports.

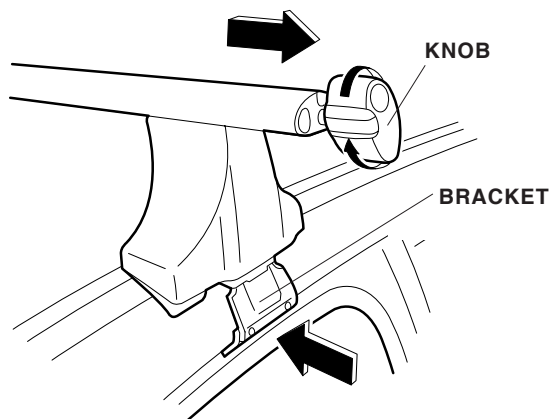


Installing the Roof Rack on the Vehicle

10. Position the roof rack on the roof. On both sides of the car, align the center of the crossbar supports with the recess on the roof edge. Make sure the rubber pads match the contour of the roof.

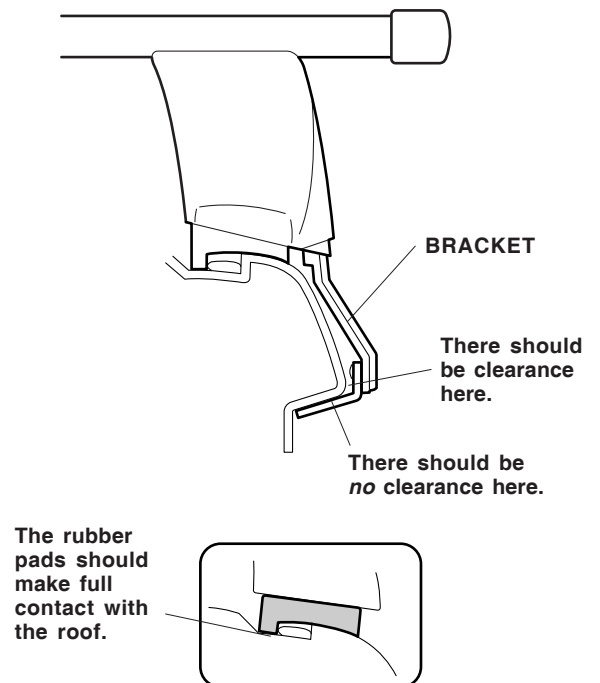


11. While holding the bracket firmly against the roof, turn the right knob and left knob clockwise while alternating sides several times until the rack is secure. Make sure the brackets stay in place on the roof edges as you tighten the knobs.

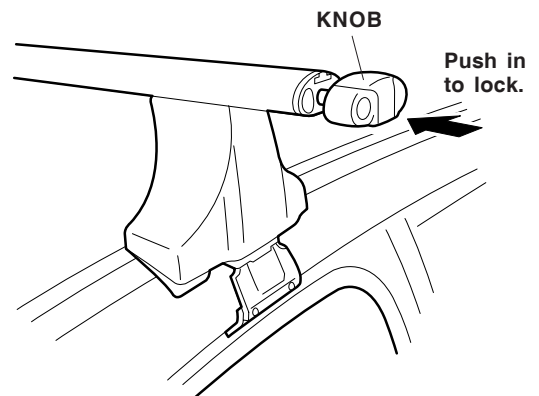


12. After tightening the knobs, recheck the roof rack:

- There should be clearance between each bracket and the outer edge of the roof.
- There should be **no** clearance between the lower end of each bracket and the bottom edge of the roof.
- The rubber pads should make full contact with the roof.
- Rock the roof rack forward and backward to verify that it is installed securely on the roof.



13. Lock the end knobs by pushing in on the knobs until they “click” into position.



14. Use the keys supplied to lock and unlock the knobs, as needed. Put the keys in the glove box for your customer.