



INSTALLATION INSTRUCTIONS

Accessory

CASSETTE/MP3/
PLAYER ATTACHMENT
(WITHOUT NAVI)

Application

2007 ACCORD
HYBRID

Publications No.

All 32754

Issue Date

JULY 2006

PARTS LIST

Attachment Kit (sold separately):
P/N 08B06-SDA-100

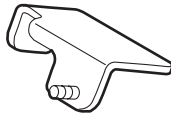
Left player bracket



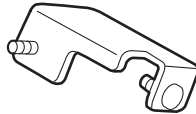
Right player bracket



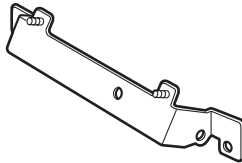
Left player subbracket



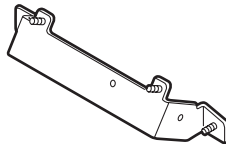
Right player subbracket



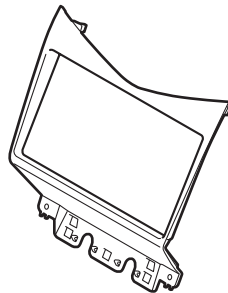
Player base-bracket
(With YAW sensor)



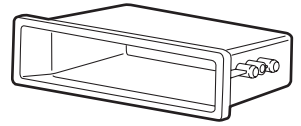
Player base-bracket
(Without YAW sensor)



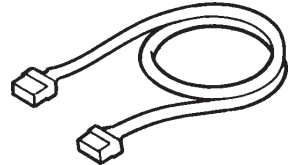
Player panel



Pocket



BUS cable



2 Latches



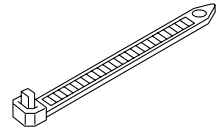
8 Flange nuts, 6 mm



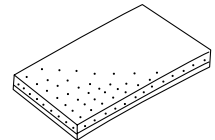
2 Grommet screws



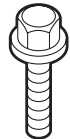
6 Wire ties



7 EPT sealers



2 Washer-bolts, 6 x 16mm

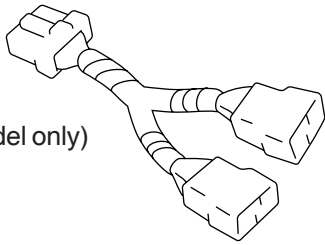


2 Self-tapping screws, 4 x 12 mm



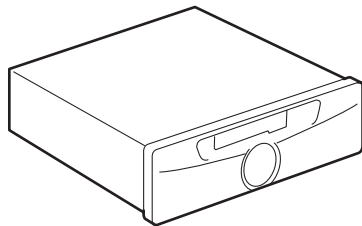
Bus Cable 2 Port (sold separately):
P/N 08A31-0F1-000

BUS cable 2 Port
(for XM-radio-equipped model only)

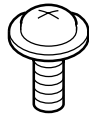


Cassette Player (sold separately):
P/N 08A03-5E1-001

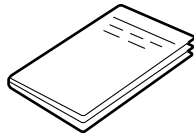
Cassette player



4 Washer-screws, 5 x 8 mm

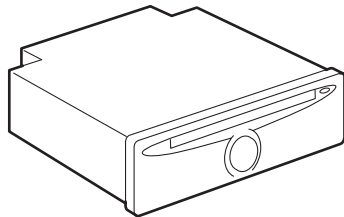


Accessory user's information
manual



MP3 Audio Player (sold separately):
P/N 08A06-4E1-201

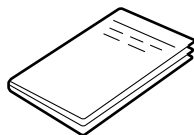
Multimedia player



4 Washer-screws, 5 x 8 mm



Accessory user's information
manual



TOOLS AND SUPPLIES REQUIRED

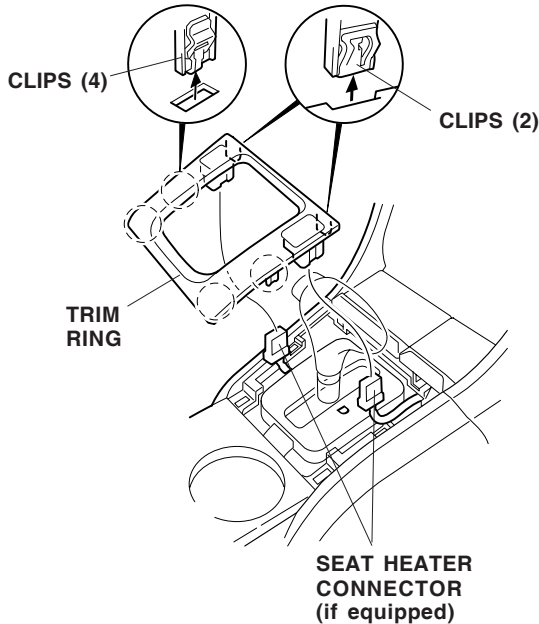
- Phillips screwdriver
- Flat-tip screwdriver
- 10 mm Combination wrench
- Ratchet
- 10 mm Socket
- File
- Utility knife
- Scissors
- Shop towel
- Hook tool
- Masking tape
- Tape measure
- Isopropyl alcohol
- Shop towel

INSTALLATION

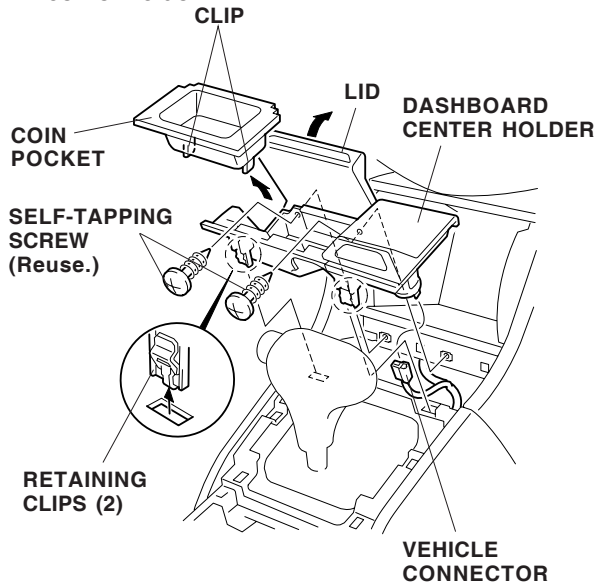
Customer Information: The information in this installation instruction is intended for use only by skilled technicians who have the proper tools, equipment, and training to correctly and safely add equipment to your vehicle. These procedures should not be attempted by "do-it-yourselfers."

1. Make sure you have the anti-theft code for the radio, then write down the radio station presets.
2. Disconnect the negative cable from the battery.

3. Insert the ignition key into the shift lock release hole, and move the shift lever to the "D" position while pressing down on the key.
 - Gently pry up on the trim ring to release the six clips.
 - Unplug the two seat heater connectors (if equipped), and remove the trim ring.

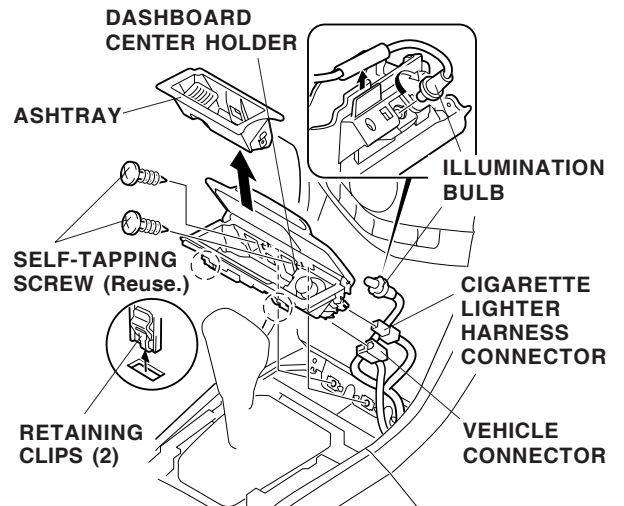


4. Remove the dashboard center holder:
 - Open the coin pocket lid, and remove the coin pocket (2 clips).
 - Remove the two self-tapping screws.
 - Gently pull out on the dashboard center holder to release the two retaining clips, unplug the vehicle connector, and remove the dashboard center holder.

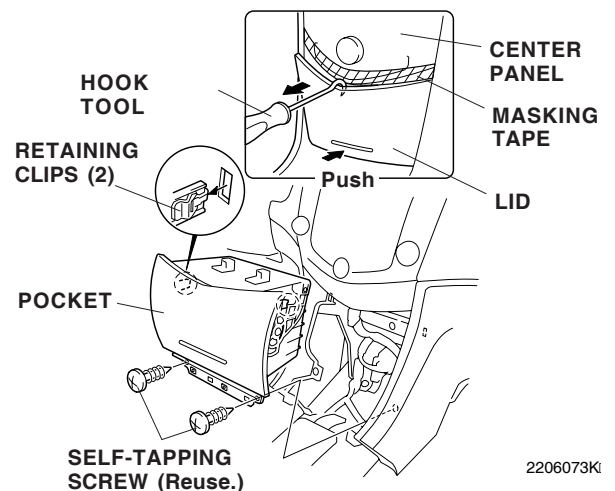


With Ashtray:

- Open the lid, and remove the ashtray.
- Remove the two self-tapping screws.
- Gently pull out on the two retaining clips, unplug the cigarette lighter harness connector, illumination bulb, and remove the dashboard center holder.

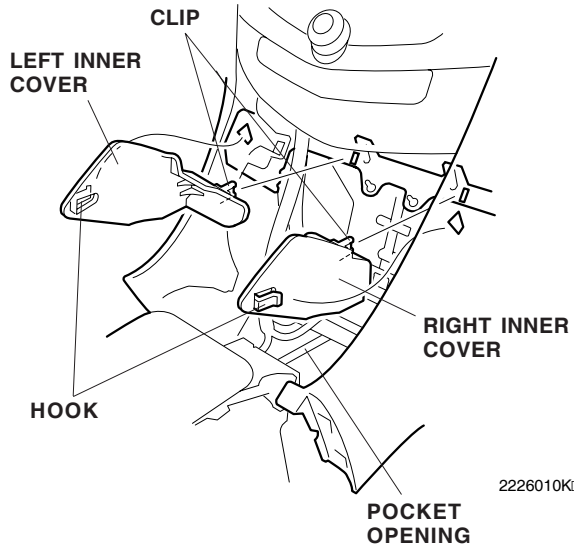


5. Remove the pocket:
 - Apply masking tape to the bottom edge of the center panel.
 - Remove the two self-tapping screws.
 - Push in on the bottom of the pocket, then insert the end of a hook tool between the pocket and the center panel to pull out the top, and release the two retaining clips.



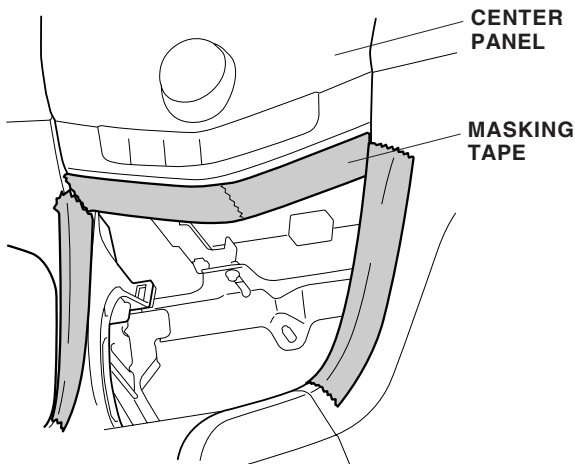
2206073K

- Remove the right and left inner covers (one hook and one clip for each cover).

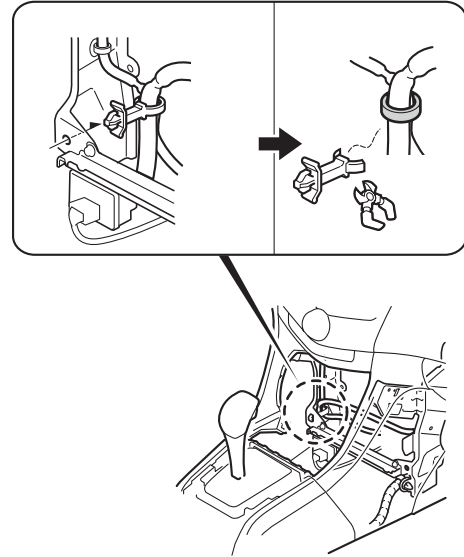


Installing the Player

- To protect the upper and side portions of the center panel, attach the masking tape to the panel in the area shown.



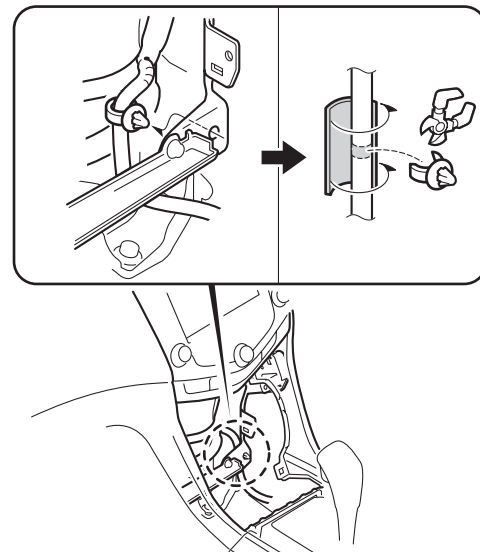
- Remove the vehicle clip from the left side of the pocket opening as shown.



- Cut off the vehicle clip and secure the vehicle harness to the vehicle harness using a wire tie.

- Take care not to damage the vehicle harness

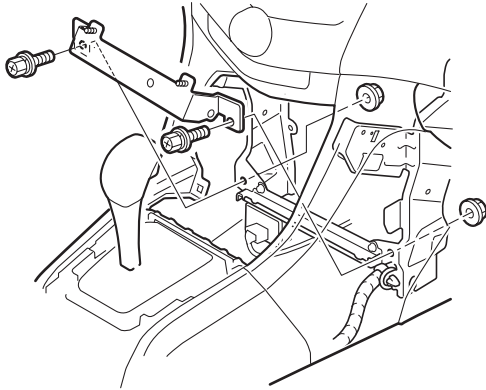
- Remove the vehicle clip from the right side of the pocket opening as shown.



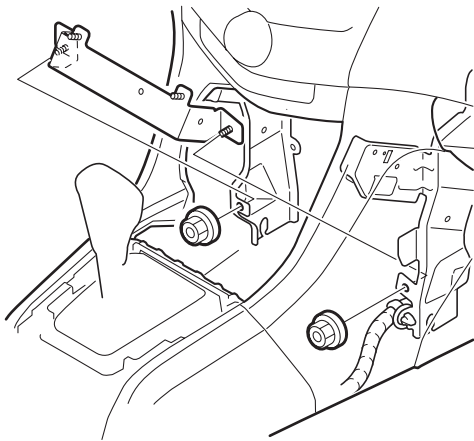
11. Cut off the vehicle clip. Warp the vehicle harness with the one EPT sealer onto the vehicle harness.
 - Take care not to damage the vehicle harness.

If the YAW sensor was equipped:

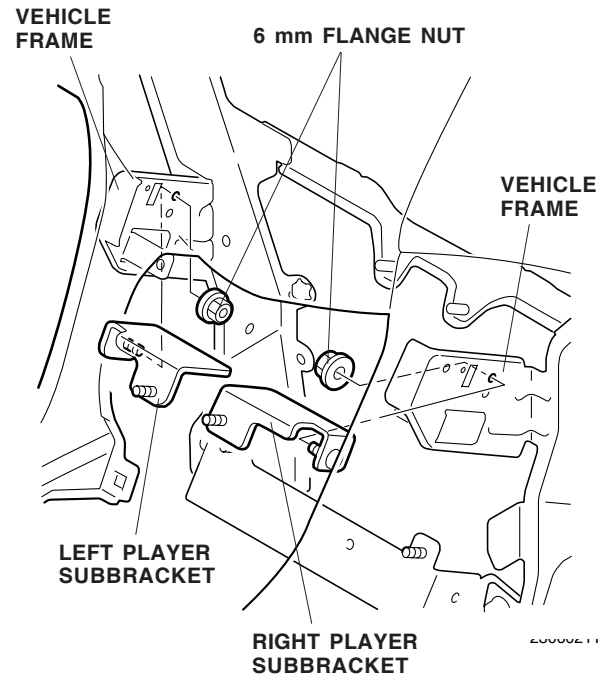
12. Install the player base bracket on the vehicle frame using two 6 x 16 mm washer-bolts and two 6 mm flange nuts.



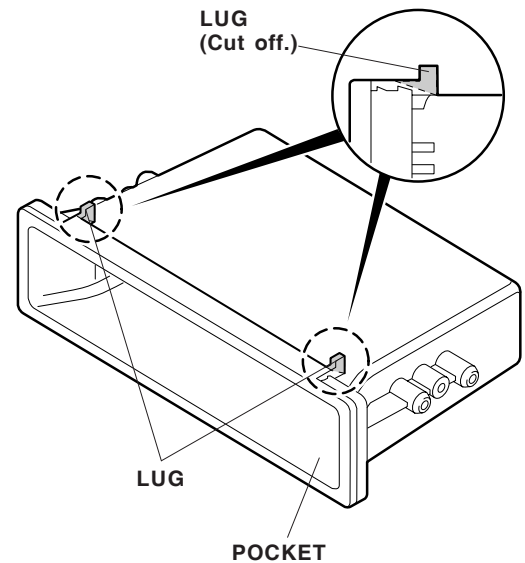
13. Insert the studs of the player base-bracket into the holes in the vehicle frame from the back, then install the two 6 mm flange nuts while holding the bracket firmly against the vehicle frame.



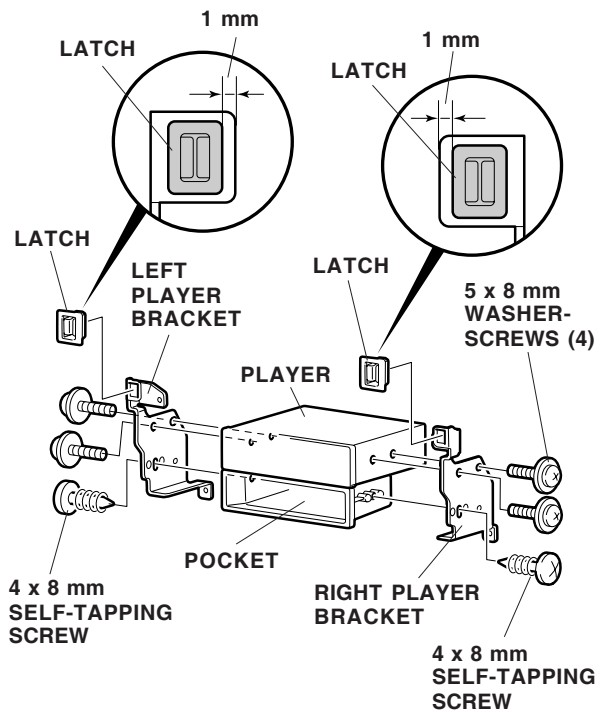
14. Insert the studs of the left and right player subbrackets into the holes in the vehicle frame. While pushing each subbracket upward, install one 6 mm flange nut on the end of each stud.



15. Using a utility knife, cut the two lugs off of the pocket.



- Install one latch onto the left and right player brackets.



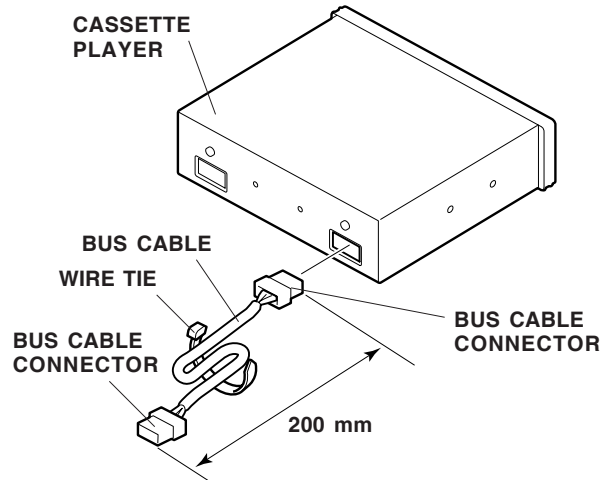
- Position the left and right player brackets on the player and pocket, and install four 5 x 8 mm washer-screws and two 4 x 8 mm self-tapping screws.

If the vehicle is equipped with an XM radio, go to step 15; otherwise go to step 14.

- Plug the BUS cable into the player.

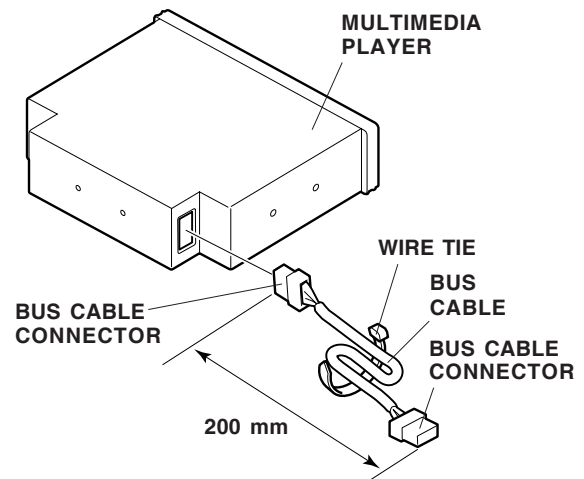
Cassette Player:

- Make loops in the BUS cable, and secure it with one wire tie so that the distance between the cable connectors is 200 mm. Plug the BUS cable connector into the cassette player connector.



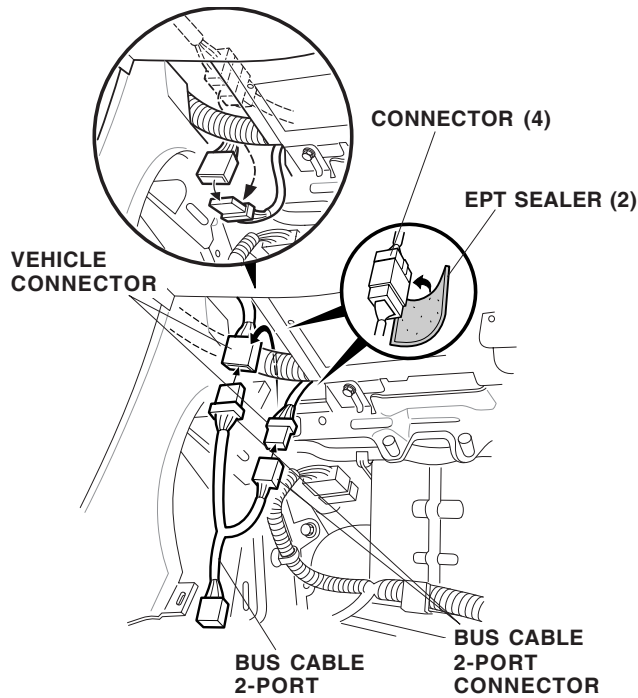
Multimedia Player:

- Make loops in the BUS cable, and secure it with one wire tie so that the distance between the cable connectors is 200 mm. Plug the BUS cable connector into the multimedia player connector.

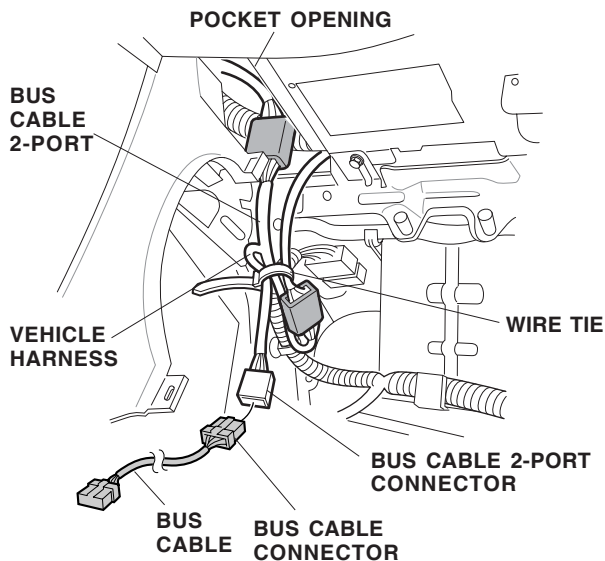


If the vehicle is not equipped with an XM radio, go to step 19; otherwise, go to step 14.

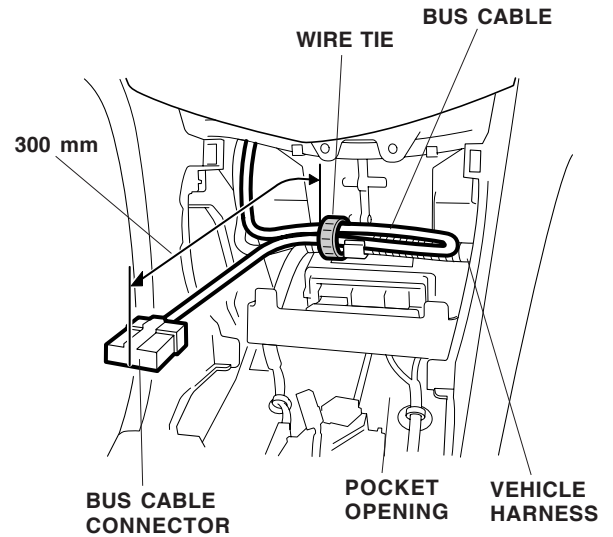
19. Locate the vehicle connector blue-taped to the vehicle harness on the driver's side of the center console. Pull out the plugged vehicle connector as shown. Unplug the vehicle connector, and plug in the BUS cable 2-port connectors in between.



20. Wrap the plugged connectors with the two EPT sealers.
21. Plug the Bus cable into the Bus cable 2-port connector.

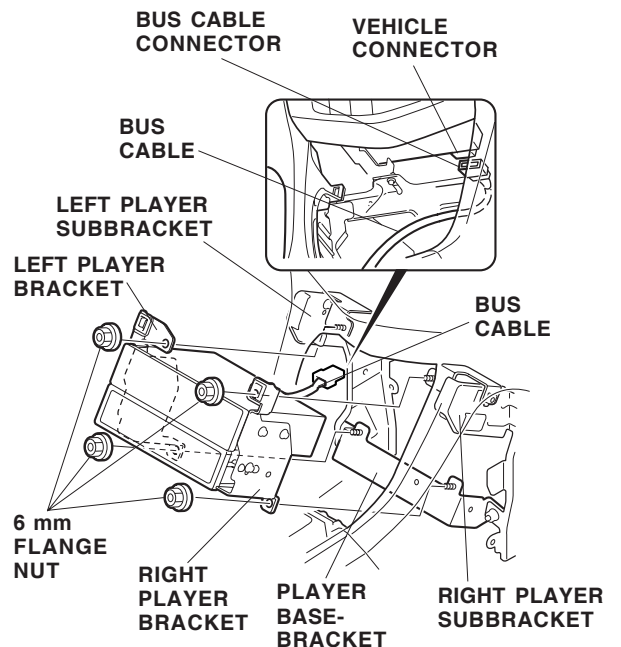


22. Secure the BUS cable 2-port connector harness to the vehicle harness with one wire tie.
23. Secure the BUS cable to the vehicle harness with one wire tie so that the distance between the wire tie and the end of the BUS cable connector is 300 mm.

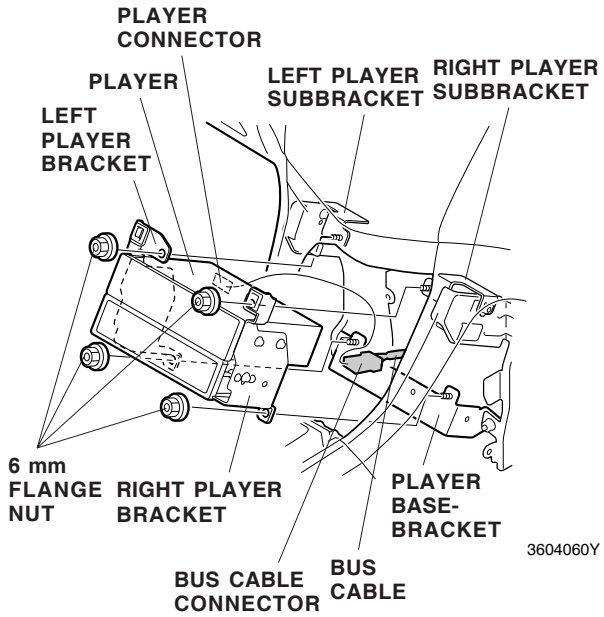


24. Plug the BUS cable connector into the vehicle connector or the player connector. Insert the studs of the left and right player subbrackets and player base-bracket into the holes in the left and right player brackets, then install one 6 mm flange nut on the end of each stud.

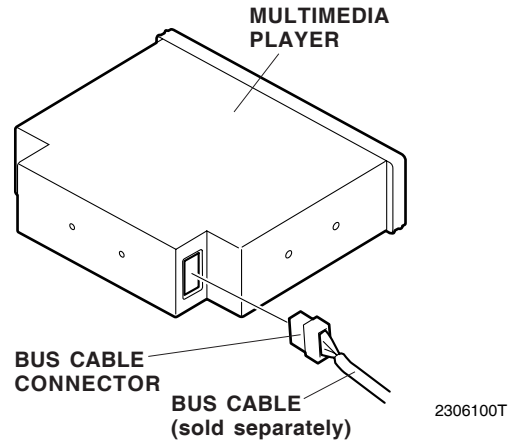
Without XM Radio:



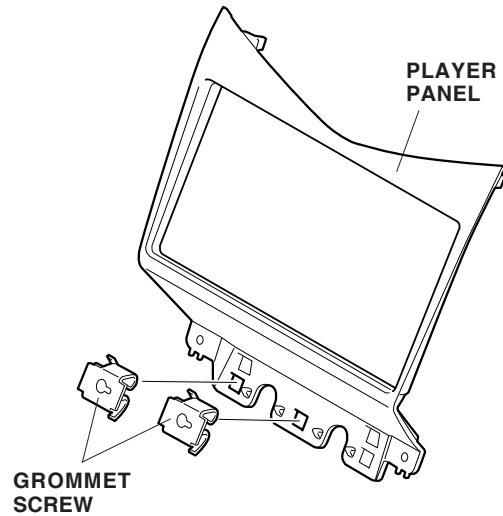
With XM Radio:



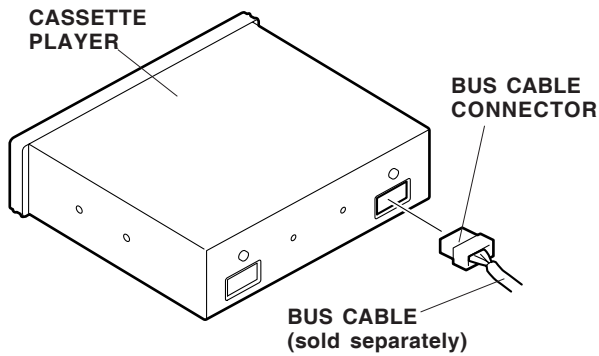
With XM Radio and Multimedia Player:



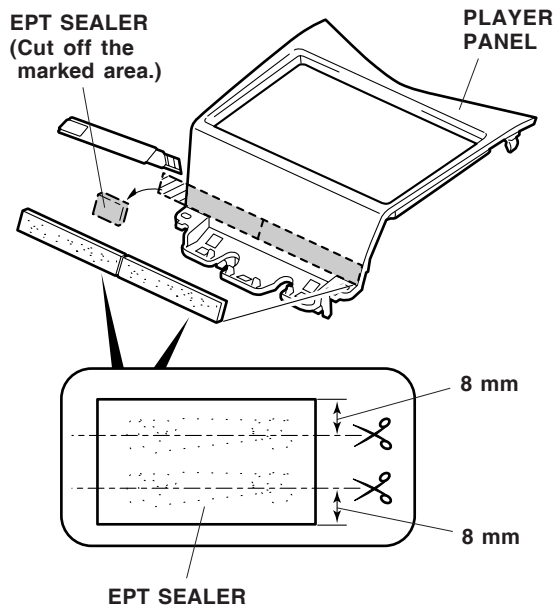
25. Attach the two grommet screws to the player panel in the square holes shown.



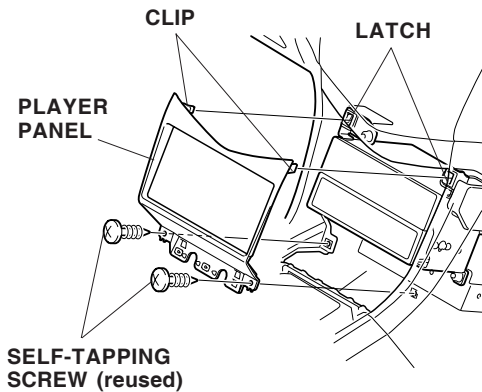
With XM Radio and Cassette Player:



- Using scissors, cut one EPT sealer into three pieces.



- Using isopropyl alcohol on a clean towel, wipe the player panel where the EPT sealers will attach. Attach the EPT sealer to the player panel, and cut off the excess.
- Insert the player panel clips into latches, and attach the player panel to the instrument panel with the two self-tapping screws you removed in step 5. Remove the masking tape.



- Check that all wire harnesses are routed properly and all connectors are plugged in.
 - Reconnect the negative cable to the battery.
 - Enter the customer's radio anti-theft code, and reset the radio station presets.
 - Set the clock.
 - Check the operation of the player according to the owner's manual supplied.
 - If the IMA battery level gauge (BAT) displays zero segments, start the engine, and hold it between 3,500 rpm and 4,000 rpm (in Park or Neutral) until the IMA battery level displays at least three segments.
 - Put the player Owner's Manual in the glove box.
 - Reinstall all removed parts.
- NOTE:** Whenever the battery is disconnected, the driver's window AUTO function is disabled.
- Start the engine. Push down fully on the driver's window switch until the window is fully open.
 - Pull up fully on the driver's window switch to close the window completely, then hold the switch for 2 seconds or more.
 - Use the window switch to check the window AUTO function.