



INSTALLATION INSTRUCTIONS

Accessory

SPORT SUSPENSION

Application

2007 ACCORD
2-DOOR

Publications No.

All 32668

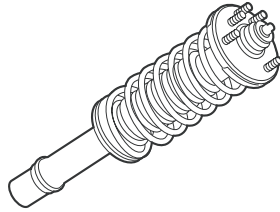
Issue Date

JULY 2006

PARTS LIST

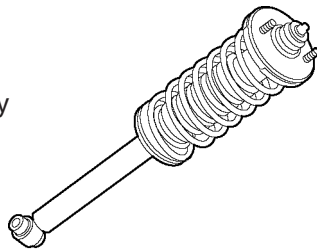
Right front damper assembly

Left front damper assembly

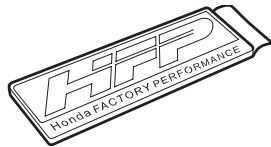


Right rear damper assembly

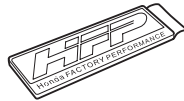
Left rear damper assembly



Trunk Emblem



Dash Emblem



TOOLS AND SUPPLIES REQUIRED

14 mm and 17 mm Combination wrenches

14 mm and 17 mm Sockets

Hex wrench

Ratchet

Torque wrench

Shop towels

Isopropyl alcohol

INSTALLATION

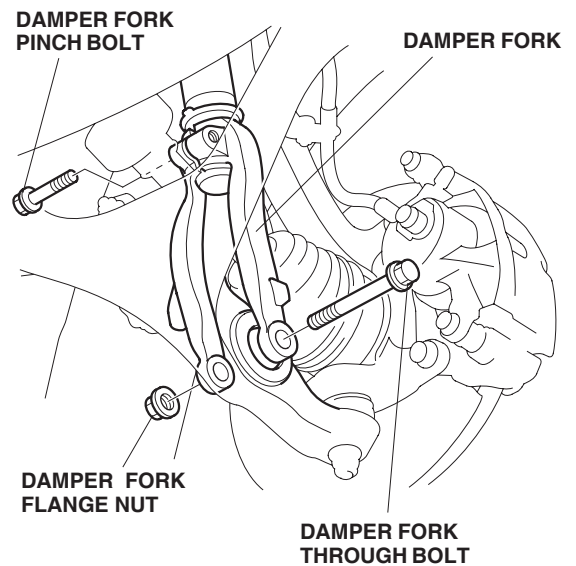
Customer Information: The information in this installation instruction is intended for use only by skilled technicians who have the proper tools, equipment, and training to correctly and safely add equipment to your vehicle. These procedures should not be attempted by "do-it-yourselfers."

NOTE:

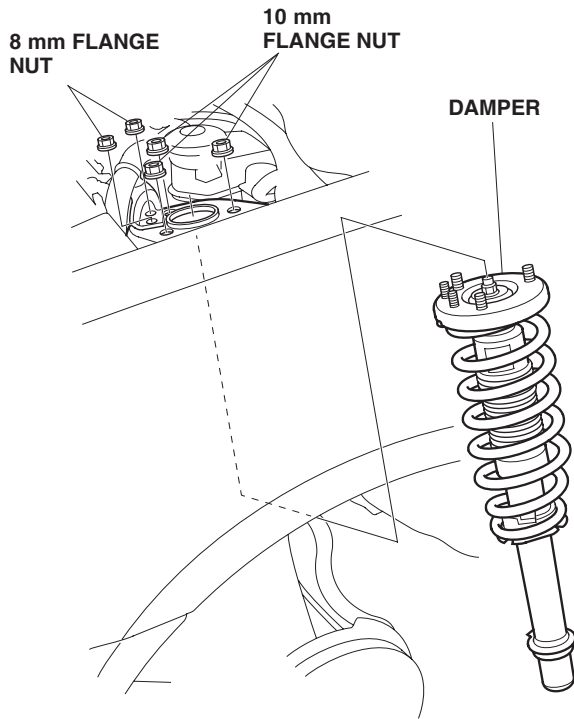
- Inflate the tires to the specified air pressure.
- These instructions show one side of the damper assembly being installed; the same procedure applies to installing the other side of the damper assembly.
- These dampers are designed to be used exclusively with this model and should not be used with other models.
- The rear dampers for the left and right sides are different. Be sure to note the "L" and "R" markings on the dampers for proper installation.

Removing the Front Damper

1. With the vehicle on a rack, remove all four wheels.
2. Remove the damper fork through bolt, and remove the damper fork pinch bolt. Remove the damper fork assembly.

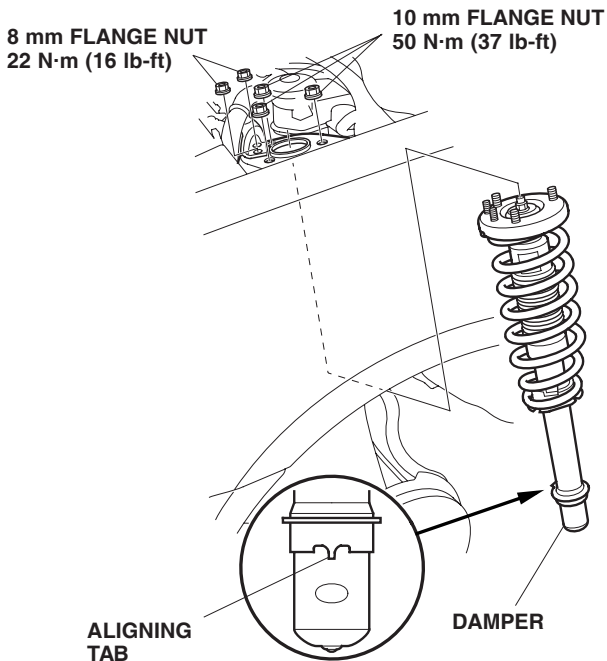


- Remove the two 8 mm flange nuts, and three 10 mm flange nuts from the top of the damper. Remove the damper assembly.

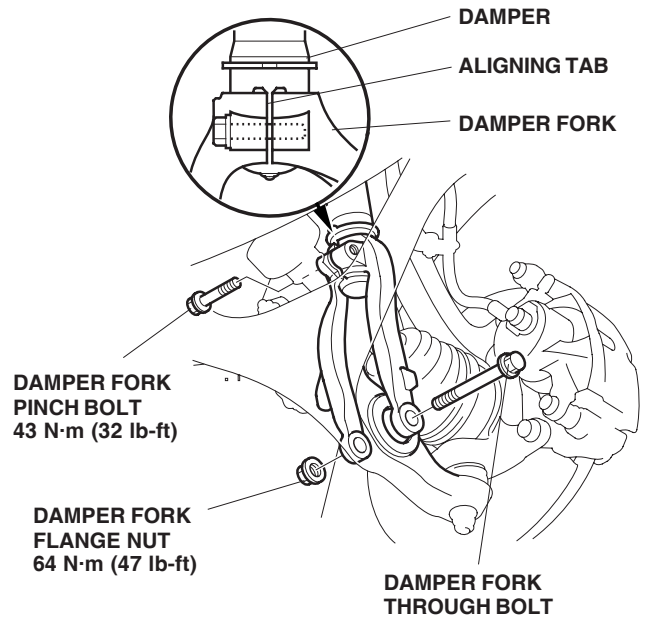


Installing the New Front Damper

- Install the damper assembly with the aligning tab facing the inside of the vehicle. Loosely install the flange nuts.



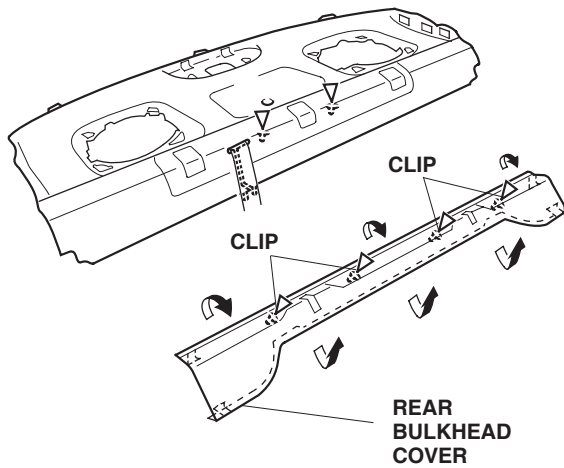
- Install the damper fork over the driveshaft, and onto the lower arm. Install the damper in the damper fork so the aligning tab is aligned with the slot in the damper fork.



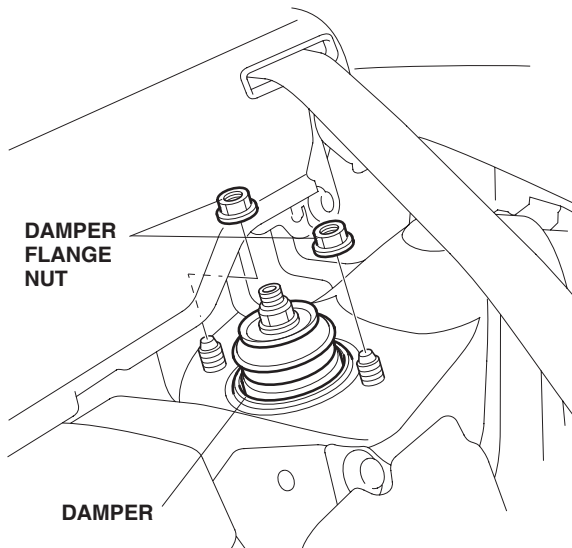
- Loosely install the damper fork pinch bolt to the damper fork.
- Install the damper fork through bolt with nut, and loosely tighten.
- Place a floor jack under the lower arm, and raise the suspension to load it with the vehicle's weight.
- Torque the 10 mm flange nuts on the top of the damper to 50 N·m (37 lb-ft), and torque the 8 mm flange nuts to 22 N·m (16 lb-ft).
- Torque the damper fork pinch bolt to 43 N·m (32 lb-ft).
- Torque the damper fork flange nut to 64 N·m (47 lb-ft).
- Repeat steps 2 through 11 to install the damper assembly on the other side.

Removing the Rear Damper

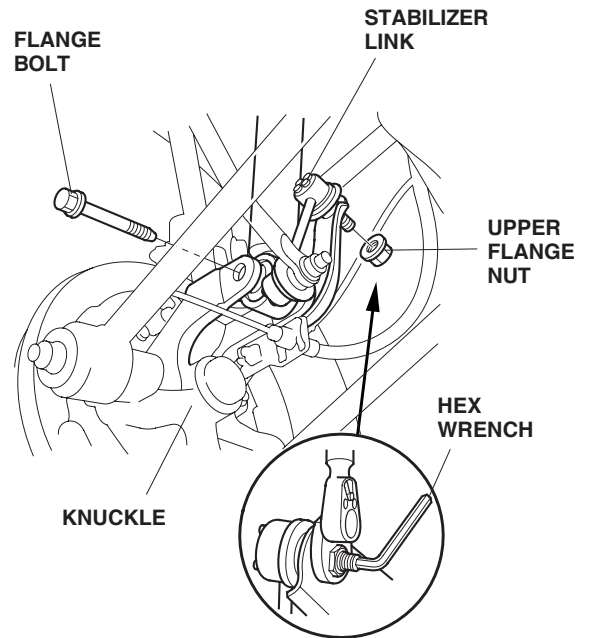
13. Unlatch and lower the rear seats. Remove the rear bulkhead cover (four clips).



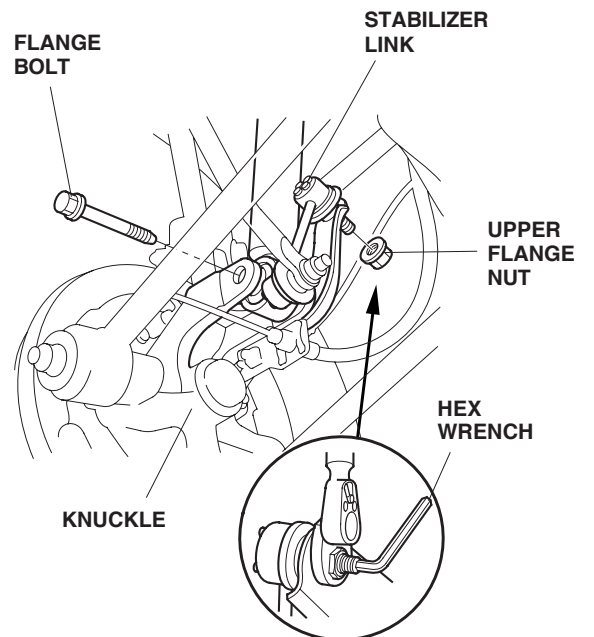
14. Remove the two flange nuts from the top of the damper.



15. Remove the flange bolt from the knuckle.



16. Remove the upper flange nut from the stabilizer link. Be sure to hold the hex key of the stabilizer link when removing the nut. Disconnect the stabilizer link from the bracket.

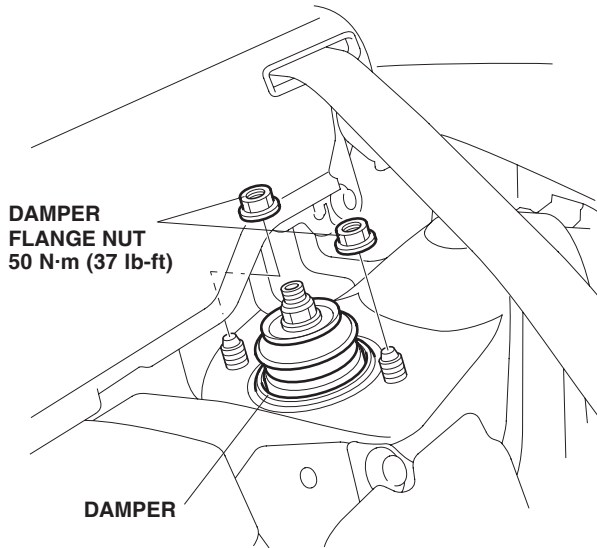


- Lower the rear suspension, and remove the damper assembly. The dampers are different for the left and right sides. Note the "L" and "R" markings on the top of the damper flange.

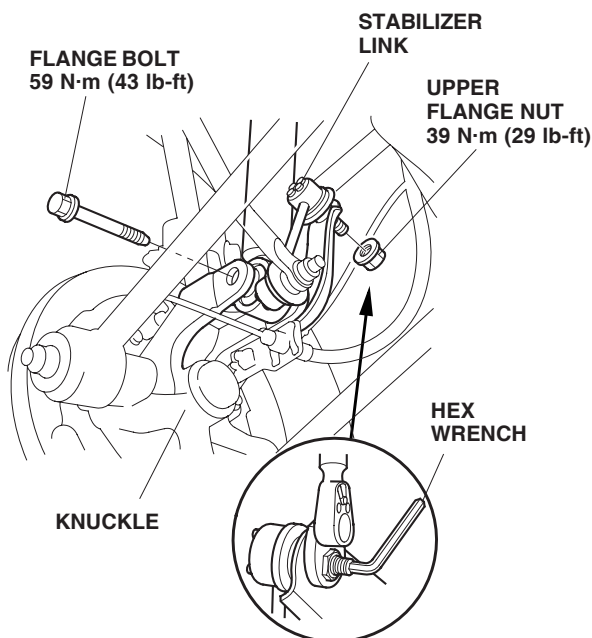
Installing the New Rear Damper

NOTE: The rear dampers are marked "L" for the left side, and "R" for the right side.

- Lower the rear suspension, and install the damper assembly. Loosely install the damper flange nuts to the top of the damper.



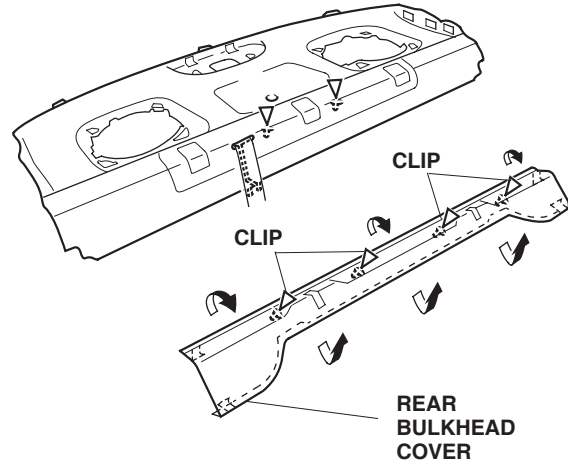
- Position the lower portion of the rear damper, and install the flange bolt loosely. Connect the stabilizer link to the bracket, and loosely install the upper flange nut.



- Place a floor jack under the rear suspension to load it with the vehicle's weight.

- Torque the two flange nuts on the top of the damper to 50 N·m (37 lb-ft), torque the knuckle flange bolt to 59 N·m (43 lb-ft), and torque the stabilizer upper flange nut to 39 N·m (29 lb-ft). Be sure to hold the hex key of the stabilizer link when tightening the stabilizer link nut.

- Install the rear bulkhead cover (four clips) after both rear damper assemblies have been installed.



- Repeat steps 14 through 21 to install the damper assembly on the other side.

- Install the wheels and torque the wheel nuts to 108 N·m (80 lb-ft.).

- Check the wheel alignment (toe) and adjust as necessary.

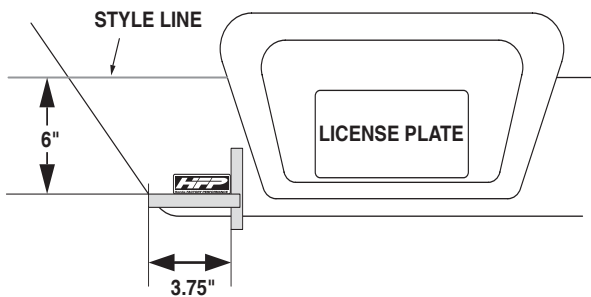
- Check the headlight aiming and adjust as necessary.

Installing the Emblems

There are two different size emblems and specific installation instructions for each one:

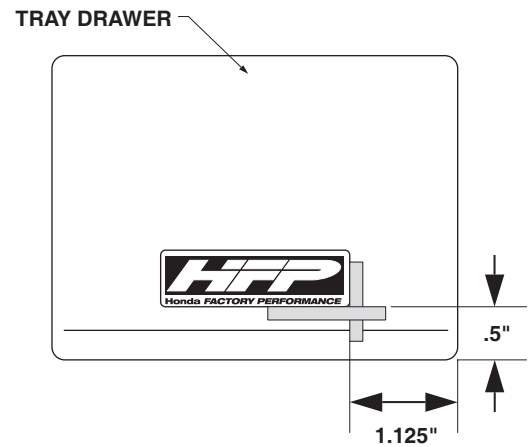
- Exterior Emblem 25.4 x 84.1 mm (1.0 x 3.3 inches)
- Interior Emblem 19.0 x 60.3 mm (.75 x 2.4 inches)

27. Using a shop towel dampened with isopropyl alcohol, clean the body surface where the exterior emblem will attach.
28. Using the lower left corner style lines of the trunk as a guide, position two pieces of masking tape as shown.

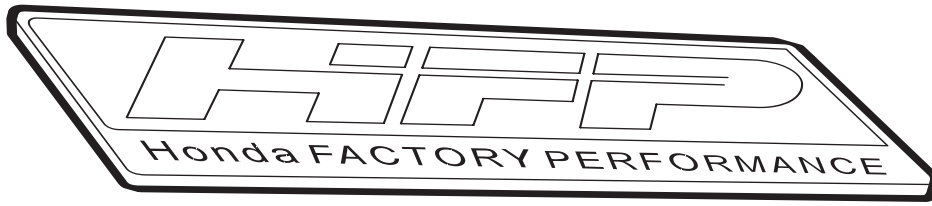


29. Remove the adhesive backing from the emblem, and position the exterior emblem on the trunk; use the masking tape as the horizontal and vertical guides.
30. Firmly press the emblem into position and remove the masking tape.
31. Clean the center console ashtray door area with soap and water. Be sure the area is completely dry before installing the emblem.

32. Using the lower right corner of the ashtray door as a guide, position two pieces of masking tape as shown.



33. Remove the adhesive backing from the emblem, and position the interior emblem on the center console ashtray door; use the masking tape as the horizontal and vertical guides.
34. Firmly press the emblem into position, and remove the masking tape.



Installation Certification

I certify that an Accord Factory Performance System sports suspension has been installed on this vehicle following Honda specifications:

VIN

Technician

Date

Dealer Number

Dealer Sales Copy

Customer Copy

AHM copy