



# INSTALLATION INSTRUCTIONS

Accessory  
**FLOOR MATS**

Application  
**2007 ACCORD  
2-DOOR**

Publications No.  
**All 32682**  
Issue Date  
**JULY 2006**

**Put this information in the glove box with the vehicle owner's manual.**

## PARTS LIST

### All Season Floor Mats:

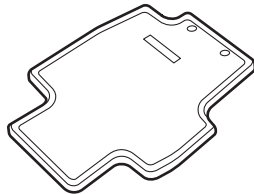
Front Floor Mat P/N 08P13-SDA-110 (Black)

Rear Floor Mat P/N 08P13-SDN-110 (Black)

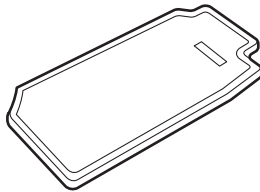
Front Floor Mat P/N 08P13-SDA-120 (Taupe)

Rear Floor Mat P/N 08P13-SDN-120 (Taupe)

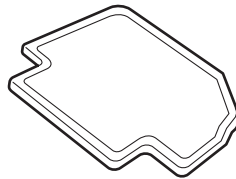
Driver's side front floor mat



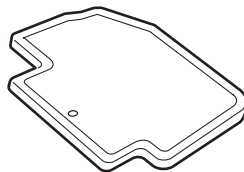
Passenger's side front floor mat



Driver's side rear floor mat



Passenger's side rear floor mat

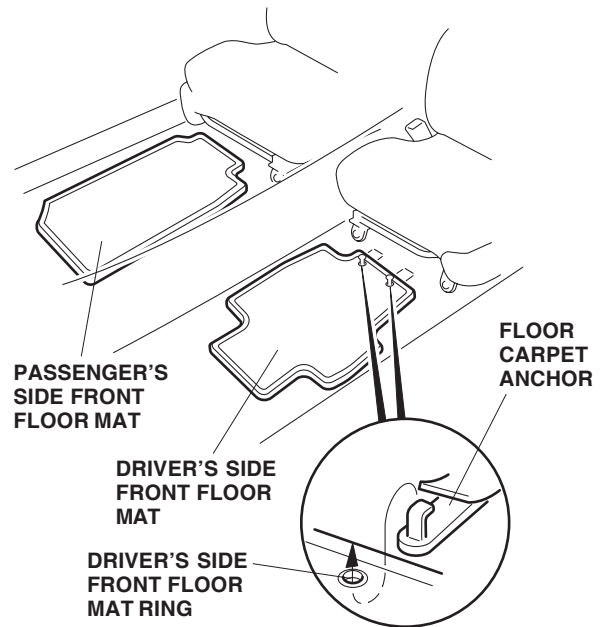


## INSTALLATION

### NOTE:

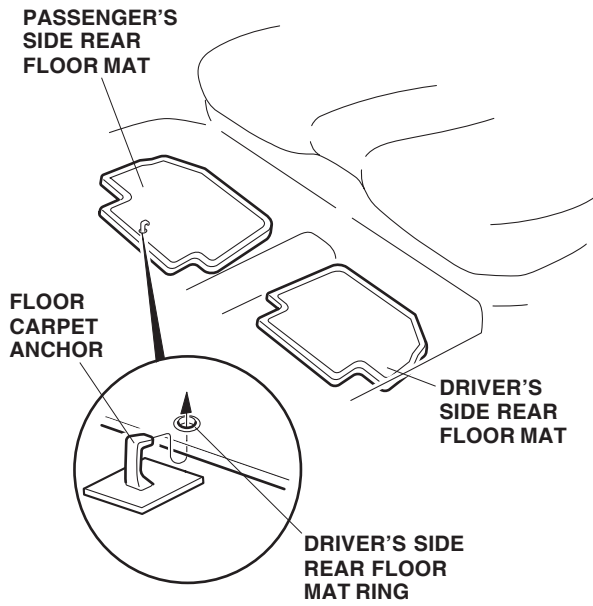
- Remove the standard floor mats before installing these floor mats.
- Before installing, identify each floor mat.
- The floor mat anchors are required for the driver's side of the vehicle; the anchor prevents the driver's side floor mat from sliding forward and interfering with the pedals.

1. Install the driver's side front floor mat by placing the rings in the floor mat around two anchors on the floor carpet.



2. Install the passenger's side front floor mat on the floor carpet.

3. Install the driver's side rear floor mat on the floor carpet.



4. Install the passenger's side rear floor mat by placing the ring in the floor mat around the anchor on the floor carpet.