



INSTALLATION INSTRUCTIONS

Accessory

DOOR PANEL TRIM KIT

Application

2007 ACCORD
2-DOOR

Publications No.

All 32677

Issue Date

JULY 2006

PARTS LIST

Door Panel Trim

P/N 08Z03-SDN-140A (Wood - look)

P/N 08Z03 SDN-120A (Burlwood - look)

P/N 08Z03-SDN-110 (Metal - look)

Left door panel trim



Right door panel trim



SUPPLIES REQUIRED

Isopropyl alcohol

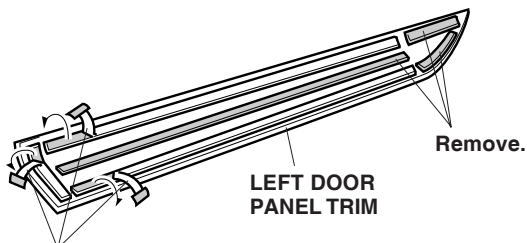
Shop towel

Masking tape

INSTALLATION

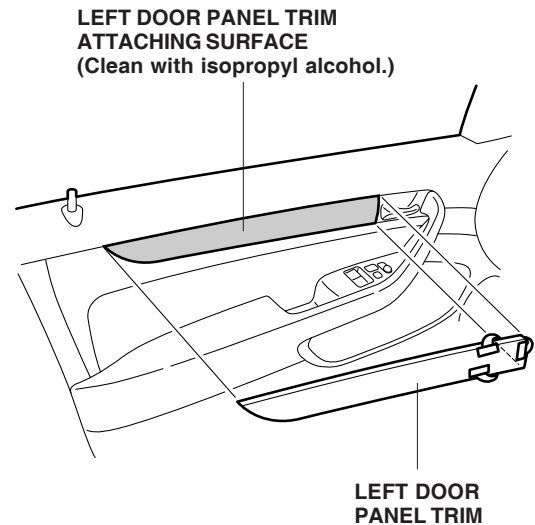
NOTE:

- The door panel trim kit should be installed only if the outside air temperature is 60°F (15°C) or above.
 - These instructions show the left door panel trim being installed. The same procedure applies to installing the right door lining panel.
1. Using isopropyl alcohol on a shop towel, clean the areas where the left door panel trim will attach.
 2. Remove and discard the inner adhesive backing and the small pieces of outer adhesive backing. Attach a strip of masking tape to the end of each remaining outer adhesive backing, and remove 1 to 1½ in. (40 to 50 mm) of the adhesive backing. Fold the ends back, and tape them to the front of the trim.



OUTER ADHESIVE BACKING
Remove 1 to 1½ in. (40 to 50 mm)
from the end, and tape to the
front of the trim.

3. Position the trim on the existing door panel. While applying light pressure on the trim, carefully remove the adhesive backings.



4. After installing the trim, use the palm of your hand to hold pressure against it for 30 seconds.
5. Repeat steps 1 through 4 to install the right door panel trim.

USE AND CARE

Use a sponge or soft cloth dampened with mild detergent and water solution. After cleaning, wipe with a clean, soft cloth. Do not use cleaners or polishers containing abrasive compounds to clean the door panel trim as they may damage the surface.