



INSTALLATION INSTRUCTIONS

Accessory

ENGINE BLOCK HEATER
P/N 08T44-S2A-101

Application

2006 S2000

Publications No.

All 31060

Issue Date

OCT 2005

PARTS LIST

Engine block heater



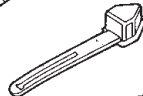
Aluminium washer



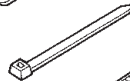
Heater harness



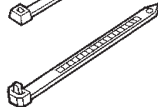
Protective cap



4 Short wire ties



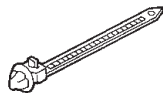
2 Long wire ties



Bracket



2 Wire ties with clip



TOOLS AND SUPPLIES REQUIRED

10 mm and 12 mm Combination wrenches

19 mm and 24 mm Sockets

Wire cutters

Ratchet

Torque wrench

Drain pan

Tape measure

Coolant (Honda All Season Antifreeze/Coolant Type 2)

NOTE:

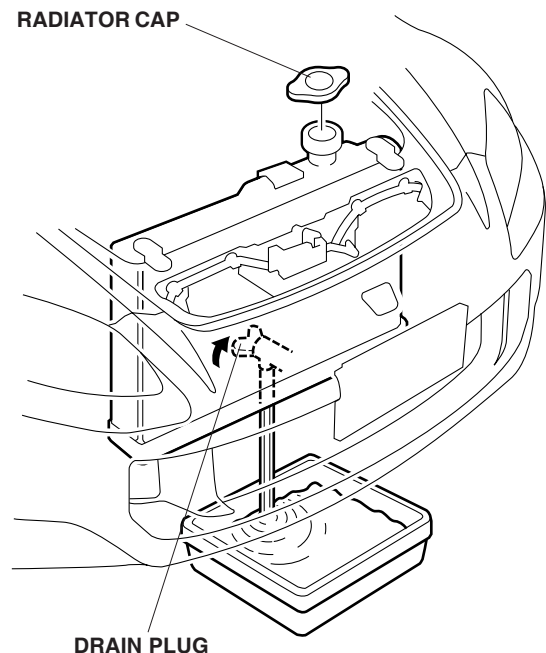
- Always use Honda Antifreeze/Coolant. Using a non-Honda coolant can result in corrosion, causing the cooling system to malfunction or fail.
- To avoid burning out the element, do not operate the engine block heater before it is installed in the vehicle and before you add coolant.

INSTALLATION

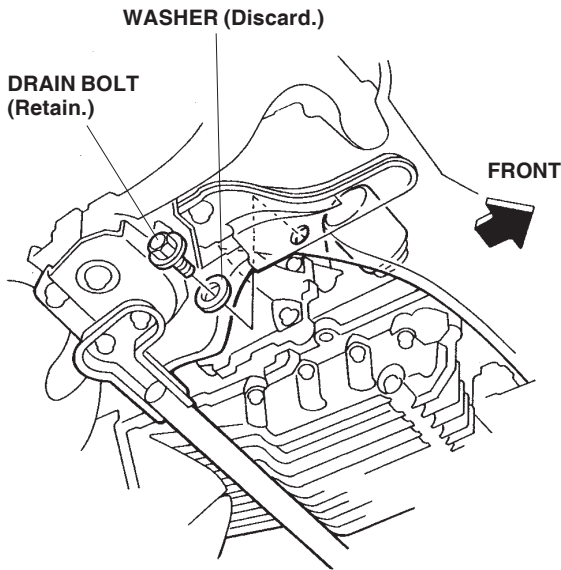
Customer Information: The information in this Installation Instruction is intended for use only by skilled technicians who have the proper tools, equipment, and training to correctly and safely add equipment to your vehicle. These procedures should not be attempted by "do-it-yourselfers."

1. Allow the engine and all cooling system components to cool down.
2. Place a clean drain pan under the radiator drain plug, then remove the drain plug from the bottom of the radiator to drain the coolant. Remove the radiator cap to increase the flow.

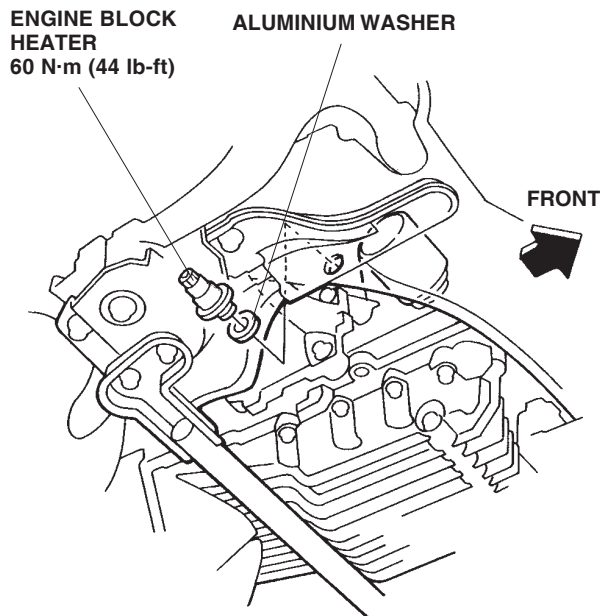
NOTE: Radiator coolant will damage paint. Quickly rinse any spilled coolant from painted surfaces.



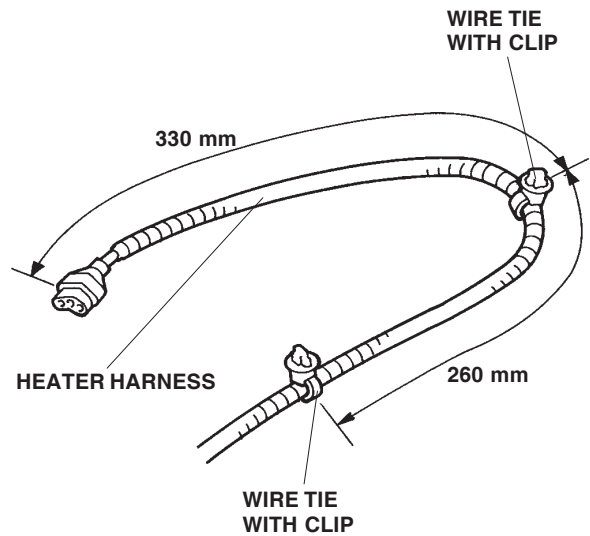
3. Locate and remove the engine block drain bolt and washer. Coolant remaining in the engine jackets flows out of the bolt hole when the bolt is removed. (Retain the bolt in case the block heater is removed.)



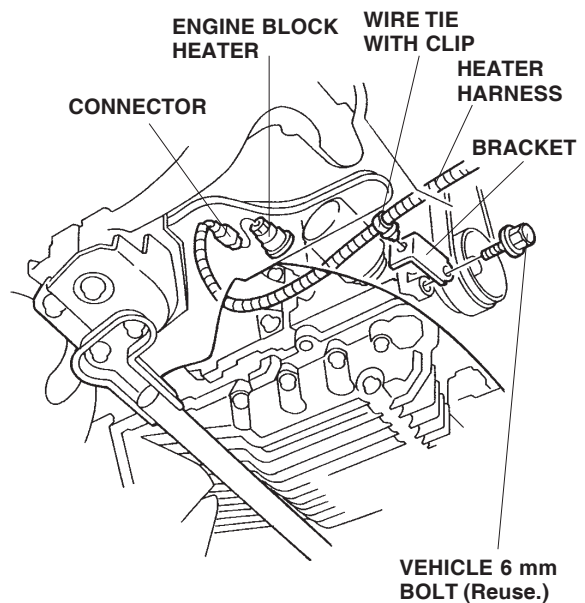
4. Install the new aluminium washer and the engine block heater into the bolt hole using a 24 mm socket and a torque wrench. Torque the engine block heater to 60 N·m (44 lb-ft).



5. Attach the two wire ties with clip to the heater harness in the areas shown.

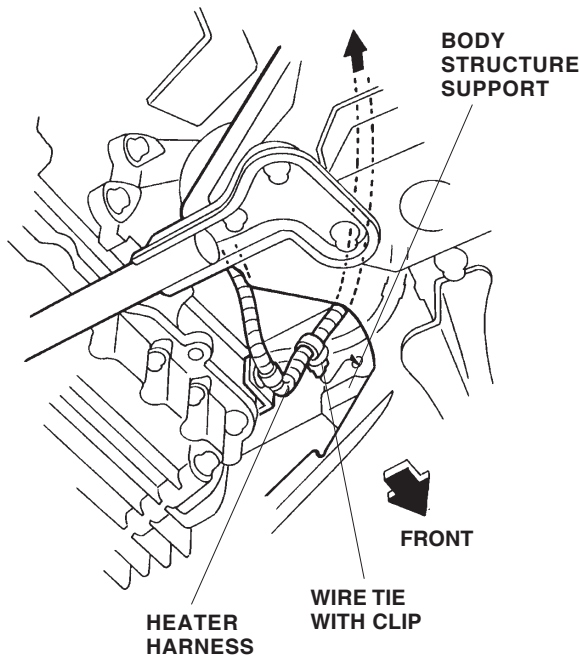


6. Plug the connector of the heater harness into the engine block heater.

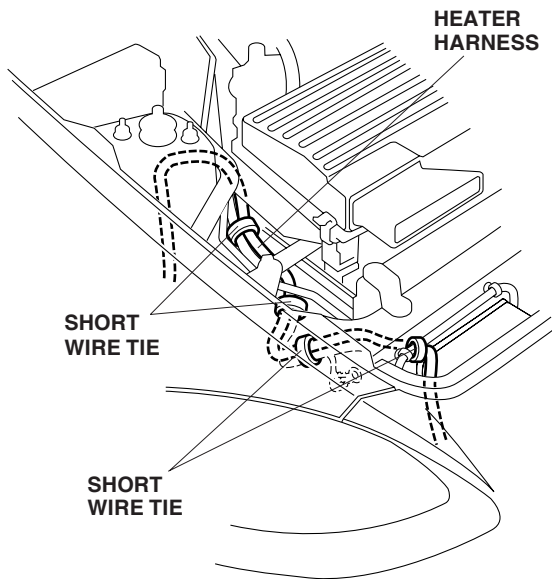


7. Remove the 6 mm bolt that fastens the engine front cover, and attach the bracket from the kit with this 6 mm bolt. Torque the 6 mm bolt to 12 N·m (9 lb-ft).
8. Push the clip of one wire tie with clip attached in step 5 into the hole in the bracket.

- Route the heater harness as shown, and push the clip of the other wire tie with clip attached in step 5 into the hole in the body structure support.

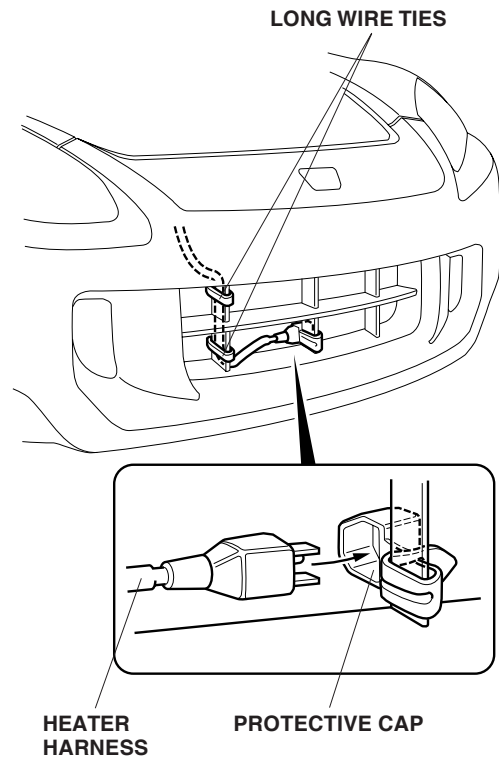


- Continue routing the heater harness along the vehicle harness as shown.



- Secure the heater harness to the vehicle harness with four short wire ties in the areas shown.

- Attach the protective cap to the front bumper grille, and plug the connector of the heater harness into the protective cap.



- Secure the heater harness to the front bumper grille with two long wire ties.
- Reinstall the radiator drain plug.
- Fill the system with the recommended coolant; follow the instructions described in the service manual.
- Check the coolant reservoir for correct level and signs of leakage. Repair as necessary.
- Check that the heater harness is routed properly and all connectors are plugged in.
- Put the drain bolt (removed in step 3) in the glove box.