



INSTALLATION INSTRUCTIONS

Accessory

REAR SPLASH GUARDS
P/N 08P09-SJC-100

Application

2006 RIDGELINE

Publications No.

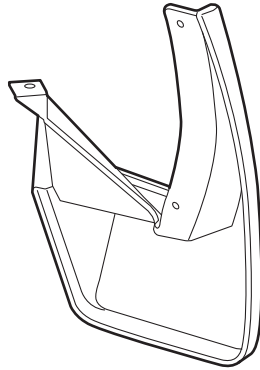
All 28618

Issue Date

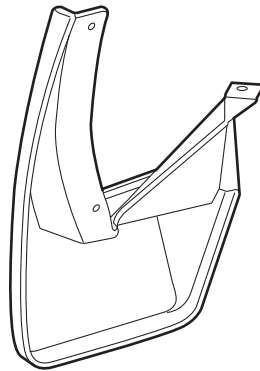
FEB 2005

PARTS LIST

Left rear splash guard



Right rear splash guard



2 Clips



TOOLS REQUIRED

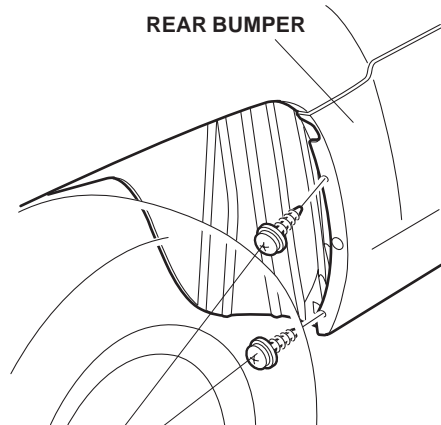
Stubby Phillips screwdriver

Flat-tip screwdriver

INSTALLATION

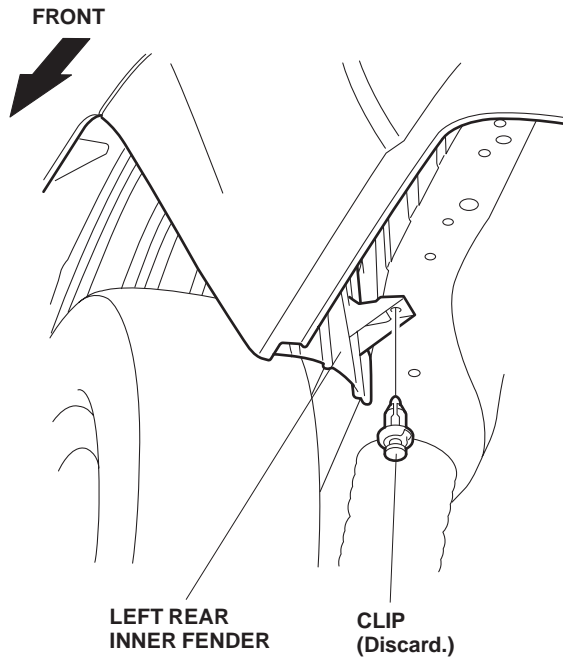
NOTE:

- These instructions show the left side splash guard being installed. The same procedure applies to installing the right side splash guard.
 - Clean the area to be covered, and wax it with a high-quality paste wax.
1. Remove two self-tapping screws from the rear bumper.

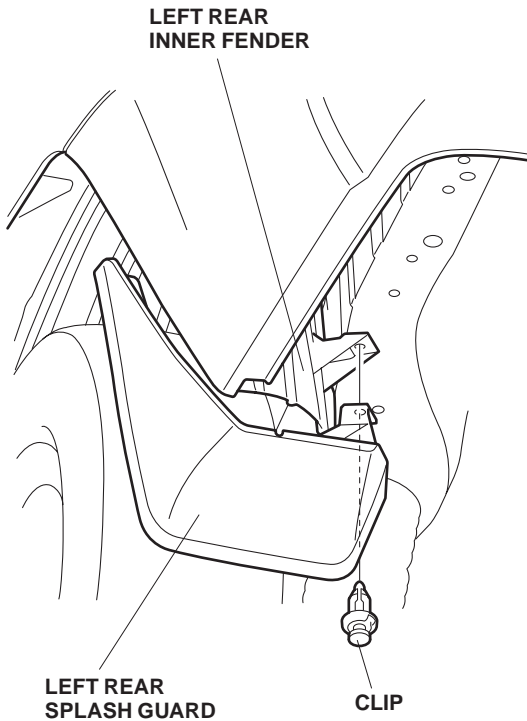


SELF-TAPPING
SCREW (Reuse.)

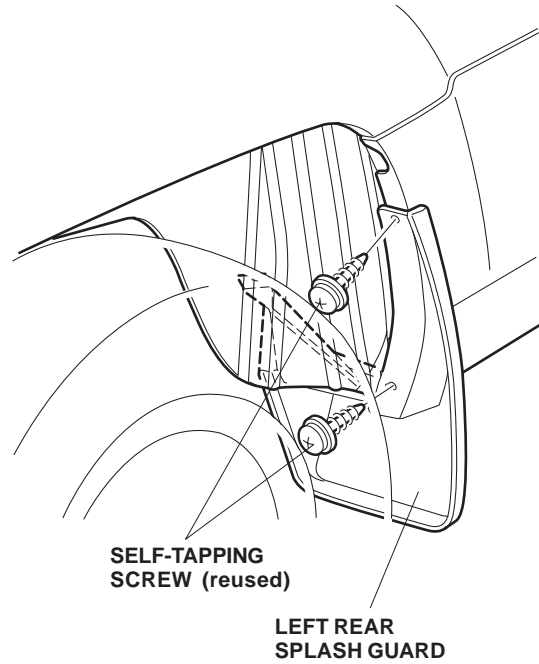
2. Remove and discard the clip from the rear of the left rear inner fender.



3. Position the left rear splash guard on the left rear inner fender and install the clip from the kit.



4. While holding the rear splash guard against the bumper, install the splash guard with two self-tapping screws.



5. Repeat steps 1 thru 4 to install the right rear splash guard on the right side of the vehicle.