



INSTALLATION INSTRUCTIONS

Accessory

FENDER FLARES

Application

2006 RIDGELINE

Publications No.

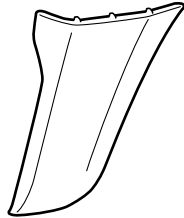
All 28601

Issue Date

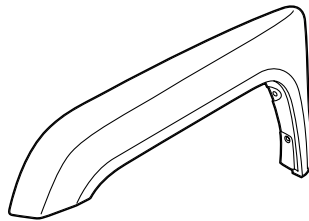
FEB 2005

PARTS LIST

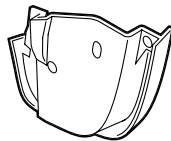
Left front bumper flare



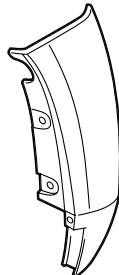
Left front fender flare



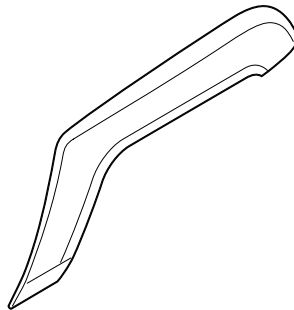
Left front fender guard



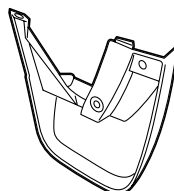
Left rear bumper flare



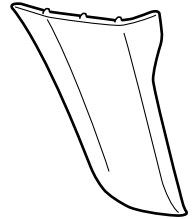
Left rear fender flare



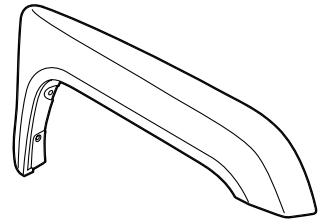
Left rear fender guard



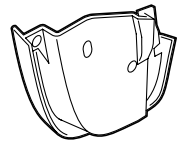
Right front bumper flare



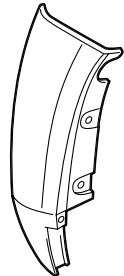
Right front fender flare



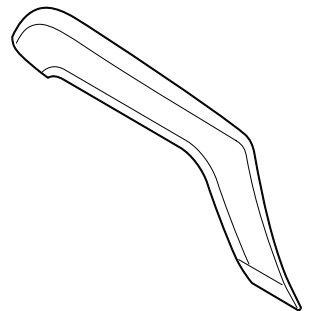
Right front fender guard



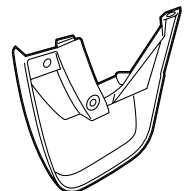
Right rear bumper flare



Right rear fender flare



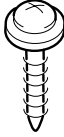
Right rear fender guard



8 Self-tapping screws, 5 x 20 mm



4 Self-tapping washer-screws, 5 x 25 mm



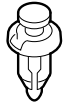
6 Short spring nuts



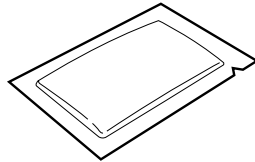
4 Long spring nuts



6 Clips



10 Alcohol pads



TOOLS AND SUPPLIES REQUIRED

- Stubby Phillips screwdriver
- Phillips screwdriver
- Flat-tip screwdriver
- Isopropyl alcohol
- Shop towel
- Masking tape
- Clip remover
- Awl

INSTALLATION

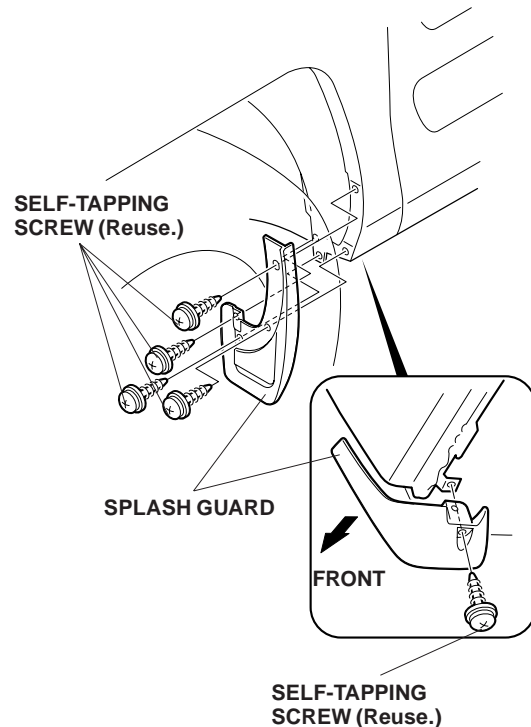
Customer Information: The information in this installation instruction is intended for use only by skilled technicians who have the proper tools, equipment, and training to correctly and safely add equipment to your vehicle. These procedures should not be attempted by "do-it-yourselfers."

NOTE:

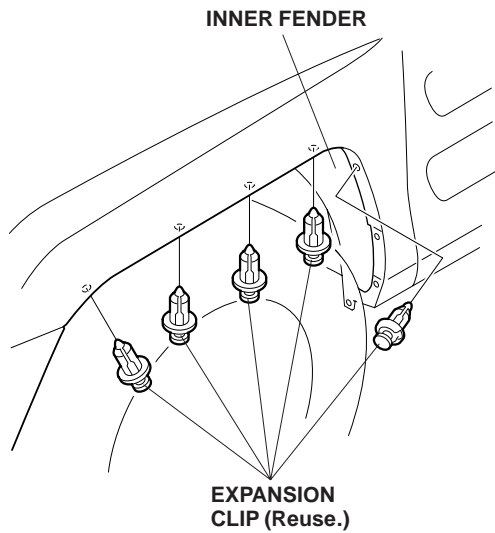
- Be careful not to damage the finished surfaces of the body when installing the fender flares.
- This fender flare kit should be installed only when the ambient air temperature is above 60°F (15°C).
- To allow the adhesive to "cure", do not wash the vehicle for 24 hours.
- These instructions show the left fender flares being installed; the same procedure applies to installing the right fender flares.

Installing the Front Fender Flare

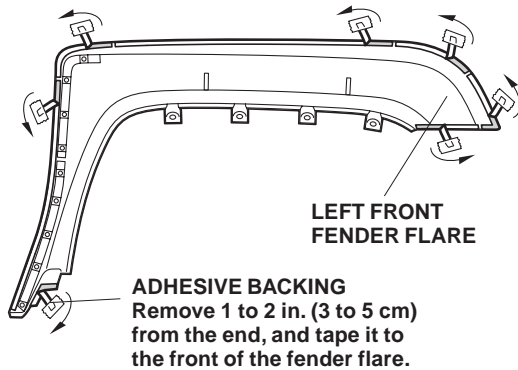
1. Remove the splash guard (five self-tapping screws).



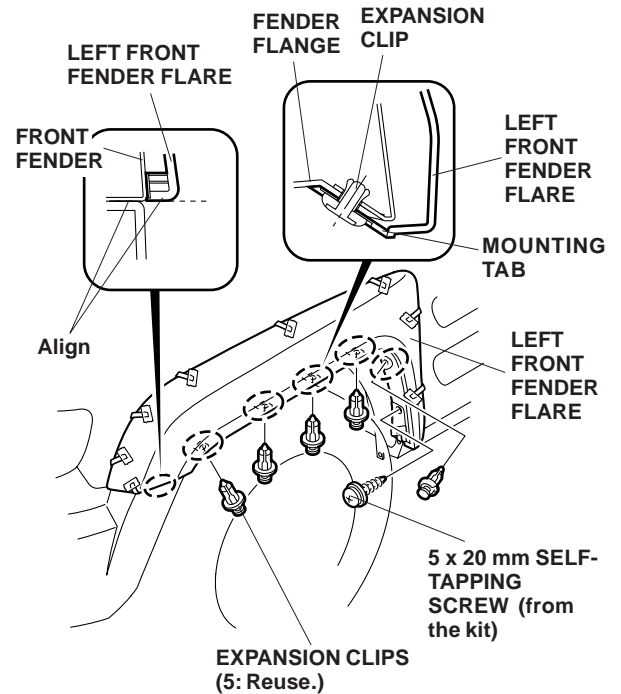
- Remove the five expansion clips from the inner fender.



- Using an alcohol pad, clean the front fender where the front fender flare will attach.
- On the inside of the left front fender flare, remove 1 to 2 in. (3 to 5 cm) of the adhesive backing. Fold the ends back, and tape them to the front of the fender flare. Start removing the adhesive backings from the front and work your way back and down.

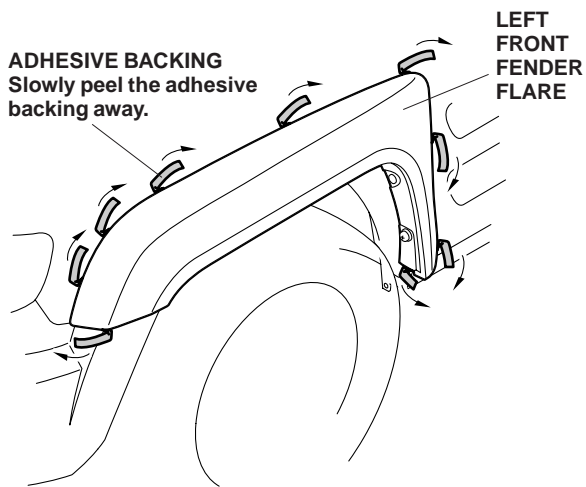


- Align the ends of the front fender flare with the front end of the front fender, and bend the mounting tabs around the fender flange. Reinstall five expansion clips through the holes in the fender flare and fender flange.



- Install one 5 x 20 mm self-tapping screw (from the kit). Do not tighten the self-tapping screw yet.

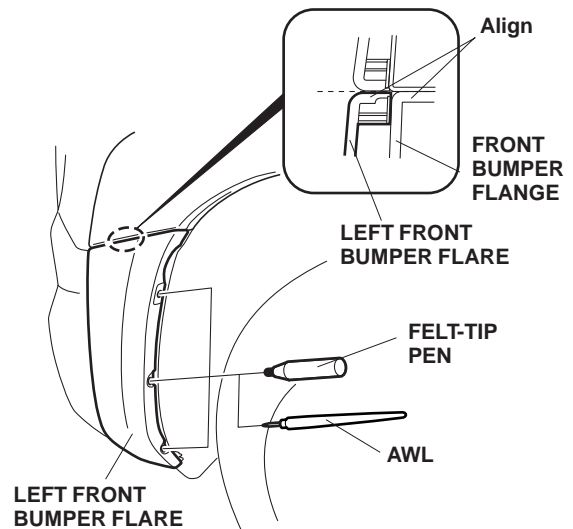
7. Remove the adhesive backings from the fender flare:
 - Start with the front adhesive backing.
 - Slowly and carefully peel the first adhesive backing from the front of the fender flare. After removing the first three adhesive backing strips, one at a time, push against the fender flare to secure the front of the fender flare. Carefully align the bottom rear of the fender flare to the contour of the body before removing the rest of the adhesive backings.
 - After removing all of the adhesive backings, press the fender flare firmly against the fender with the palm of your hand for 30 seconds, particularly at the edges. Make sure to apply enough pressure to ensure the adhesive tape sticks to the body.



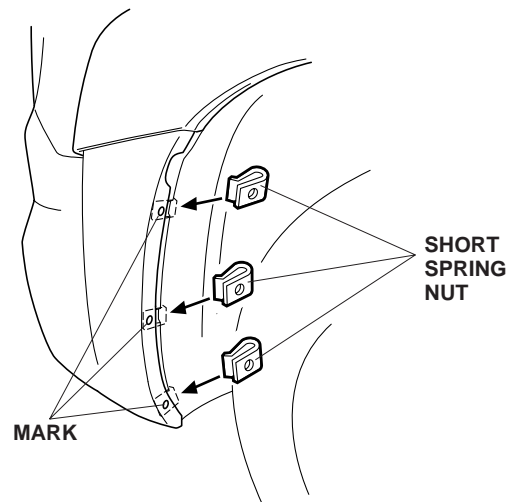
8. Tighten the 5 x 20 mm self-tapping screw.

Installing the Front Bumper Flare

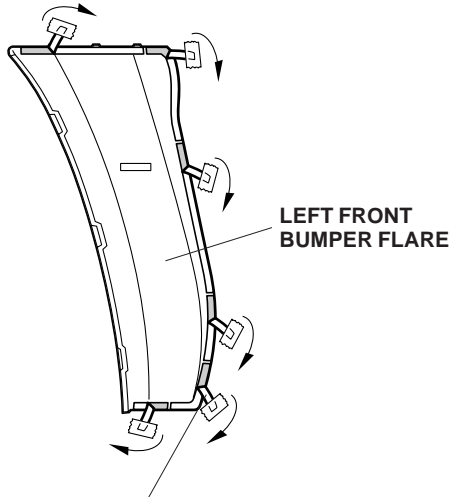
9. Align the ends of the front bumper flare with the edge of the front bumper. Using a felt-tip pen, mark the edge of the front bumper through the three holes in the bumper flare. Remove the front bumper flare. Use an awl to create holes for the screws.



10. Slide three short spring nuts over the holes you made in the front bumper.

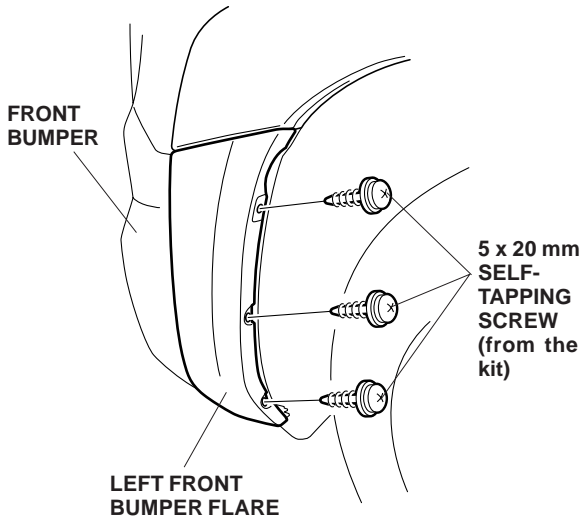


11. Using an alcohol pad, clean the front bumper where the front bumper flare will attach.
12. On the inside of the left front bumper flare, remove 1 to 2 in. (3 to 5 cm) of each adhesive backing. Fold the ends back, and tape them to the front of the bumper flare.



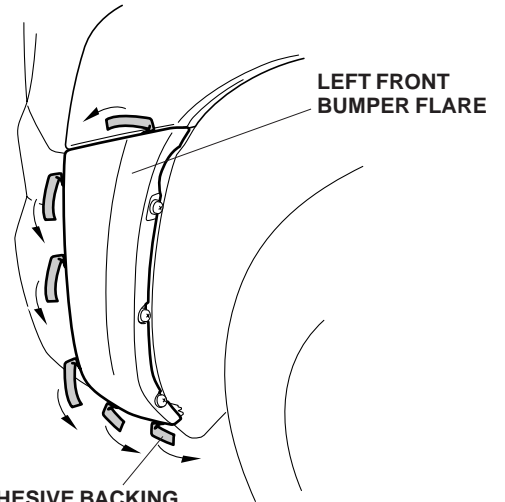
ADHESIVE BACKING
Remove 1 to 2 in. (3 to 5 cm) from the end, and tape it to the front of the bumper flare.

13. Position the left front bumper flare on the front bumper and install the three 5 x 20 mm self-tapping screws (from the kit) through the front bumper. Do not tighten the self-tapping screws yet.



14. Remove the adhesive backings from the left front bumper flare:

- Slowly and carefully peel the adhesive backing from the left front bumper flare from top to bottom.
- After removing all of the adhesive backings, press the left front bumper flare firmly against the front bumper with the palm of your hand for 30 seconds, particularly at the edges. Make sure to apply enough pressure to ensure the adhesive tape sticks to the body.

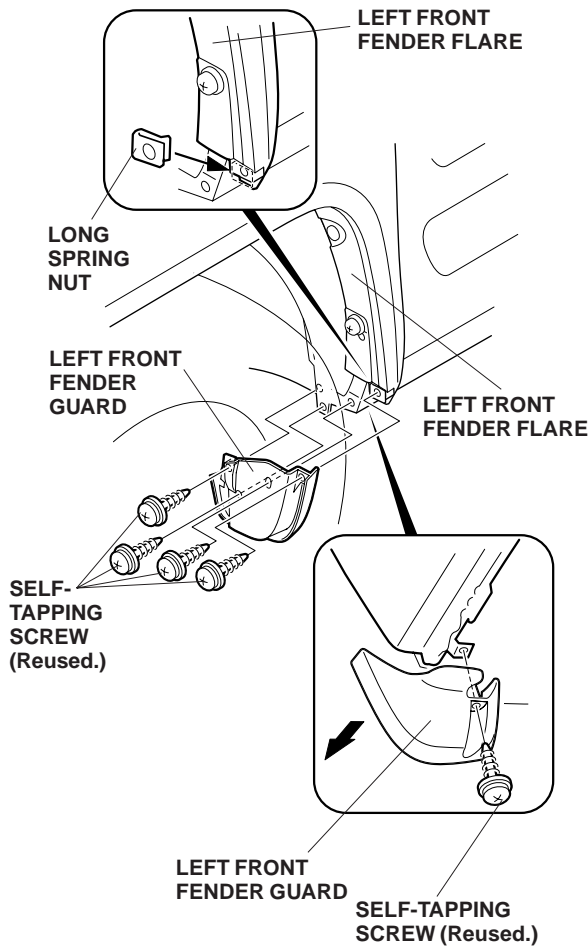


ADHESIVE BACKING
Slowly peel the adhesive backing away.

15. Tighten the three 5 x 20 mm self-tapping screws.

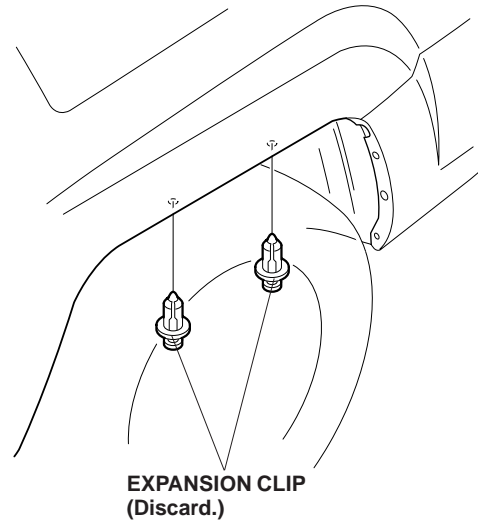
Installing the Front Fender Guard

16. Install one long spring nut on the left front fender flare.
17. Install the left front fender guard on the left front fender flare with the five self-tapping screws removed in step 1.

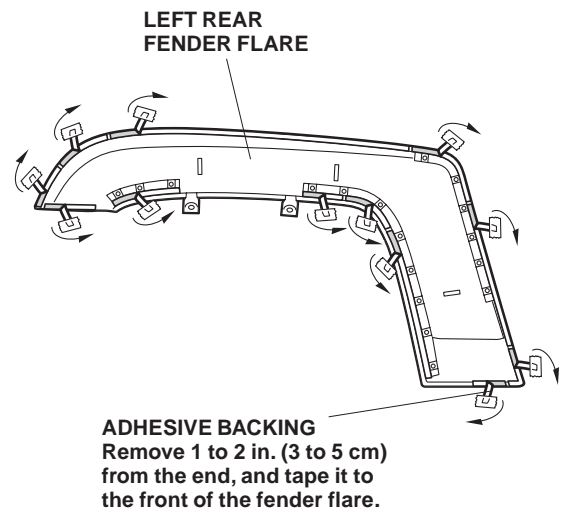


Installing the Rear Fender Flare

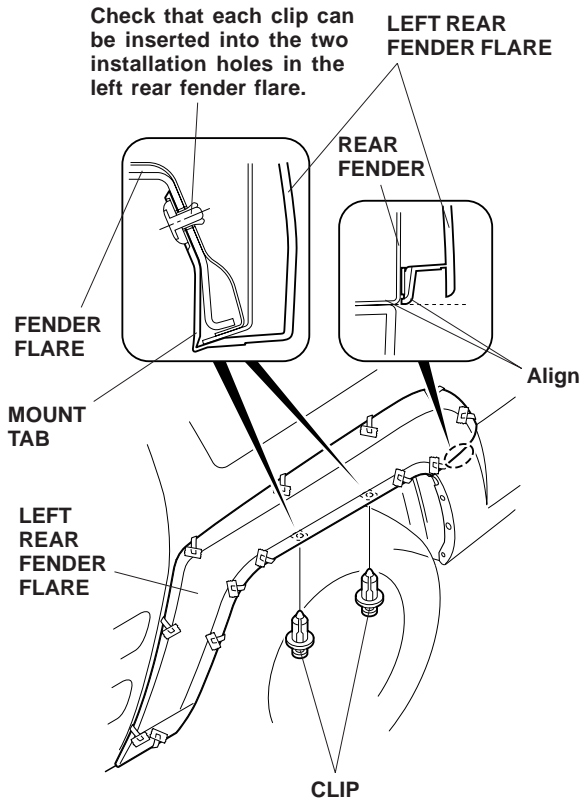
18. Remove the two expansion clips from the rear inner fender.



19. Using an alcohol pad, clean the rear fender where the rear fender flare will attach.
20. On the inside of the left rear fender flare, remove 1 to 2 in. (3 to 5 cm) of each adhesive backing. Fold the ends back, and tape them to the front of the fender flare.

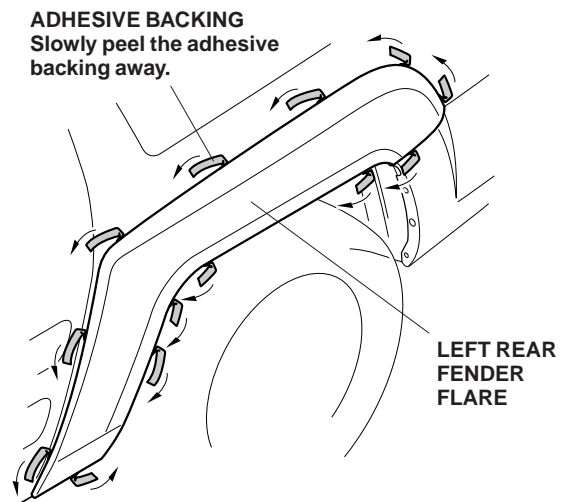


21. Align the ends of the rear fender flare with the rear end of the rear fender, and bend the mounting tabs around the fender flange. Install two clips from the kit through the holes in the fender flare and fender flange.



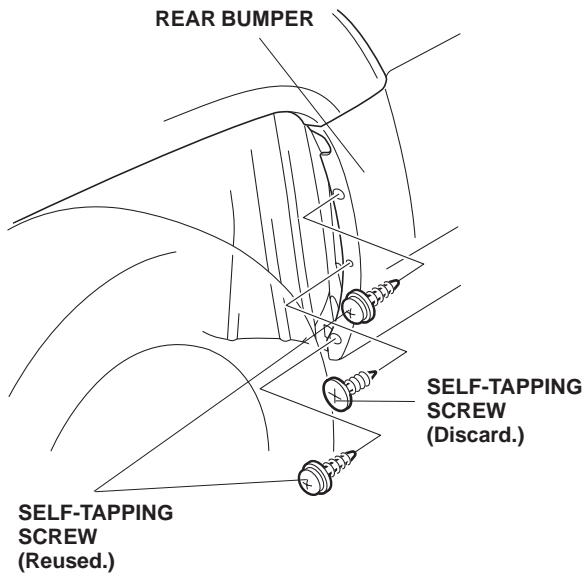
22. Remove the adhesive backings from the fender flare:

- Start with the rear adhesive backing.
- Slowly and carefully peel the adhesive backing from the rear of the fender flare. Before removing the center and remaining adhesive backings, carefully align the bottom front to the body contour.
- After removing all of the adhesive backing, press the fender flare firmly against the fender with the palm of your hand for 30 seconds, particularly at the edges. Make sure to apply enough pressure to ensure the adhesive tape sticks to the body.

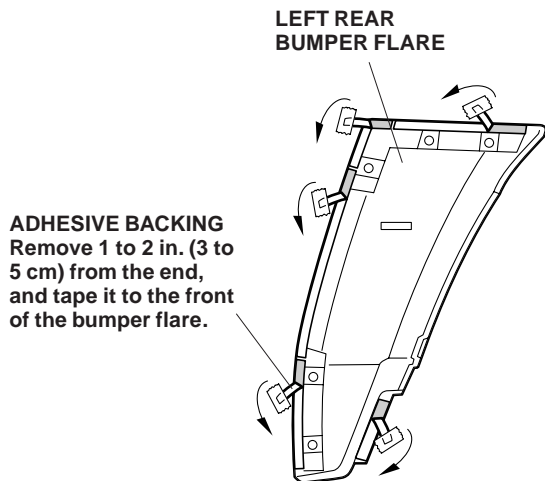


Installing the Rear Bumper Flare and The Rear Fender Guard

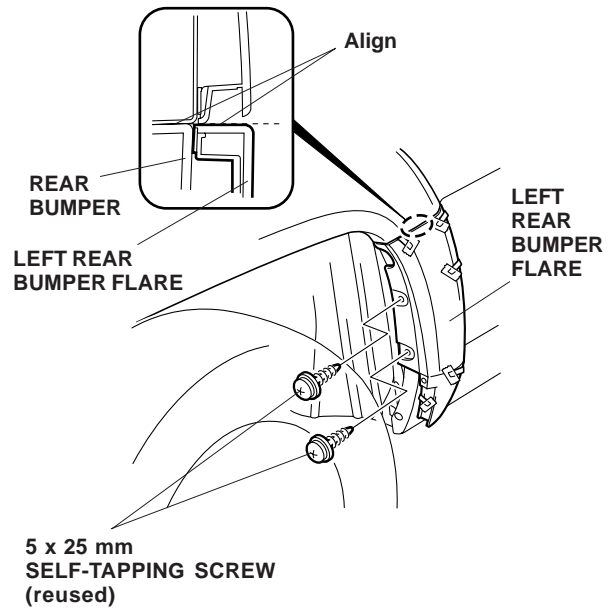
23. Remove the three self-tapping screws from the rear bumper.



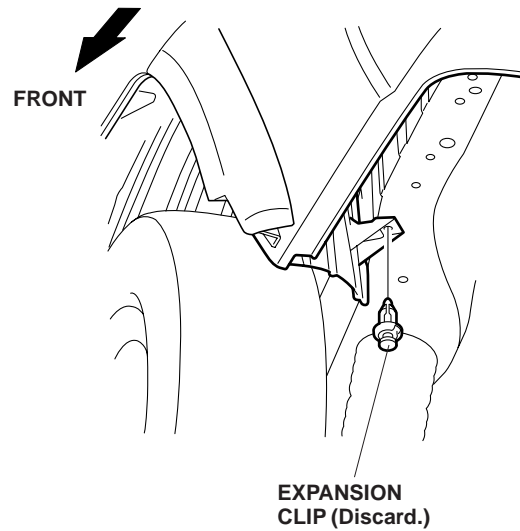
24. Using an alcohol pad, clean the rear bumper where the rear bumper flare will attach.
25. On the inside of the left rear bumper flare, remove 1 to 2 in. (3 to 5 cm) of the adhesive backing. Fold the ends back, and tape them to the front of the bumper flare.



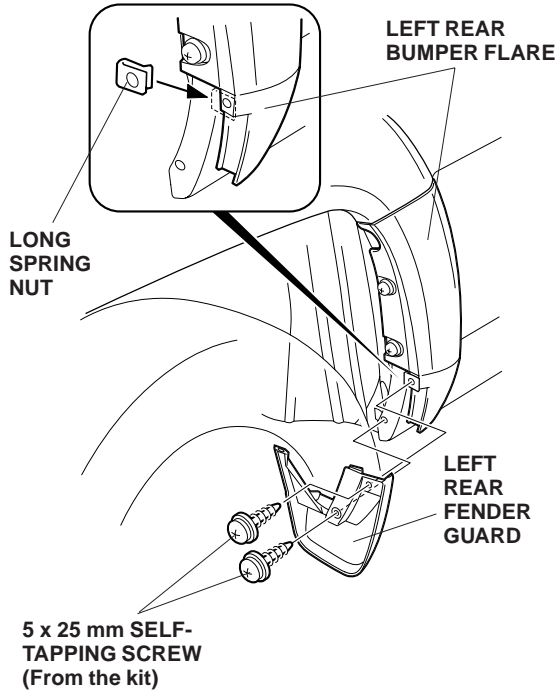
26. Position the left rear bumper flare on the rear bumper and install the two self-tapping screws removed in step 23 through the rear bumper. Do not tighten the self-tapping screws yet.



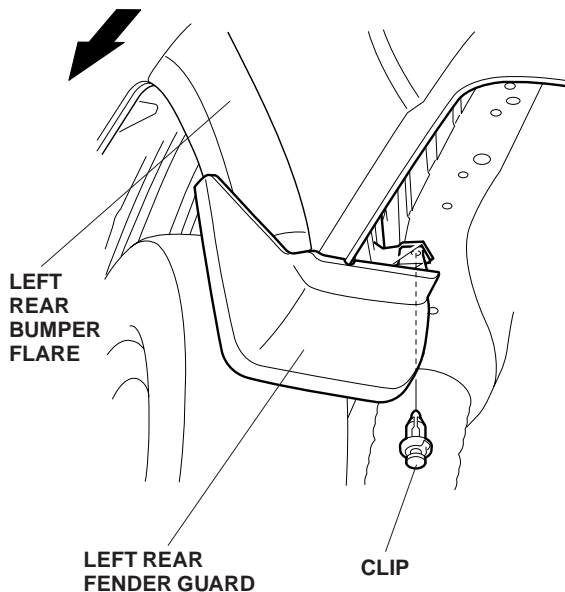
27. Remove the expansion clip from the inner fender.



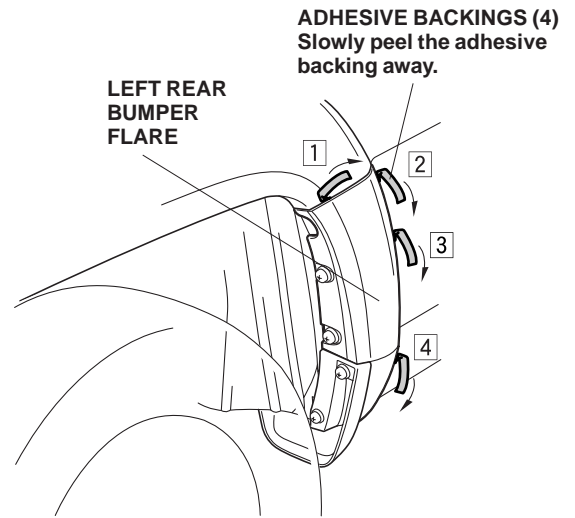
28. Install one long spring nut on the left rear bumper flare.
29. Install the left rear fender guard on the left rear bumper flare with two 5 x 25 mm self-tapping screws (from the kit). Do not tighten the self-tapping screws yet. Check that there is no clearance between the left rear fender guard and left rear bumper flare.



30. Install the left rear fender guard on the inner fender with one clip (from the kit).

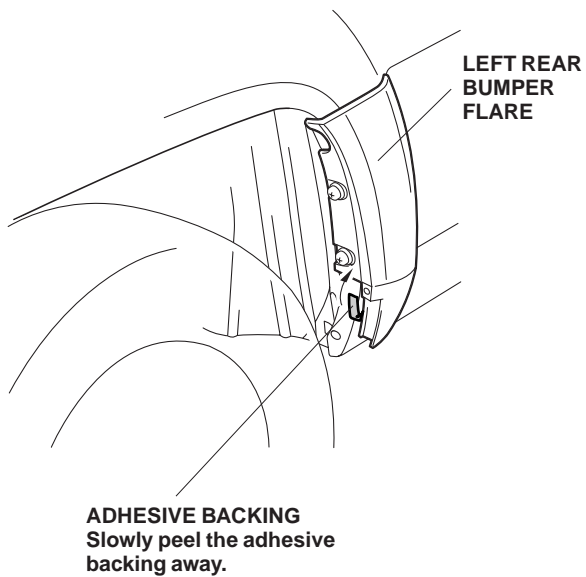


31. Remove the four adhesive backings from the left rear bumper flare in the order of 1, 2, 3 and 4.
 - Slowly and carefully peel the adhesive backing from the left rear bumper flare in the order shown.
 - After removing all of the adhesive backings, press the left rear bumper flare firmly against the rear bumper with the palm of your hand for 30 seconds, particularly at the edges. Make sure to apply enough pressure to ensure the adhesive tape sticks to the body.



32. Remove the left rear fender guard (two self-tapping screws and one clip).

33. Remove one adhesive backing from the left rear bumper flare:
- Slowly and carefully peel the adhesive backing from the left rear bumper flare in the order shown.
 - After removing the adhesive backing, press the left rear bumper flare firmly against the rear bumper with the palm of your hand for 30 seconds, particularly at the edges. Make sure to apply enough pressure to ensure the adhesive tape sticks to the body.



34. Reinstall the left rear fender guard with the two 5 x 25 mm self-tapping screws and one clip.
35. Tighten the four self-tapping screws.