



# INSTALLATION INSTRUCTIONS

Accessory

**AIR DEFLECTOR  
P/N 08P47-S9V-100A**

Application

**2006 PILOT**

Publications No.

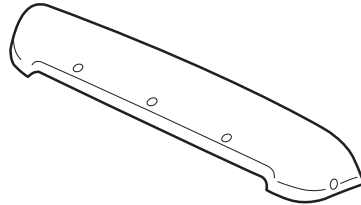
**All 30474**

Issue Date

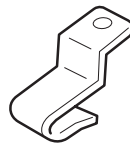
**SEP 2005**

## PARTS LIST

Air deflector



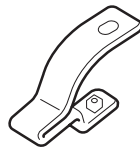
Center bracket



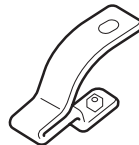
2 Front brackets



Left side bracket



Right side bracket



4 Plastic grommets



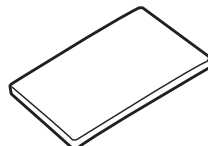
4 Screws, 5 x 15 mm



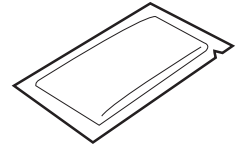
2 Screws, 6 x 1.0 mm



5 Protective tapes



Alcohol pad



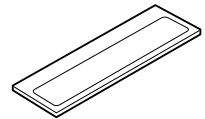
3 Clips



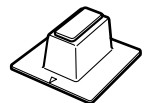
2 Collars



Hood label



Center support



## TOOLS AND SUPPLIES REQUIRED

#2 Phillips screwdriver

Tape measure

Felt-tip pen

Shop towel

Masking tape

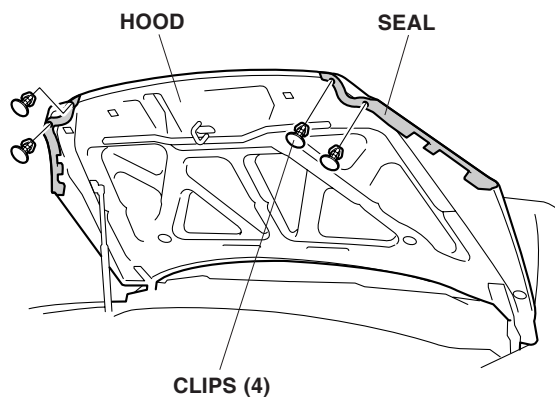
## INSTALLATION

**Customer Information:** The information in this installation instruction is intended for use only by skilled technicians who have the proper tools, equipment, and training to correctly and safely add equipment to your vehicle. These procedures should not be attempted by "do-it-yourselfers."

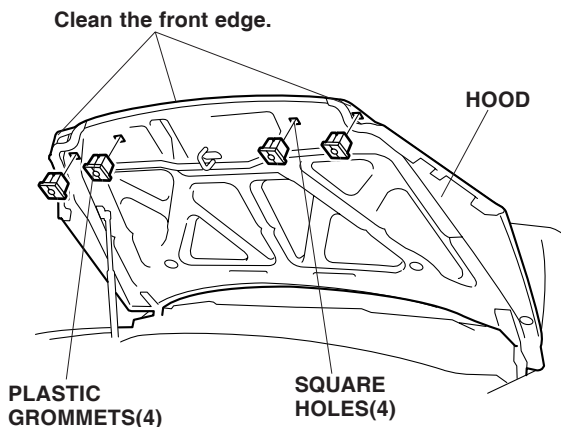
### NOTE:

- Be careful not to damage the body finish when you install the air deflector.
- This air deflector should be installed only when the ambient air temperature is 60°F (15°C) or above.

1. Open the hood. Remove the four clips fastening the seal. Remove the seal in the area shown.

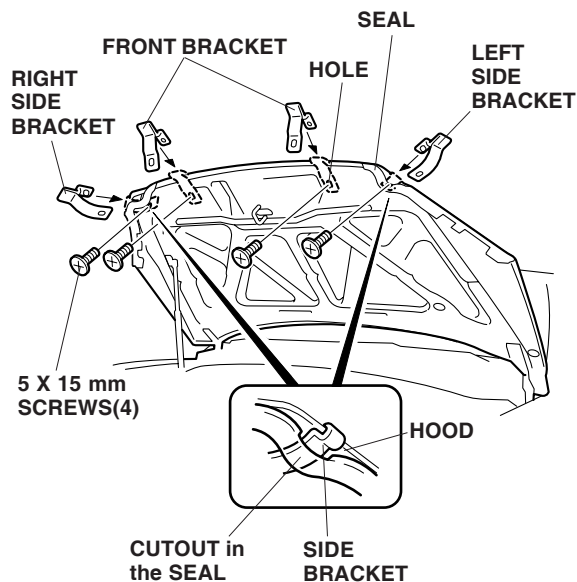


2. Locate the four outer square holes on the inside of the hood. Push a plastic grommet into each of the four outer square holes in the hood.

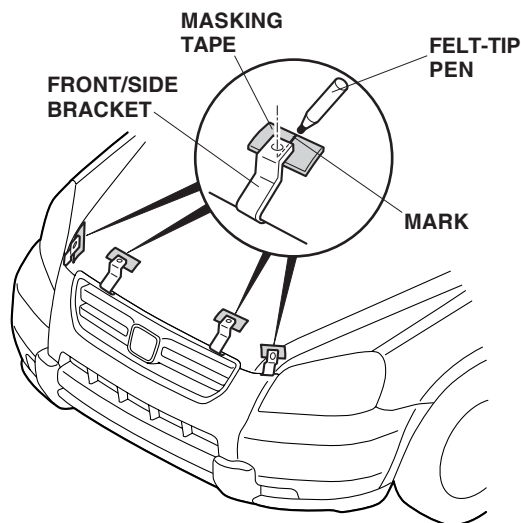


3. Clean the front edge of the hood with one of the alcohol pads included in the kit.

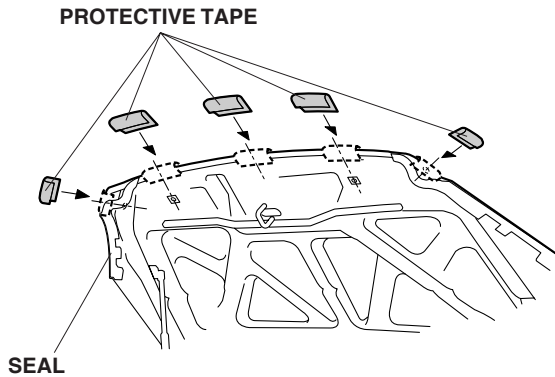
4. Temporarily slide the front brackets over the lip of the hood, and align the hole in each bracket with the hole in the plastic grommets. Install the 5 x 15 mm screw. Insert the front brackets between the seal and hood.



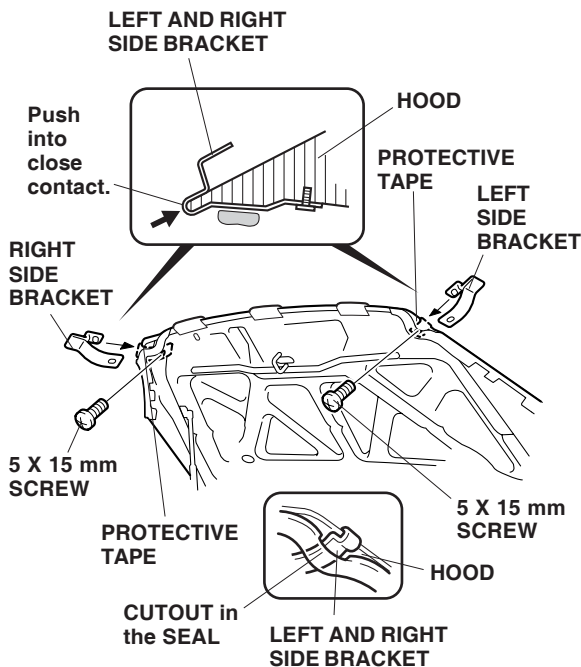
5. Temporarily slide the left and right side brackets over the lip of the hood, and align the hole in each bracket with the hole in the plastic grommet. Install the 5 x 15 mm screw. Insert the left and right side brackets between the cutout in the seal and hood.
6. Attach a piece of masking tape to the hood under each front bracket and left and right side bracket.



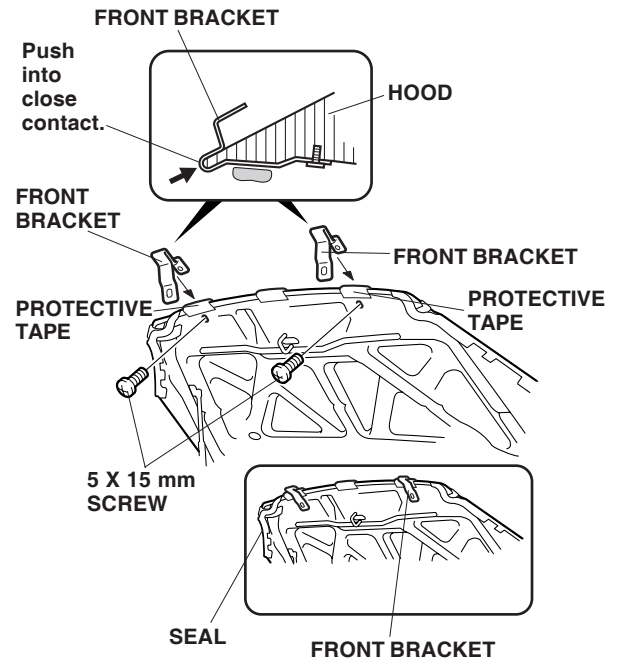
7. Using a felt-tip pen, mark the masking tape where each front bracket and left and right side bracket will rest, then remove the front brackets and left and right side brackets.
8. Attach five protective tapes around the front edge of the hood at each marked location.
  - Attach the protective tapes between the seal and hood.



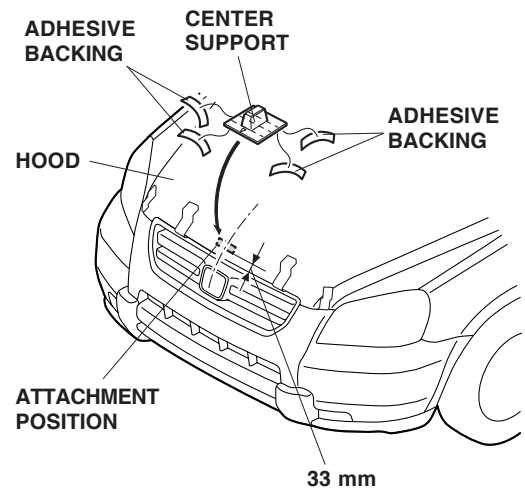
9. Attach the remaining protective tape around the edge of the hood in the center.
10. Reinstall the left and right side brackets on the hood around the protective tapes, and install the 5 x 15 mm screws, do not tighten at this time. Push the side brackets against the hood and tighten the screws.
  - Insert the left and right side brackets between the cutout in the seal and hood.



11. Reinstall the two front brackets over the hood around the protective tapes, and install the 5 x 15 mm screws, do not tighten at this time. Push the front brackets against the hood. Insert the front brackets between the seal and hood.

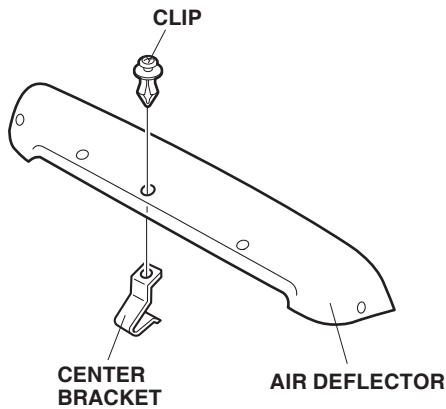


12. Close the hood. Measure and mark the center of the hood.

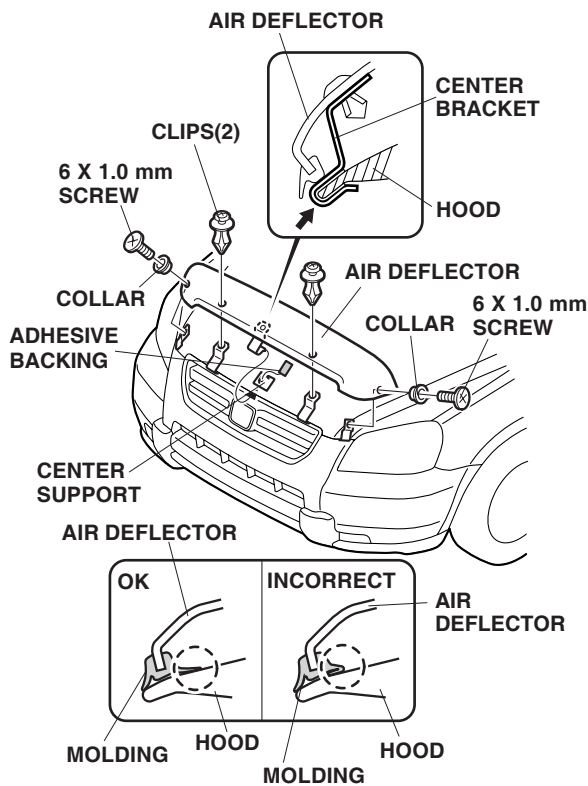


13. Using an alcohol pad, clean the area where the center support will attach.
14. Remove the adhesive backings from the center support and attach it to the hood at the mark you made, the arrow on the center support should point to the front of the vehicle.

15. Attach the center bracket to the air deflector using one clip.

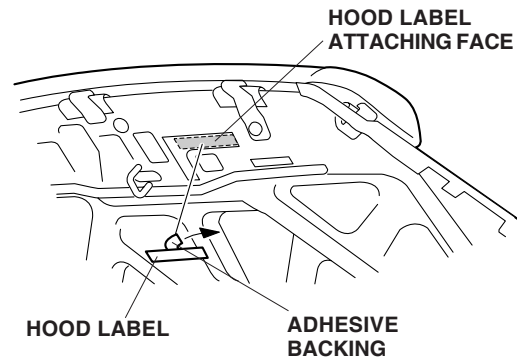


16. Remove the adhesive backing from the center support.



17. Position the air deflector on the hood by sliding the center bracket over the protective tape on the hood, and aligning the holes in the air deflector collar over the four brackets. Install the two screws, two collars, two clips, and then tighten the screws securely.

18. Open the hood. Reinstall the seal.



19. Using an isopropyl alcohol pad thoroughly clean the areas where the hood labels will be attached.
20. Remove the adhesive backing from the hood label and attach it to the hood in the area shown.
- After attaching the label, hold it firmly against the hood with the palm of your hand, particularly at the edges.

NOTE: After the air deflector is installed, tell your customer not to wash the vehicle for 24 hours to give the adhesive tape time to cure.