



# INSTALLATION INSTRUCTIONS

Accessory

TABLE LEGS

Application

2006 ODYSSEY

Publications No.

All 30584

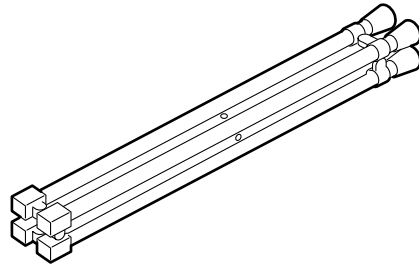
Issue Date

AUG 2005

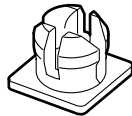
Put this instruction in the glove box with the vehicle owner's manual

## PARTS LIST

Table legs



4 Holders



4 Washer screws  
(Not used)



4 Nuts  
(Not used)



4 Self-tapping screws

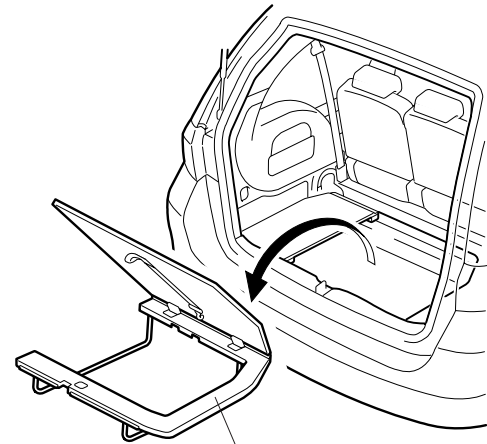


## TOOLS REQUIRED

Phillips screwdriver

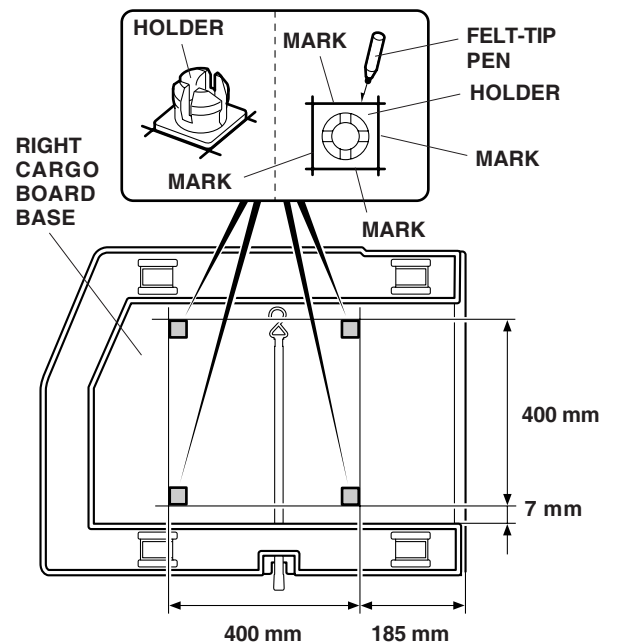
## INSTALLATION

1. Open the tailgate and remove the right cargo board with its base.

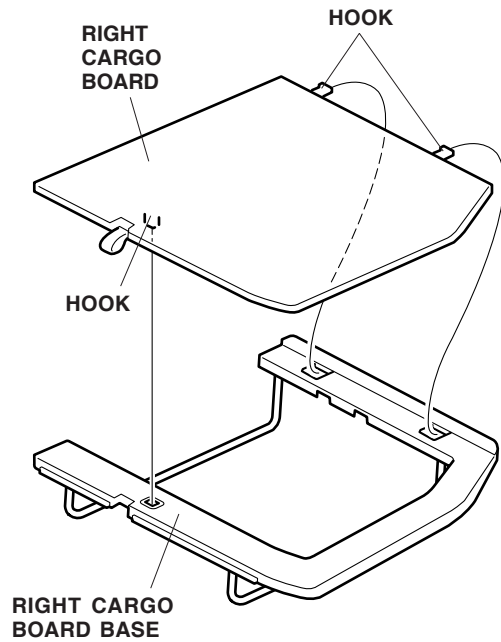


RIGHT CARGO BOARD

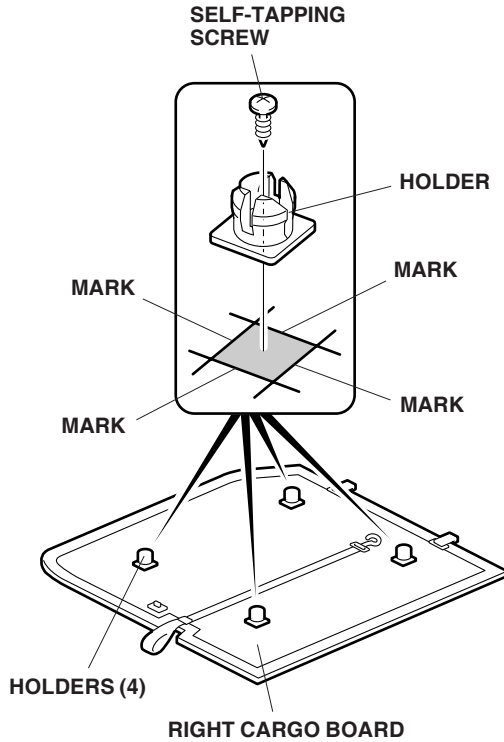
2. Turn the right cargo board and base face down. Position the holders on the right cargo board in the positions of the dimensions shown. Mark along the circumference of each holder using a felt-tip pen.



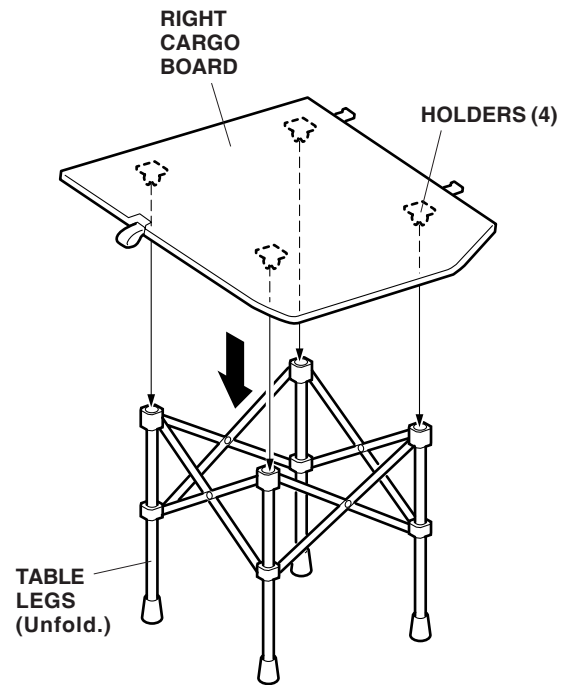
3. Remove the right cargo board from its base (three hooks).



4. Position the four holders on the right cargo board, and install one self-tapping screw for each holder.



5. Unfold the table legs and place the cargo board on the table legs by inserting the holders into the square holes of the table legs. Make sure the table legs are secure in the holders.



#### User's Information

- Be sure to lock the table legs in place.
- Do not stand on the table.
- Do not exceed the weight limit, 22 lbs (10 kg), on the table.
- Hot items should not be placed directly on the table top.