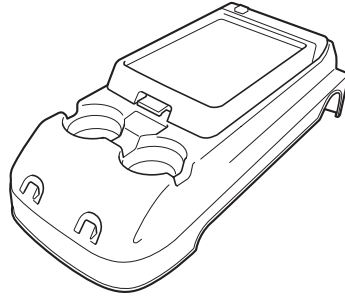
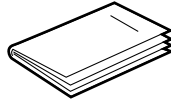


**PARTS LIST**

PlusOne™ seat console

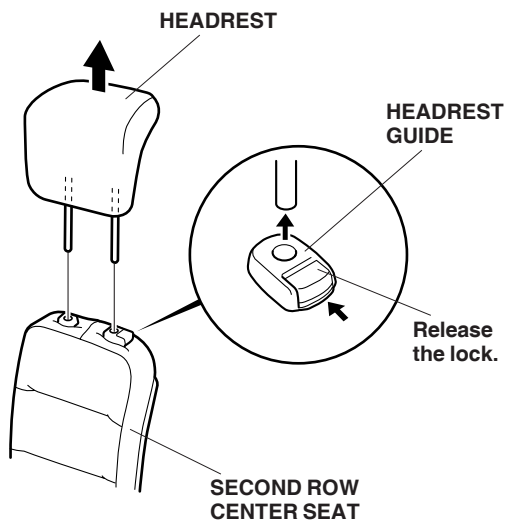


Owner's Manual

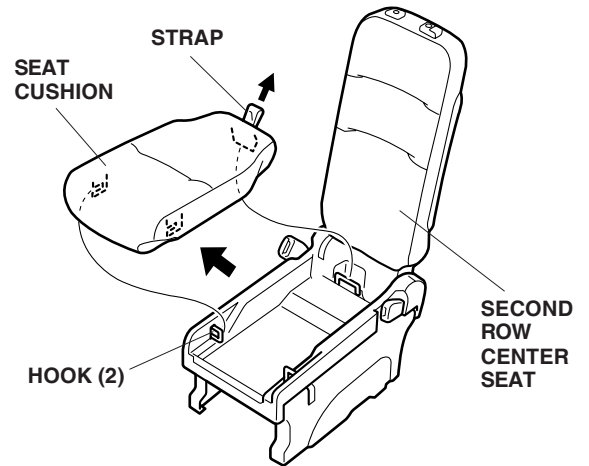
**INSTALLATION**

NOTE: Be extremely careful not to damage the seat back when installing the PlusOne seat console.

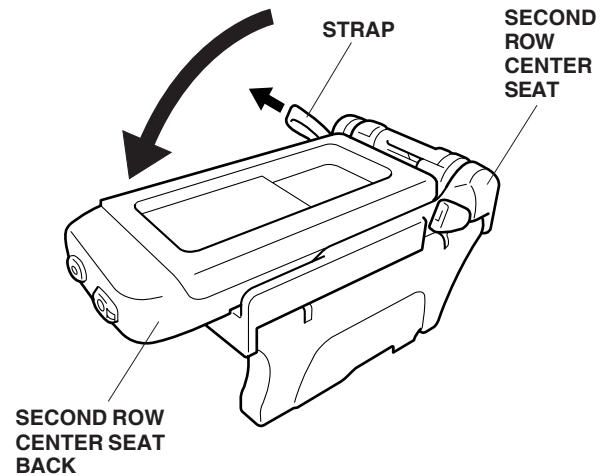
1. Release the lock and remove the headrest from the second row center seat.



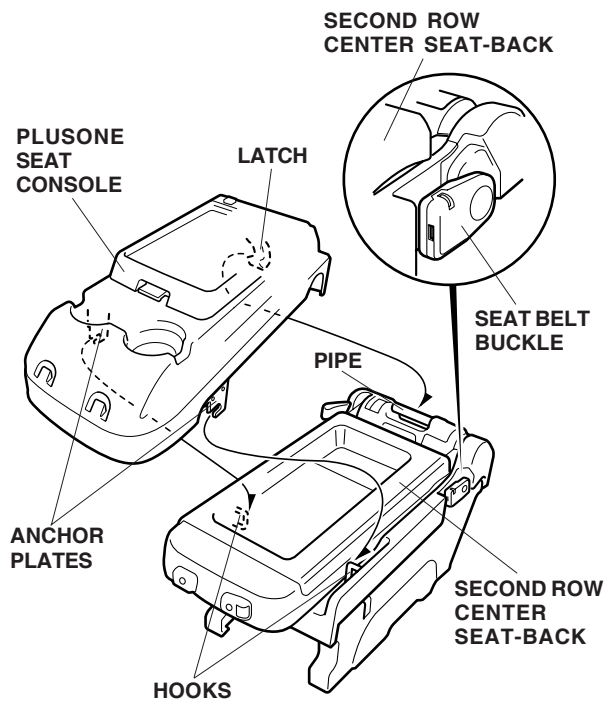
2. Remove the seat cushion from the second row center seat by pulling the strap and lifting to release the two hooks.



3. Pull the strap and tilt the seat-back forward.



4. Push the seat belt buckle all the way down.



5. Position the PlusOne seat console under the armrest of the seat, then hook the two anchor plates to the two hooks, and push down to latch the rear of the PlusOne seat console.
6. Put the PlusOne seat console owner's manual in the glove box.