



INSTALLATION INSTRUCTIONS

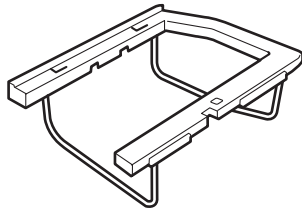
Accessory
CARGO BOARD

Application
2006 ODYSSEY

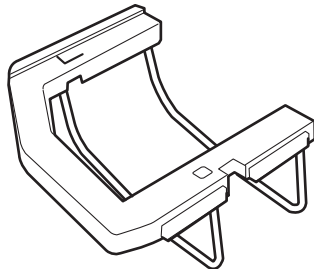
Publications No.
All 30567
Issue Date
AUG 2005

PARTS LIST

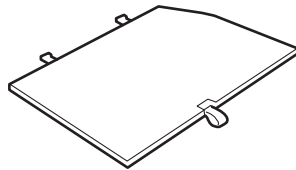
Right cargo board base



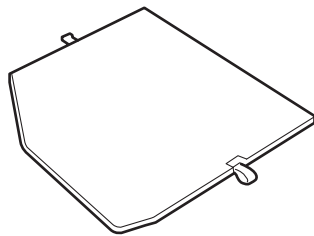
Left cargo board base



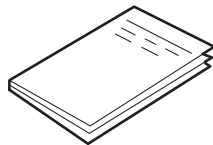
Right cargo board



Left cargo board

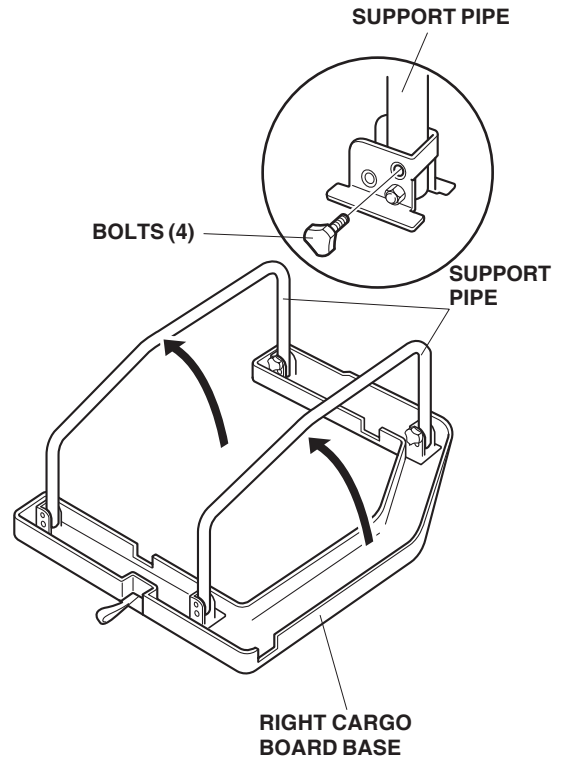


Owner's Manual



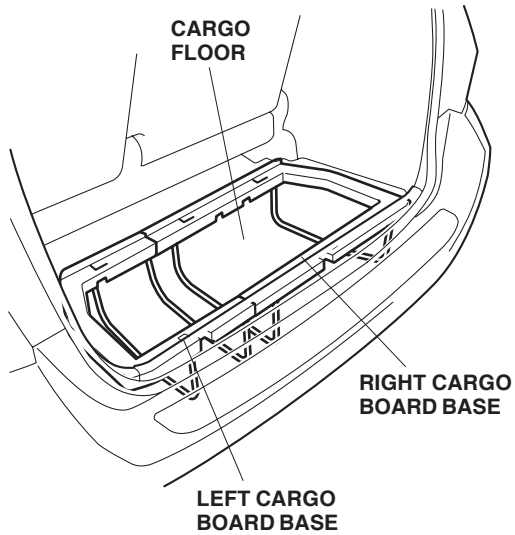
INSTALLATION

1. Remove the four bolts and raise the support pipes on the right cargo board base. Reinstall the four bolts. Make sure the support pipes will not fold up.

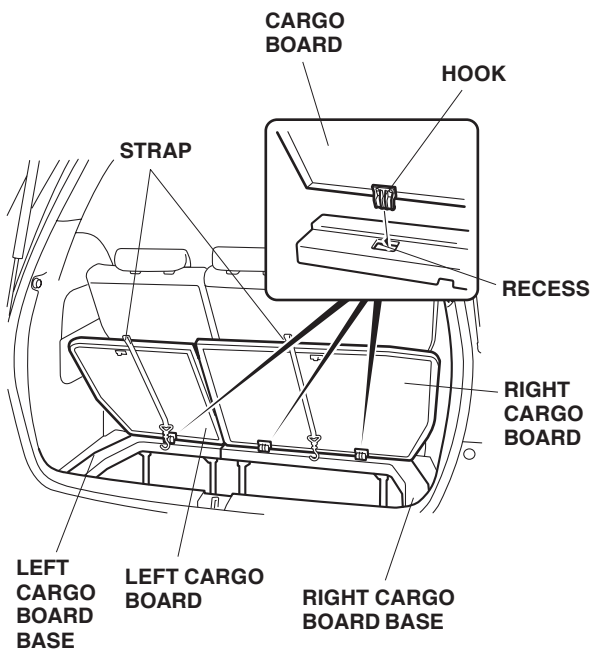


2. Repeat step 1 on the left cargo board base.

3. Install the right cargo board base into the opening in the cargo floor on the right side of the vehicle. Install the left cargo board base into the opening in the cargo floor on the left side of the vehicle.



4. Insert the hooks from the left cargo board into the recesses in the left cargo board base. Insert the hooks from the right cargo board into the recesses in the right cargo board base. Lower each cargo board while holding the strap.



5. Put the cargo board Owner's Manual in the glove box.