



# INSTALLATION INSTRUCTIONS

Accessory

**CARGO BAG**  
P/N 08U10-S3Y-100

Application

**2006 INSIGHT**

Publications No.

**All 30946**

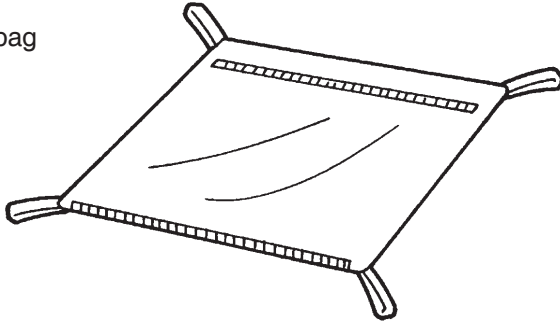
Issue Date

**SEP 2005**

**Put this information in the glove box with the vehicle owner's manual.**

## PARTS LIST

Cargo bag

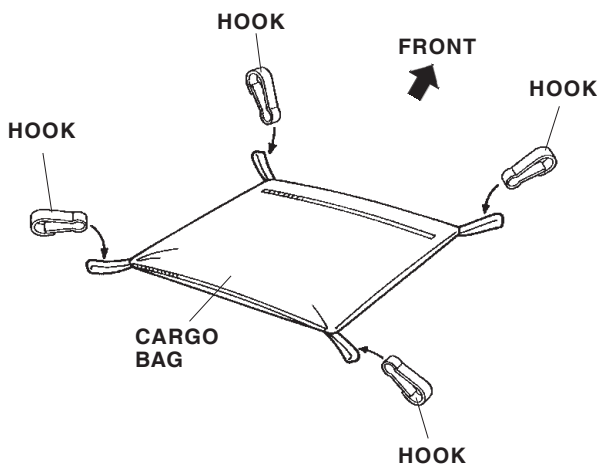


4 Hooks

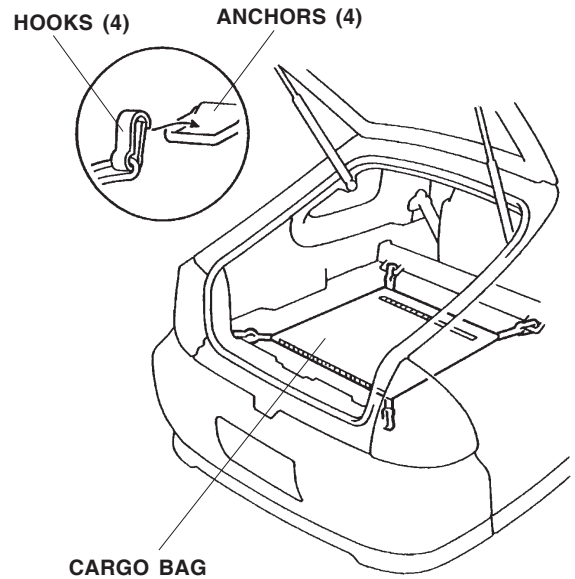


## INSTALLATION

1. Attach the four hooks onto the cargo bag.



2. Attach the hooks to the anchors in the trunk.



### NOTE:

- Do not allow the weight of the cargo to exceed 22 lb (10 kg).
- Do not store large or fragile objects in the bag.
- Do not store objects with sharp edges or corners, as they may damage the cargo bag or the vehicle. Wrap such objects in paper or a blanket so they will not contact the bag directly.