

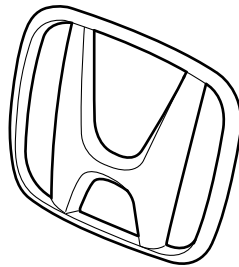


INSTALLATION INSTRUCTIONS

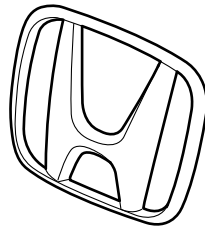
Accessory GOLD EMBLEM KIT P/N 08F20-SDA-100F	Application 2006 ACCORD 4-DOOR	Publications No. All 30267
		Issue Date AUG 2005

PARTS LIST

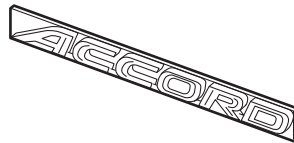
Front gold "H" emblem



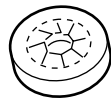
Rear gold "H" emblem



Rear gold "ACCORD" emblem



2 Push nuts



TOOLS AND SUPPLIES REQUIRED

- Phillips screwdriver
- Flat-tip screwdriver
- Ratchet
- 10 mm Socket
- Diagonal cutters
- Long nose pliers
- Isopropyl alcohol
- Shop towel
- String
- Masking tape
- Blanket

INSTALLATION

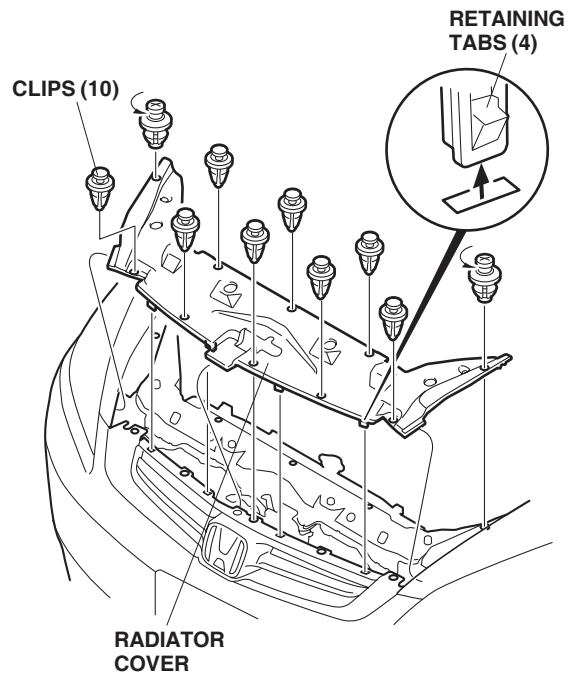
Customer Information: The information in this installation instruction is intended for use only by skilled technicians who have the proper tools, equipment, and training to correctly and safely add equipment to your vehicle. These procedures should not be attempted by "do-it-yourselfers."

NOTE:

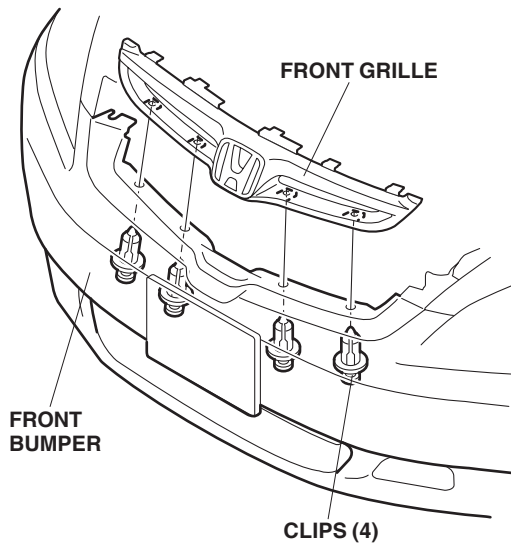
- Be careful not to damage the body paint finish when removing and installing the emblems.
- This emblem kit should be installed only if the ambient air temperature is 60°F (15°C) or above.
- To allow the adhesive to "cure," do not wash the vehicle for 24 hours.

Installing the Front Gold "H" Emblem

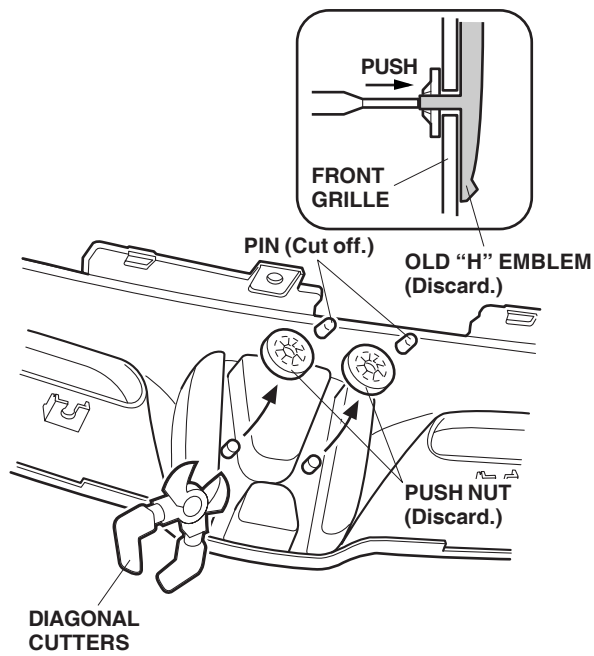
1. Open the hood. Remove the ten clips that fasten the radiator cover, and remove the cover by releasing the four retaining tabs.



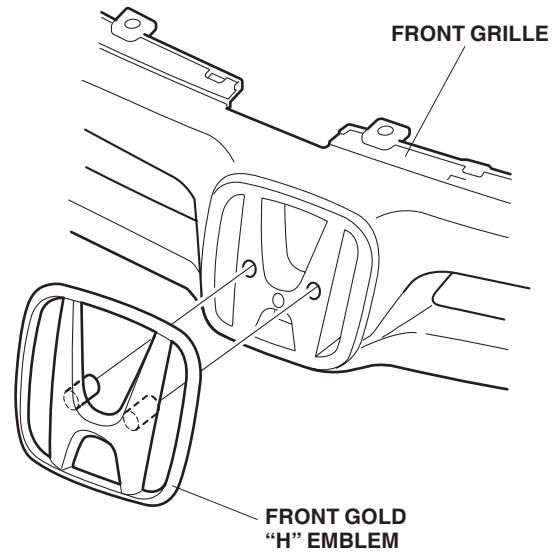
- Remove the four clips that fasten the front grille to the front bumper, then remove the front grille. Do not drop the clips.



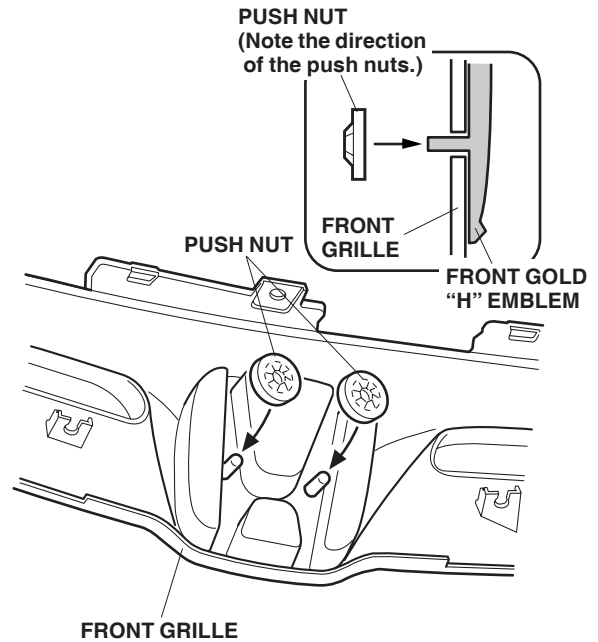
- Inside the front grille, cut off the two pins, and remove the push nuts and the old "H" emblem.



- Position the gold "H" emblem on the grille by aligning its pins with the holes in the grille.



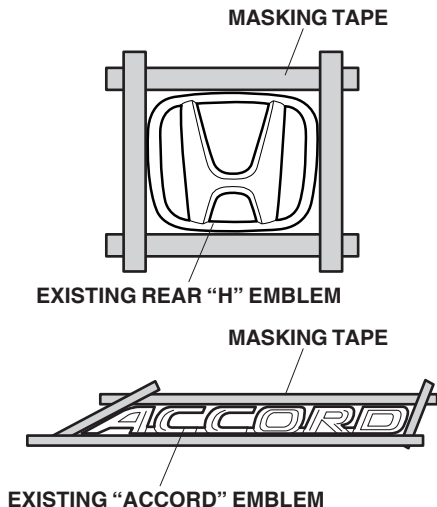
- Slide the push nuts onto the pins. Note the direction of the push nuts.



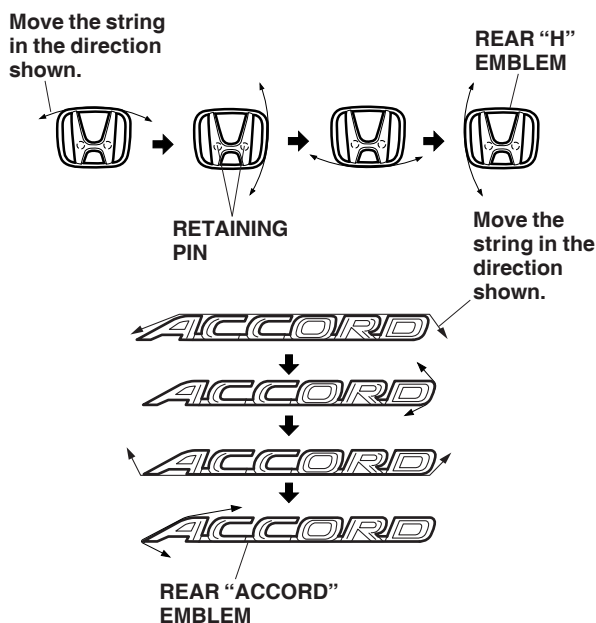
- Reinstall the front grille. Install the two middle clips first, then the outer clips. Check that the clips are installed securely.

Installing the Rear Gold "H" and "ACCORD" Emblems

7. Mark the locations of the existing "H" and "ACCORD" emblems by applying masking tape along the edges as shown.

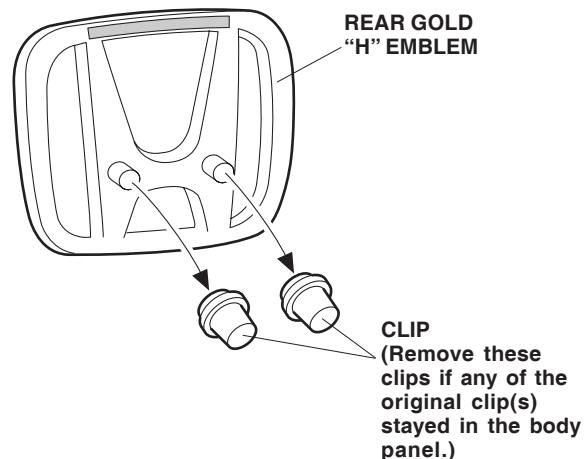


8. Remove the "H" and "ACCORD" emblems from the body by moving the string back and forth, and working it between the emblems and body.

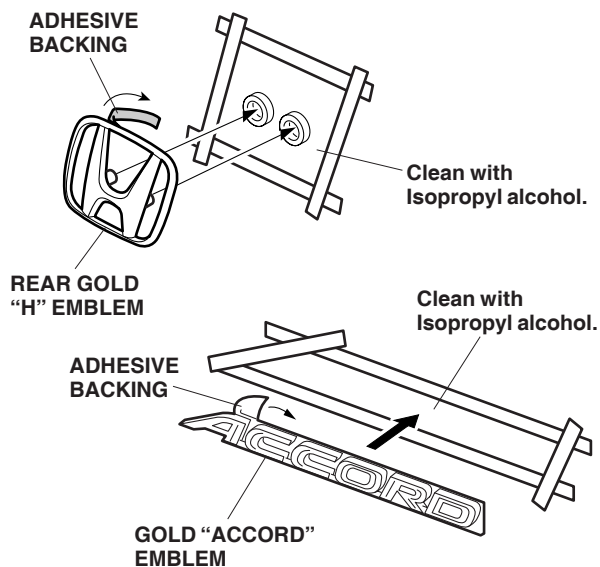


9. Remove the emblems.

10. If any clip(s) remained in the body panel, make sure to remove and discard the same clip(s) on the new gold "H" emblem.



11. Using isopropyl alcohol on a shop towel, clean the areas where the gold "H" and "ACCORD" emblems will attach.
12. Remove the adhesive backing from the "H" and "ACCORD" emblems, and attach them to the body. After attaching, press the emblems firmly against the body with the palm of your hand for 30 seconds.



13. Remove the masking tape.