



INSTALLATION INSTRUCTIONS

Accessory

CARGO ORGANIZER
P/N 08U20-S9V-100

Application

2006 ELEMENT

Publications No.

All 31041

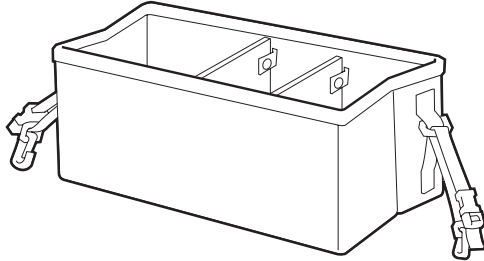
Issue Date

OCT 2005

Put this instruction in the glove box with the vehicle owner's manual.

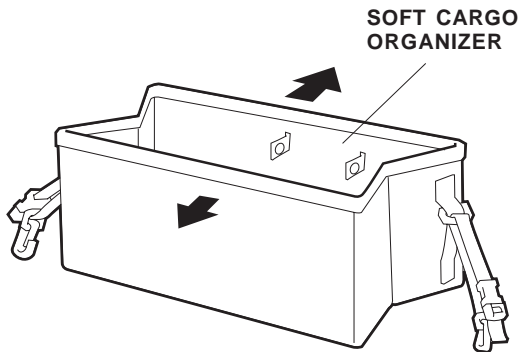
PARTS LIST

Soft cargo organizer

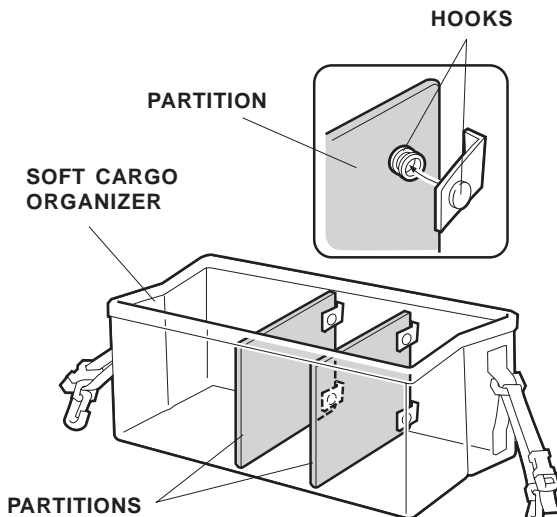


INSTALLATION

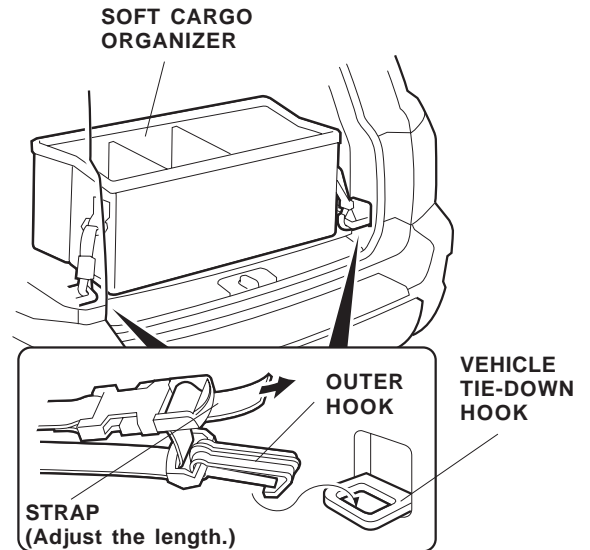
1. Open the soft cargo organizer.



2. Attach the two partitions to the soft cargo organizer by connecting the inner hooks.



3. Place the organizer in the cargo area of the vehicle, and attach the outer hooks of the organizer to the vehicle tie-down hooks.



4. Adjust the length of the strap as needed to secure the organizer to the tie-down hooks.

NOTE: Before storing articles that have sharp edges or corners, wrap them in paper or a blanket so their sharp edges or corners will not contact the soft cargo organizer.