



# INSTALLATION INSTRUCTIONS

Accessory

ROCKER PANEL TRIM  
P/N 08P05-SCV-100

Application

2006 ELEMENT

Publications No.

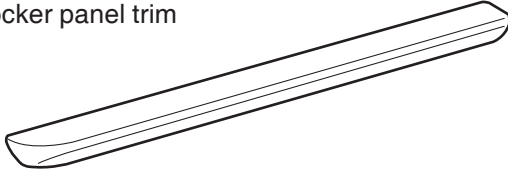
All 31086

Issue Date

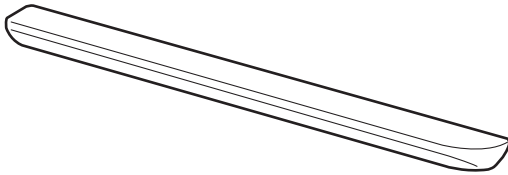
OCT 2005

## PARTS LIST

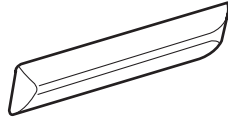
Left front rocker panel trim



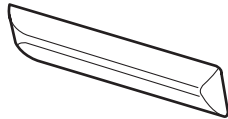
Right front rocker panel trim



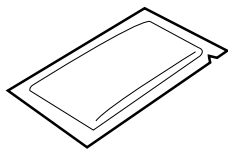
Left rear rocker panel trim



Right rear rocker panel trim



Alcohol pad



## TOOLS AND SUPPLIES REQUIRED

Tape measure

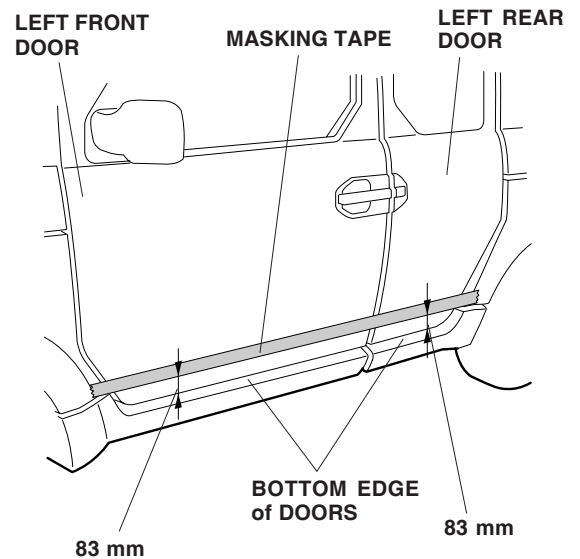
Masking tape

Felt-tip pen

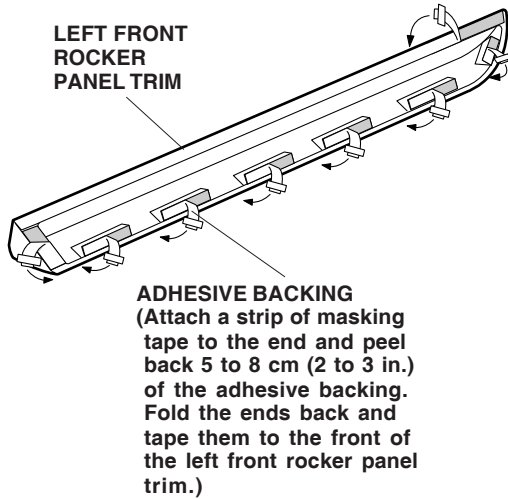
## INSTALLATION

### NOTE:

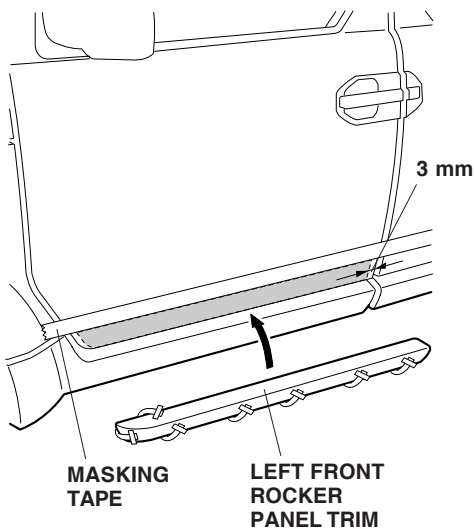
- Be careful not to damage the body paint finish.
  - Install this rocker panel trim kit only when the ambient air temperature is 60°F (15°C) or above.
  - To allow the adhesive to cure, do not wash the vehicle for 24 hours.
1. Using a tape measure and a felt-tip pen, measure the left front and left rear doors as shown. Attach masking tape to the doors continuously as indicated by the marks.



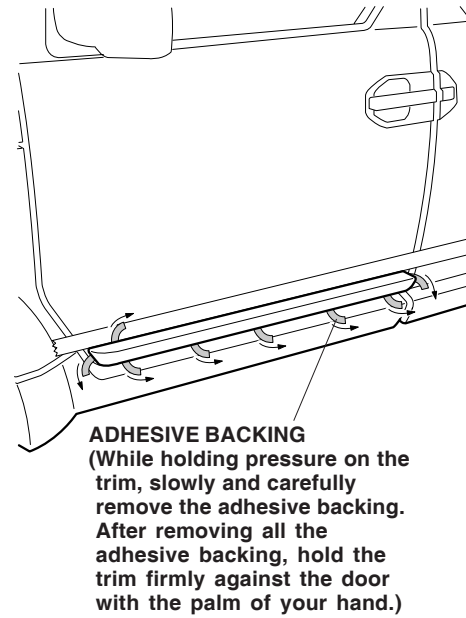
- Using the alcohol pad, clean the areas where the left front rocker panel trim will attach.



- Attach a strip of masking tape to the end of each adhesive backing, and peel back 5 to 8 cm (2 to 3 in.) of the adhesive backing. Fold the ends back, and tape them to the front of the left front rocker panel trim.
- Position the left front rocker panel trim on the left front door, and align its upper edge with the bottom edge of the masking tape attached in step 1. Align the rear edge of the left front rocker panel trim to a position 3 mm from the rear edge of the left front door.

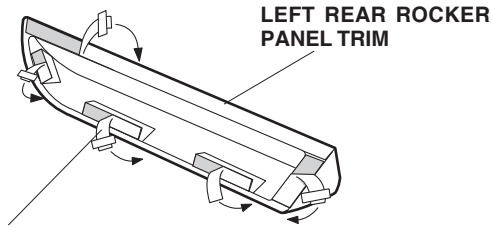


- While applying light pressure on the trim against the body, carefully remove the adhesive backing strips from the left front rocker panel trim.



- After installing the trim, use the palm of your hand to hold pressure against the trim for 30 seconds.
- Repeat steps 1 thru 6 to install the right front rocker panel trim.

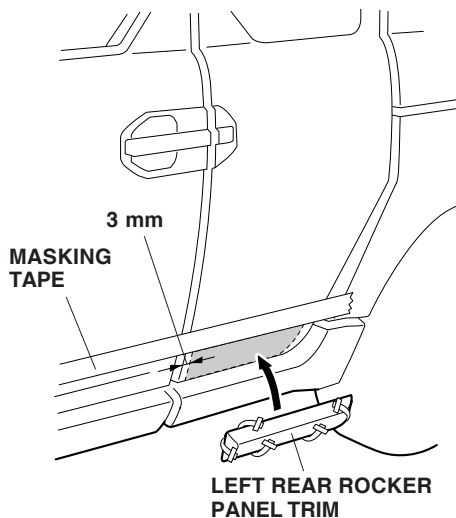
8. Using the alcohol pad, clean the areas where the left rear rocker panel trim will attach.



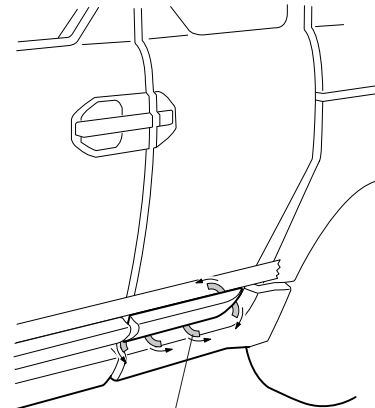
**ADHESIVE BACKING**

Attach a strip of masking tape to the end and peel back 5 to 8 cm (2 to 3 in.) of the adhesive backing. Fold the ends back, and tape them to the front of the left rear rocker panel trim.

9. Attach a strip of masking tape to the end of each adhesive backing, and peel back 5 to 8 cm (2 to 3 in.) of the adhesive backing. Fold the ends back, and tape them to the front of the left rear rocker panel trim.
10. Position the left rear rocker panel trim on the left rear door, and align its upper edge with the bottom edge of the masking tape attached in step 1. Align the front edge of the left rear rocker panel trim to a position 3 mm from the front edge of the left rear door.



11. While applying light pressure on the trim against the body, carefully remove the adhesive backing from the left rear rocker panel trim.



**ADHESIVE BACKING**

(While holding pressure on the trim, carefully and slowly remove the adhesive backing. After removing all adhesive backing strips, hold the trim firmly against the left rear door with the palm of your hand.)

12. After installing the trim, use the palm of your hand to hold pressure against the trim for 30 seconds.
13. Repeat steps 8 thru 12 to install the right rear rocker panel trim.