



# INSTALLATION INSTRUCTIONS

Accessory

HONDA MUSIC LINK  
(FOR I-POD®)

Application

2006 ELEMENT

Publications No.

All 31178-32368

Issue Date

APR 2006

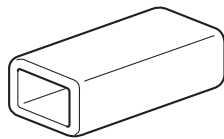
## PARTS LIST

Attachment Kit (sold separately)  
P/N 08A28-1H1-800

4 Cushion tapes



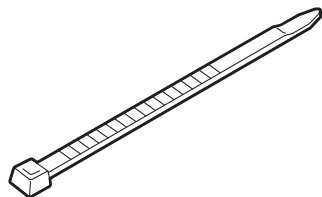
Holder cushion



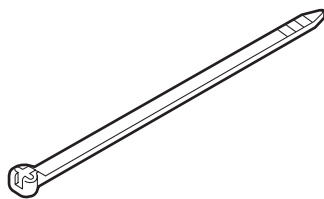
Grommet



8 Wire ties

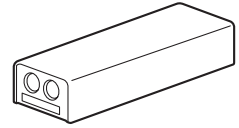


2 Long wire ties

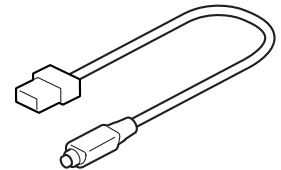


Music Link Adapter Kit (sold separately)  
P/N 08A28-1H1-100

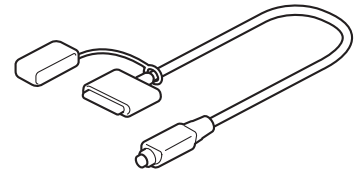
Music Link adapter unit



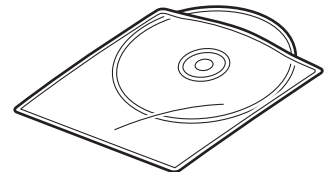
Bus cable



Music Link harness



CD-ROM

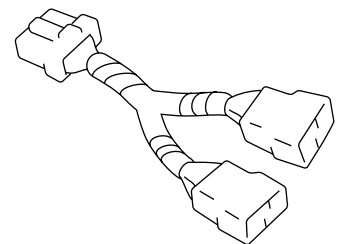


Quick reference guide



Bus Cable 2 Port (sold separately)  
P/N 08A31-0F1-000

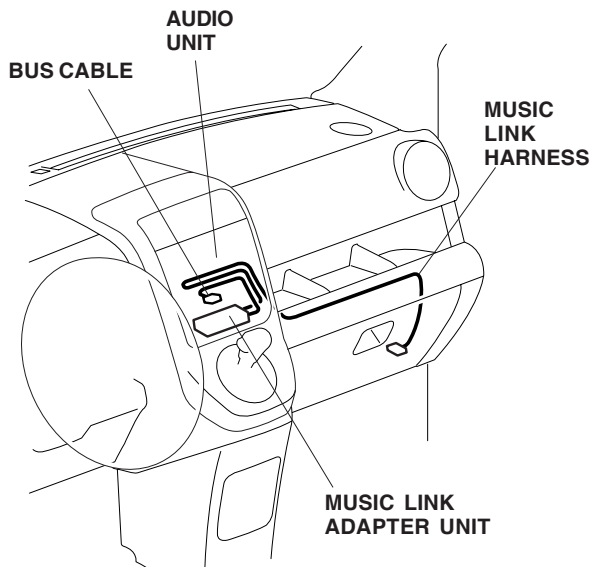
Bus cable 2 port



## TOOLS AND SUPPLIES REQUIRED

#2 Phillips screwdriver  
Flat-tip screwdriver  
Diagonal cutters  
Scissors  
Ratchet  
10 mm Socket  
10 mm Combination wrenches  
Drill  
Drill bit (3 mm)  
19 mm Hole saw (3/4")  
Shop towel  
Utility knife  
Electrical tape  
Pushpin  
Eye protection  
Isopropyl alcohol  
Felt-tip pen

## Illustration of the Music Link System Installed on the Vehicle

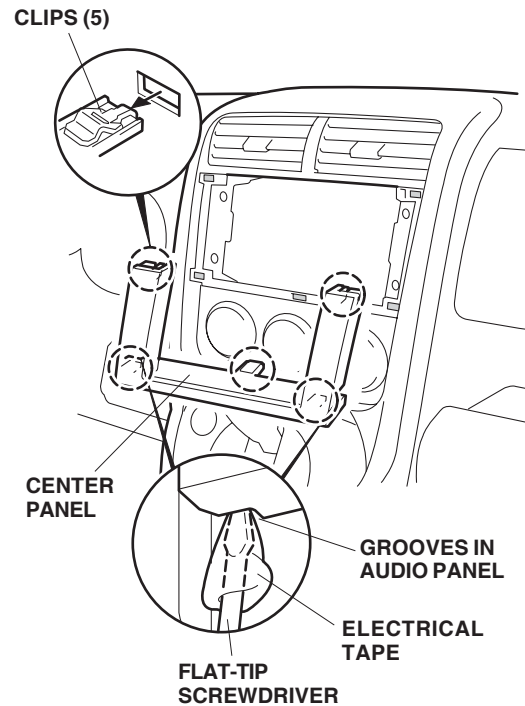


## INSTALLATION

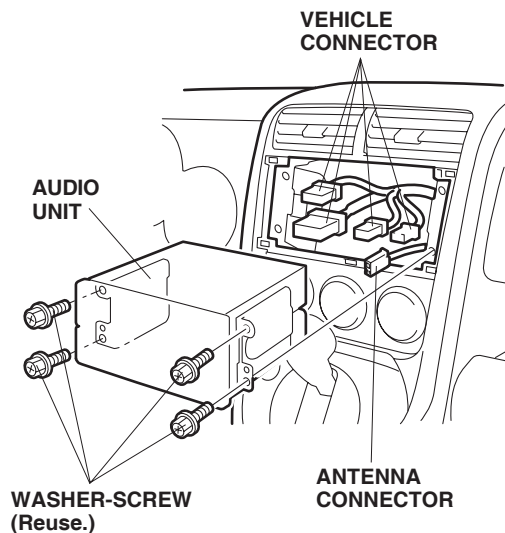
**Customer Information:** The information in this installation instruction is intended for use only by skilled technicians who have the proper tools, equipment, and training to correctly and safely add equipment to your vehicle. These procedures should not be attempted by "do-it-yourselfers."

1. Make sure you have the anti-theft code for the radio, then write down the frequencies for the preset buttons.
2. Disconnect the negative cable from the battery.

3. Wrap the tip of the flat-tip screwdriver with electrical tape, and insert it into the grooves in the audio panel. Pull the audio panel out toward you to release the five clips, and remove the audio panel. Take care not to damage the clips.

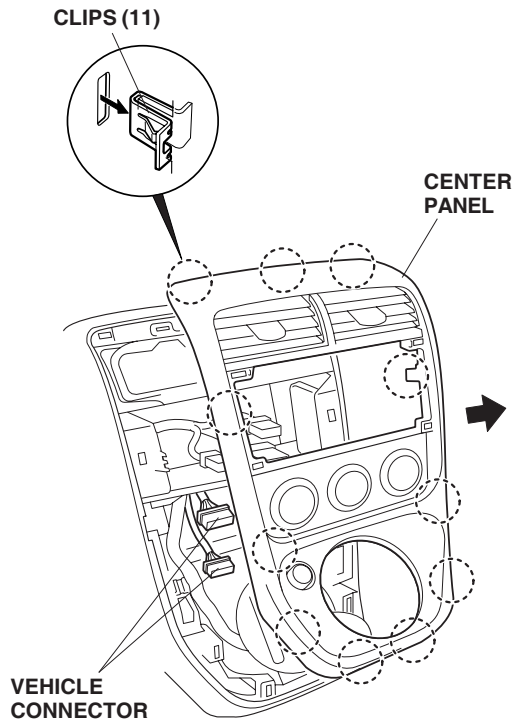


4. Remove the four washer-screws, and pull out the audio unit.

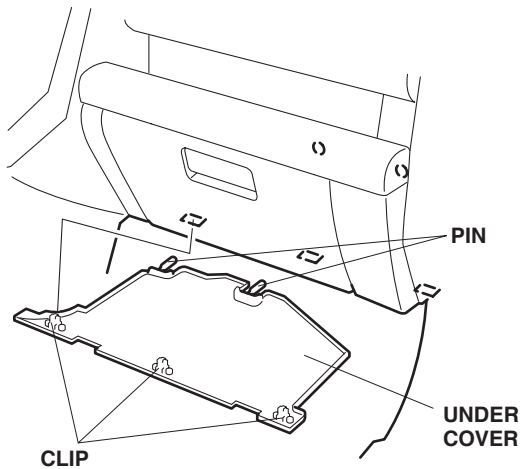


5. Disconnect the four vehicle connectors and the antenna connector, then remove the audio unit.

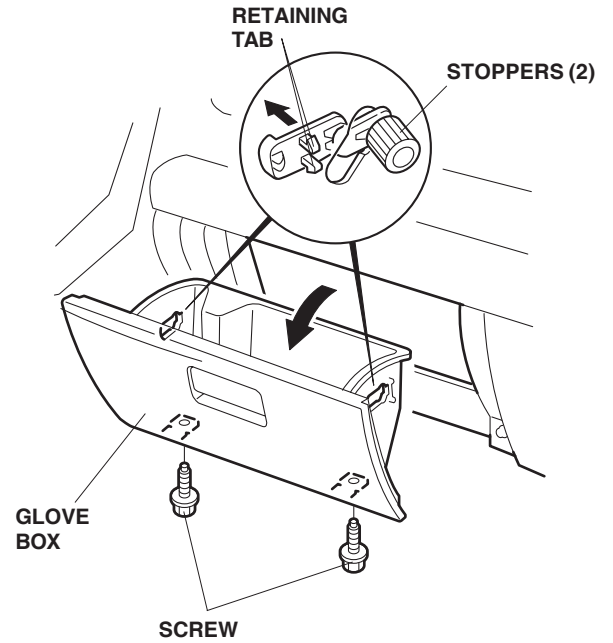
6. Remove the center panel (release the eleven clips, and unplug the vehicle connectors).



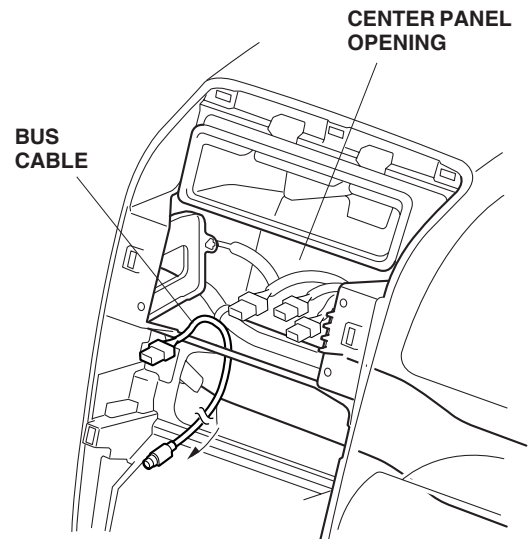
7. Remove the passenger's lower dashboard cover (disengage the three clips, and disconnect the two pins).



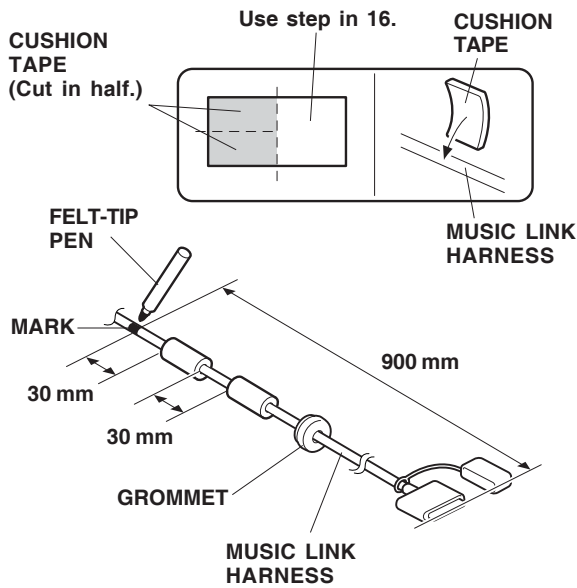
8. Open the glove box, and remove the two stoppers by releasing the two retaining tabs for each stopper. Remove the two screws that fasten the glove box, then remove the glove box.



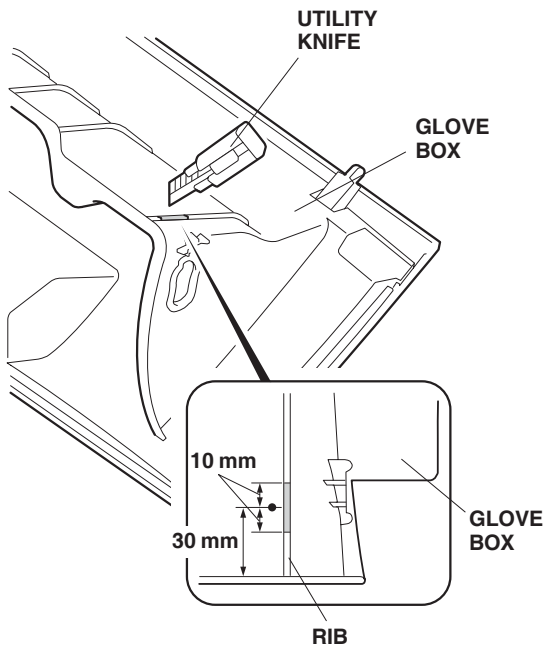
9. At the center panel opening, route the bus cable as shown.



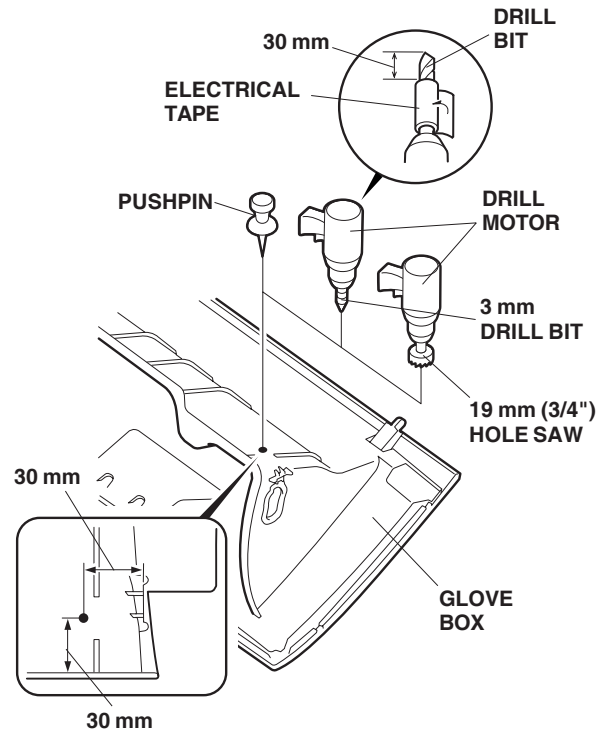
- Using a felt-tip pen, mark the music link harness at the location shown.



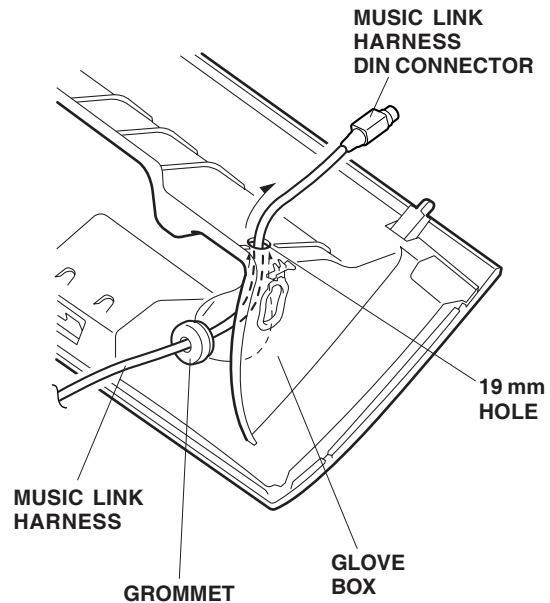
- Install the grommet through the Music Link harness.
- Cut one cushion tape into 3 pieces. Wrap the two smaller pieces of cushion tape to the Music Link harness.
- Cut the rib of the glove box as shown. After cutting the rib, thoroughly remove any burrs.



- To prevent damage, wrap electrical tape around the drill bit at a point about 30 mm away from the tip. While wearing eye protection, drill a 19 mm (3/4") hole through the marked location. Remove any burrs from the drilled hole.

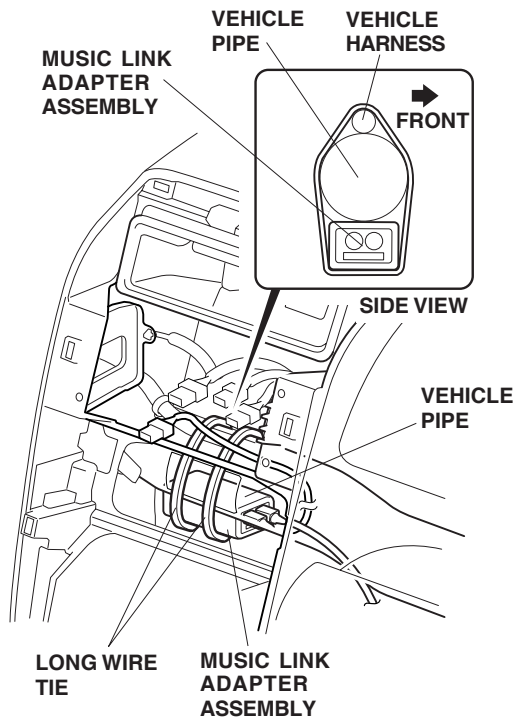


- Route the Music Link harness DIN connector into the 19 mm hole in the direction shown, and install the grommet to the 19 mm hole.



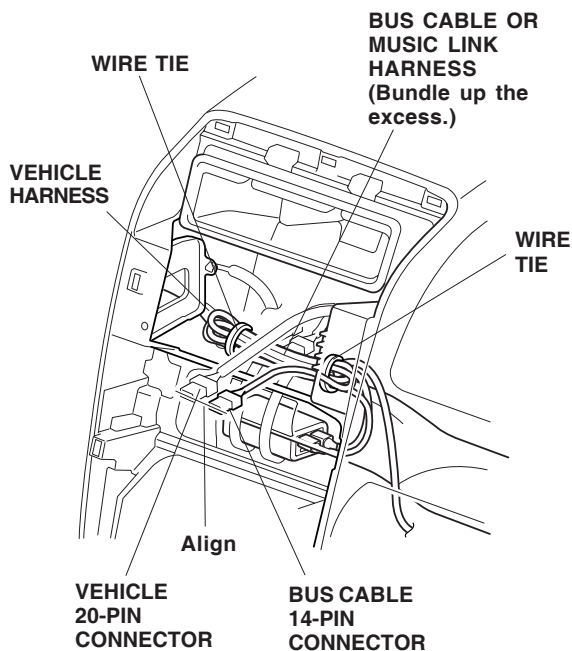


22. Secure the Music Link adapter assembly to the vehicle pipe with the two long wire ties.



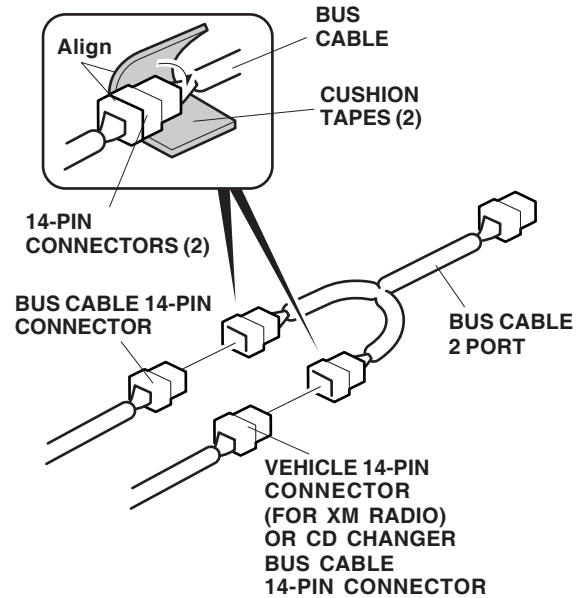
23. Secure the bus cable:

**Without XM Radio or CD Changer:** Align the bus cable 14-pin connector with the vehicle 20-pin connector. Bundle up the excess bus cable and Music Link harness, and secure the bus cable and Music Link harness to the vehicle harness with the two wire ties.



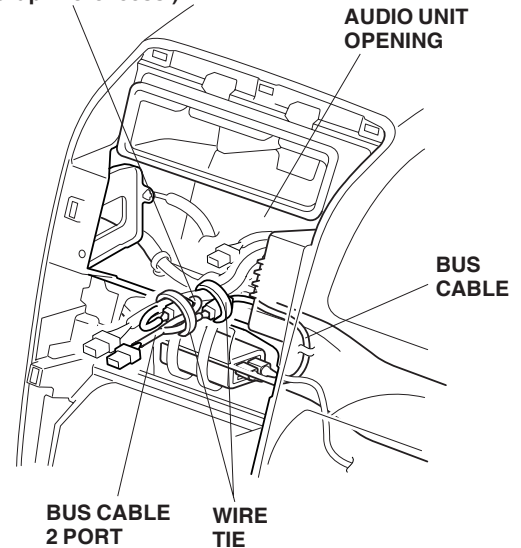
**With XM Radio or CD Changer:**

- Connect the bus cable 14-pin connector and vehicle 14-pin connector (for XM radio) or CD changer bus cable 14-pin connector to the bus cable 2 port 14-pin connectors.
- Attach one cushion tape around each bus cable 2 port 14-pin connector.



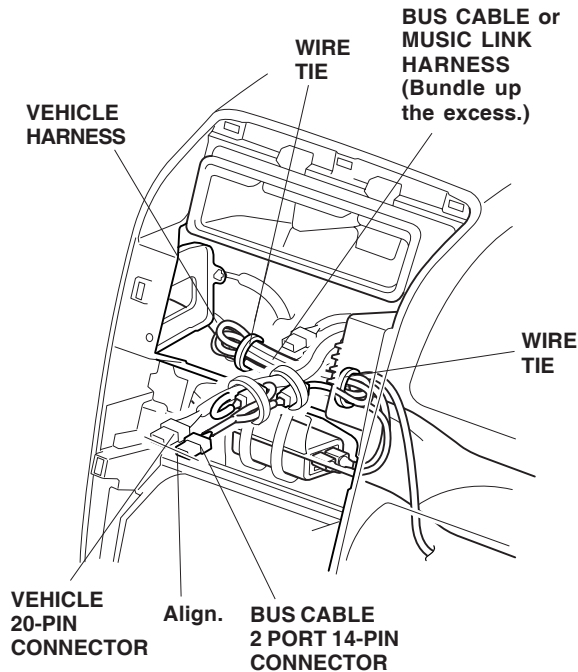
- Bundle up the vehicle harness or the CD changer bus cable. Secure the bus cable and bus cable 2 port with the two wire ties as illustrated.

**VEHICLE HARNESS OR CD CHANGER BUS CABLE (Bundle up the excess.)**

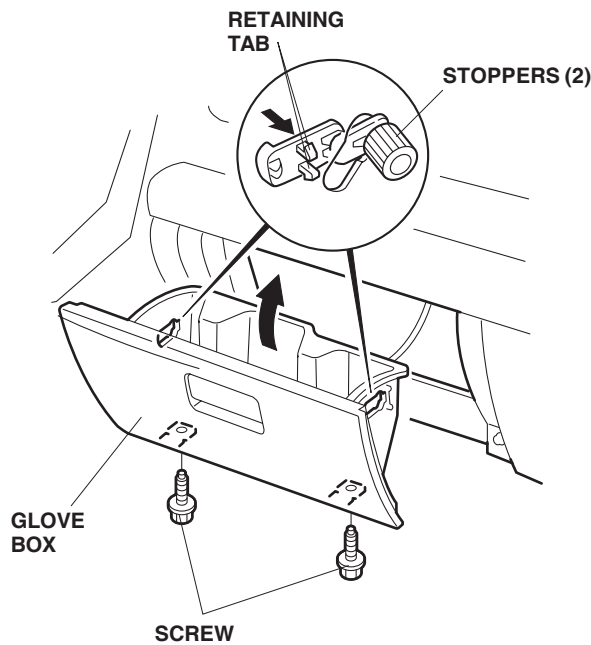




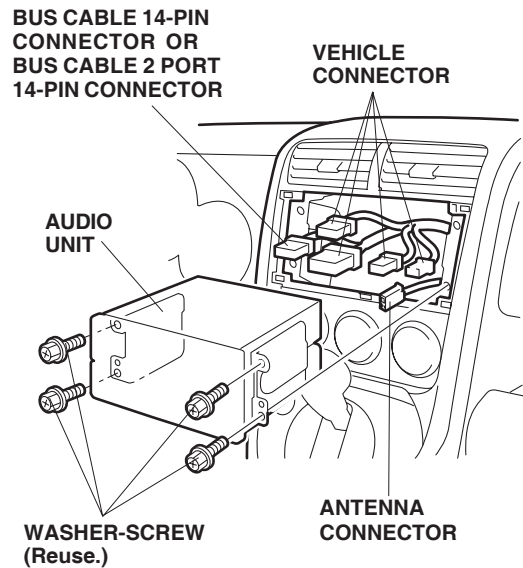
- Align the bus cable 2 port 14-pin connector with the vehicle 20-pin connector. Bundle up the excess bus cable and Music Link harness, and secure the bus cable and Music Link harness to the vehicle harness with the two wire ties.



- Reinstall the glove box.



- Connect the vehicle connectors and bus cable 14-pin connector (or bus cable 2 port 14-pin connector) to the audio unit, and reinstall the audio unit.



- Check that all wire harnesses are routed properly, and all connectors are plugged in.
  - Reconnect the negative cable to the battery.
  - Enter the customer's radio anti-theft code, and reset the radio station presets and the clock.
  - Reinstall all removed parts.
  - Turn the audio unit to ON. Check that "CD EJECT" is shown on the display while in the CD changer mode (the Music Link should be recognized as CD changer 4).
- NOTE: Whenever the battery is disconnected, the driver's window AUTO function is disable.
- Start the engine. Push down on the driver's window switch until the window is fully open.
  - Pull up on the driver's window switch fully to close the window completely, then hold the switch for 2 seconds or more.
  - Test the window AUTO function.